

# 503LF Bronze Gate Valve

## Specification Sheet

### FEATURES & BENEFITS

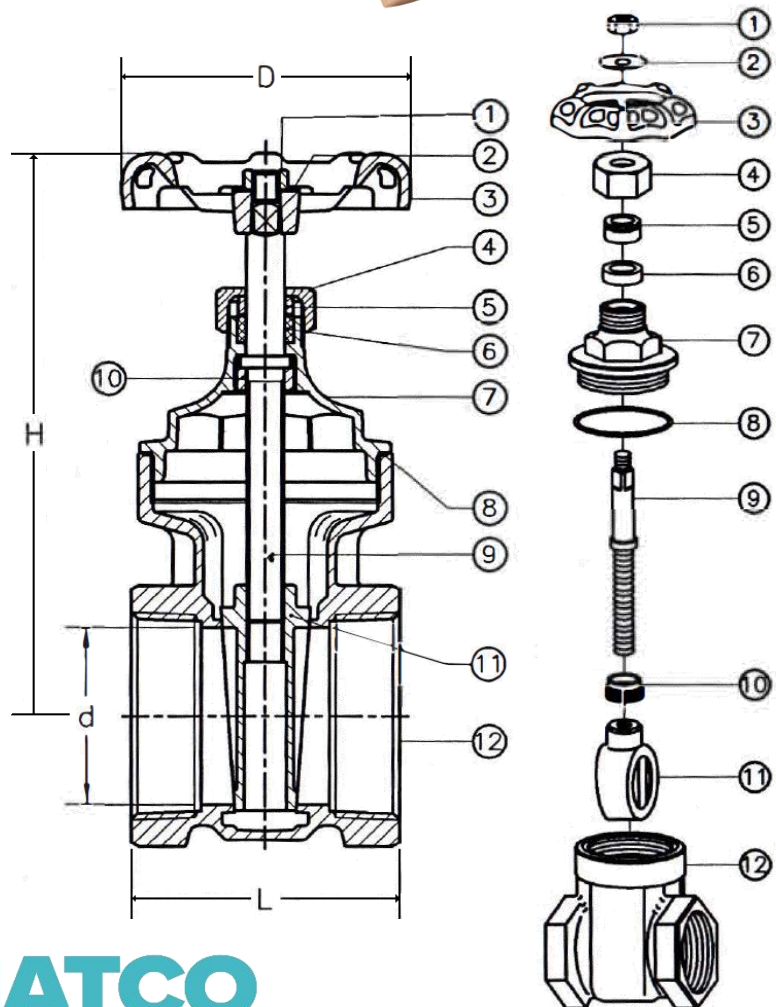
- Full Port
- Non-Rising Stem
- 300 WOG - 150SWP
- Threaded Bonnet
- NSF 61 and 372 Certified
- Threaded Ends Comply with ASME B1.20.1
- Valves Comply with MSS SP-61 and MSS SP-80
- Sizes 1/2" - 2"

### DIMENSIONS

Part #	Size	d	D	H	L
503T03LF	1/2"	0.53	2.09	2.92	1.71
503T04LF	3/4"	0.75	2.13	3.31	1.81
503T05LF	1"	0.99	2.48	3.90	2.13
503T06LF	1-1/4"	1.26	2.72	4.61	2.25
503T07LF	1-1/2"	1.50	3.15	5.08	2.44
503T08LF	2"	1.93	3.53	5.99	2.70

### MATERIAL SPECIFICATIONS

No.	Part	Material
1	Nut	Forged Brass C2600
2	Name Plate	Aluminum A1100
3	Handle	Cast Iron JIS ZZ2202
4	Packing Nut	Brass Rod C3770
5	Gland Ring	Brass Rod C3770
6	Packing	PTFE
7	Bonnet	Cast Bronze C83600
8	Packing	FIBRE
9	Stem	1/2"-2" Brass Rod C37700 2-1/2"-4" Cast Bronze C89844
10	Lock Nut	Brass Rod C46400
11	Disc	Cast Bronze C89844
12	Body	Cast Bronze C89844



**MATCO**  
**NORCA**