

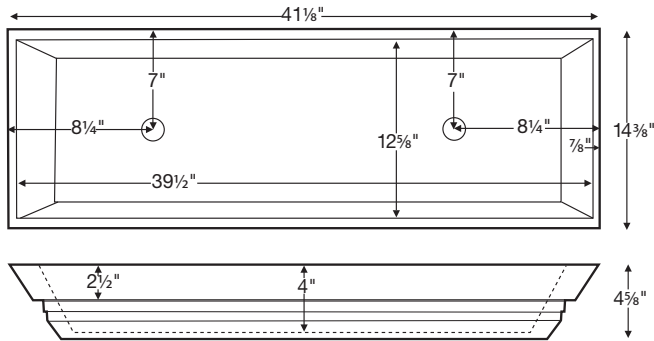


Petra 8 SR is a dual drain semi-recess sink.
For single drain, see Petra 7 SR, MTCS-748.

Petra 8 SR

Model # MTCS-750
41.125" x 14.375" x 4.625"

Material SculptureStone®
Installation semi-recessed
Shipping Weight 48 lbs.



When semi-recessed, the top 2 1/2" of the sink will rest on the counter.

Due to its handcrafted nature, always measure sink on-site to ensure cut-out accuracy.

Sink Options and Pricing

Part #: MTCS750 \$1,130
Packaging / Handling Fee Applies
Standard Color White, matte finish Biscuit Color Upgrade (SSBISNK) \$115 matte finish Additional material colors available for projects only. Please call MTI.
Hand-Polished Deep Gloss Finish Upcharge (SSGLOSSNK3) \$695 For White or Biscuit
Exterior Color \$315 (SSCOLSG) Gloss (SSCOLSM) Matte Must specify color code: Saphire Blue (SB), Blue Lagoon (BL), Terracotta (TC), Onyx (OX), Nightfall (NF), Stratus Gray (TG), Stormgray (SG), Moonstone (MS)
Quick Ship (QSPRI3) \$235 reduces lead time Please call for availability.

Options and Accessories

Teak Sink Tray Slatted (TKST1) \$155 Solid (TKST2) \$185
Drain Kits Finger Touch Drain Without Overflow Chrome (DKFGCN) \$160 , Brushed Nickel (DKFGBNN) \$175 Grid Drain Without Overflow Chrome (DKGDCN) \$105 , Brushed Nickel (DKGDBNN) \$165 Fixed Drain Without Overflow Chrome (DKFDC) \$280
Sink Bottom Cover matching material color Matte (BCLMT) \$630 , Gloss (BCLGL) \$765 Upcharge, Ext. Color for Sink Bottom Cover Matte (SSCOLSBM) \$240 Gloss (SSCOLSBG) \$240

CONSTRUCTION AND STANDARD FEATURES

- 1.5" drain opening. Comes without an overflow. Check local codes.
- One-piece construction using Engineered SculptureStone® (ESS) material.
- This material is non-porous, stain-, mold- and mildew-resistant.
- Approximately 70% of the material is organic, including minerals mined from the earth, making it "Green".
- Five-Year Limited Residential Warranty.



Also available, Petra Counter-Sink 8, featuring custom-size countertop with integrated bowl. Available only as a single bowl.

• Before discarding packaging, check for accessories that may be inside.
• All product measurements are ±1/2".
• Specifications and configurations are subject to change without notice.
• Measurements herein supersede all others published prior to publication date below.

