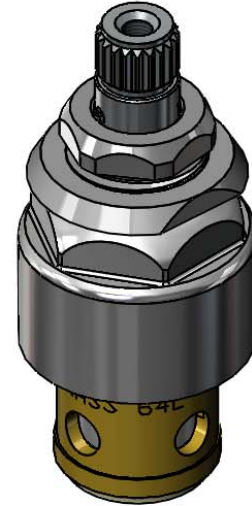
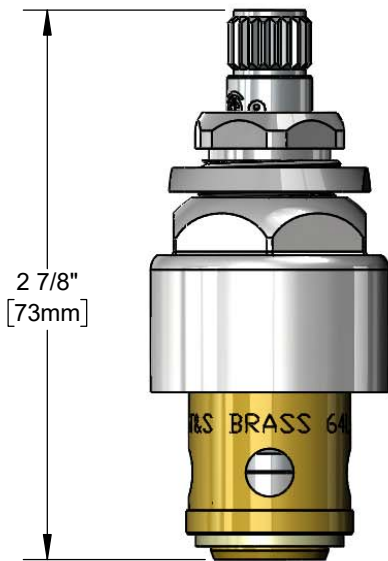




**Architect/Engineering Specifications:**

Concealed widespread EasyInstall Eterna, RTC with spring check. Certified to ASME A112.18.1 / CSA B125.1, NSF 61- Section 9 and NSF 372.

Job Name \_\_\_\_\_  
 Model Specified \_\_\_\_\_ Quantity \_\_\_\_\_  
 Variations Specified \_\_\_\_\_  
 Date \_\_\_\_\_



**Features & Benefits:**

- Concealed widespread EasyInstall quarter-turn Eterna compression cartridge, RTC with spring check to prevent cross of water
- Material: Brass

**Product Compliance:**

- ASME A112.18.1 / CSA B125.1
- NSF 61 - Section 9
- NSF 372 (Low Lead Content)



**Warranty:** One Year (Limited)



**Performance Data:**

- Pressure: 20 - 125 psi
- Temperature: 40 °F - 140 °F
- Flow Rate: 11.25 GPM @ 60 psi

