

Location: \_\_\_\_\_



# STR-PC

## DUCTILE IRON STRAINERS POWDER COATED

**Specification:** The Ductile Iron "Y" type strainer shall be in 125 Class and conform to ANSI B16.1, and both the body and access cover shall be made of Ductile Iron A536 65-45 12. The valve shall be supplied with a drain/blow-off connection with a ductile iron closure plug and will have an FDA approved epoxy coating inside and out. The integral strainer screen shall be accessible for cleaning without removing the device from the line.

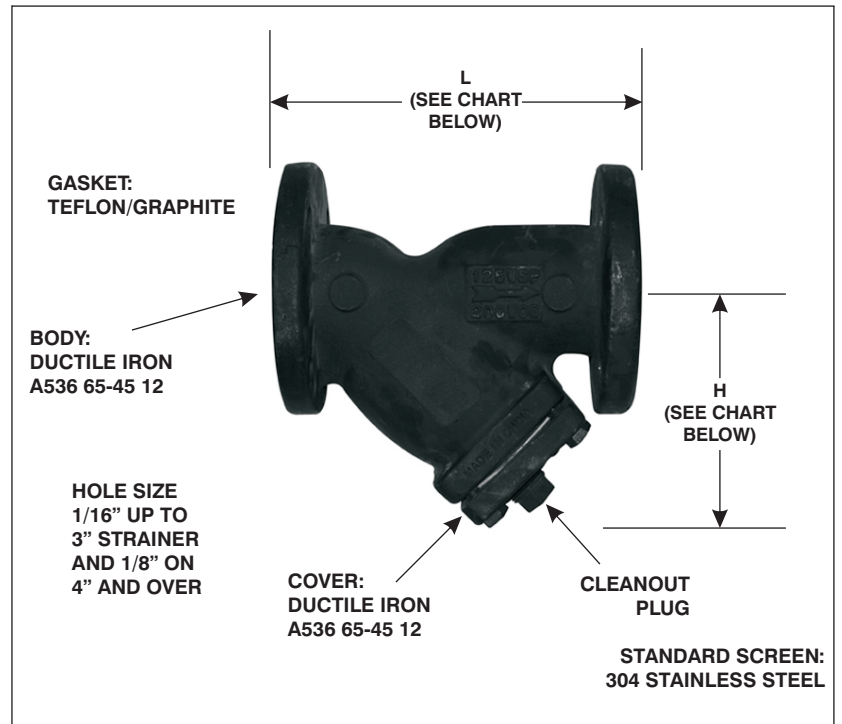
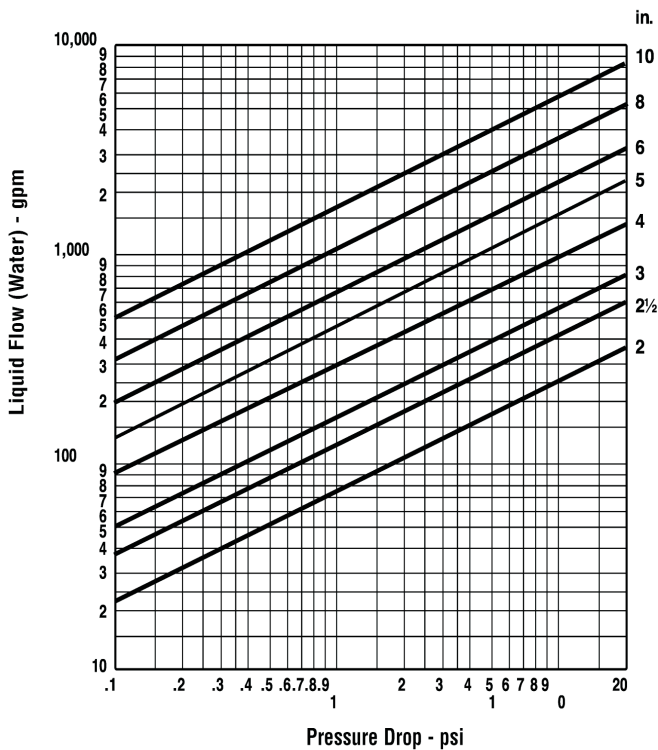
**Ratings:**

Working pressure PN16/Class 125.  
Temperatures to 270° F (120° C).

**Materials:**

Body: Ductile Iron A536 65-45 12  
Cover: Ductile Iron A536 65-45 12  
Gasket: Teflon/Graphite  
Standard Screen: 304 Stainless Steel  
Hole Size 1/16" up to 3" strainer and 1/8" on 4" and over

**Flow/Pressure Drop Chart**



Model No.	Size	L	H	Plug
STR2.00-IRON-FLG-PC	2"	9 1/16"	5 3/4"	1/2"
STR2.50-IRON-FLG-PC	2 1/2"	11 5/8"	6 7/8"	1"
STR3.00-IRON-FLG-PC	3"	11 5/8"	7 3/4"	1"
STR4.00-IRON-FLG-PC	4"	13 7/8"	9 1/8"	1"
STR6.00-IRON-FLG-PC	6"	18 1/2"	12"	1 1/2"
STR8.00-IRON-FLG-PC	8"	21 3/8"	15 3/4"	1 1/2"
STR10.00-IRON-FLG-PC	10"	18 5/8"	18 5/8"	2"

Job Name: \_\_\_\_\_ Page No: \_\_\_\_\_  
 Section No: \_\_\_\_\_ Contractor: \_\_\_\_\_  
 Schedule No: \_\_\_\_\_ Purchase Order No: \_\_\_\_\_

BEECO reserves the right to make changes in material and design without formal notice and obligation.