

## MIFAB MI-HUB / MI-QHUB NO HUB COUPLINGS INSTALLATION INSTRUCTIONS

The following installation instructions provide guidelines for joining MIFAB's MI-HUB / MI-QHUB Series of shielded no hub couplings to no hub pipe and fittings in accordance with standard industry practice.

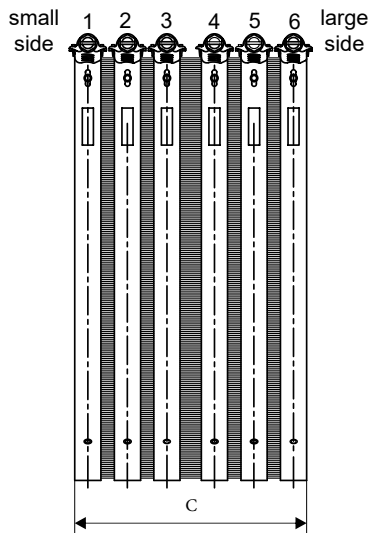
Note that each City, State, Province or Region may have governing codes, engineering requirements and local practices of the plumbing trade that must be followed.

A correctly calibrated torque wrench set at minimum 60 inch pounds should always be used when installing MIFAB's no hub couplings. If power tools are used, they should be calibrated to torque only to 60 inch pounds.

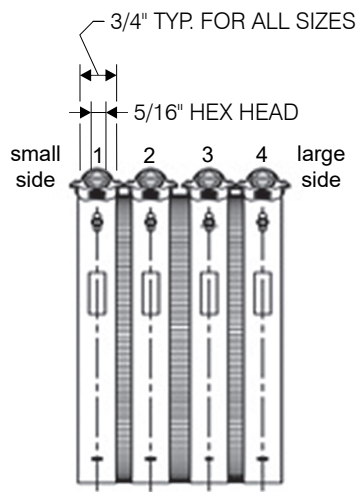
- 1) Ensure that the pipe ends are cut square.
- 2) Place the neoprene gasket onto the end of one piece of pipe / fitting and the stainless steel clamp assembly over the other piece of pipe / fitting to be joined.
- 3) Place the second piece of pipe end into gasket, firmly placing both ends against the rib or shoulder in the center of the gasket.
- 4) Ensure that the pipe / fittings to be joined are aligned, then slide the loose coupling over the gasket so that the gasket is completely covered.
- 5) For MIFAB's 2", 3" and 4" no hub couplings with two sealing bands, use a torque wrench to tighten the stainless steel screws 1-2 alternately to minimum 60 inch pounds torque.

MIFAB's 5", 6", 8", and 10" no hub couplings have four sealing bands. Tighten the bands 2,1 - 3,4 alternately, until a minimum 60 inch pounds of torque is attained for each one. (see Detail A).

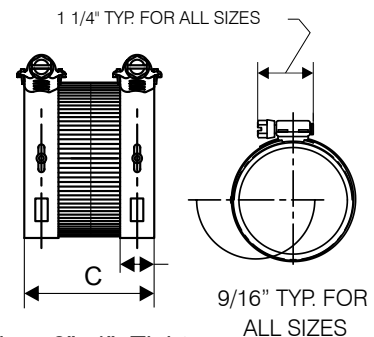
MIFAB's 12" no hub couplings have six sealing bands. Tighten the bands 3-2-1, - 4,5,6 alternately, until a minimum 60 inch pounds of torque is attained for each one. (see Detail B).



Size 12": Tighten bands alternately to minimum 60-inch pounds torque in the following sequence:  
3,2,1 - 4,5,6.



Sizes 5"-10": Tighten bands alternately to minimum 60-inch pounds torque in the following sequence: 2,1 - 3,4



Sizes 2"- 4": Tighten bands alternately to minimum 60-inch pounds torque, in the following sequence: 1-2.