

Utile 6030 Composite Direct-to-Stud Three-Piece Tub Wall Kit

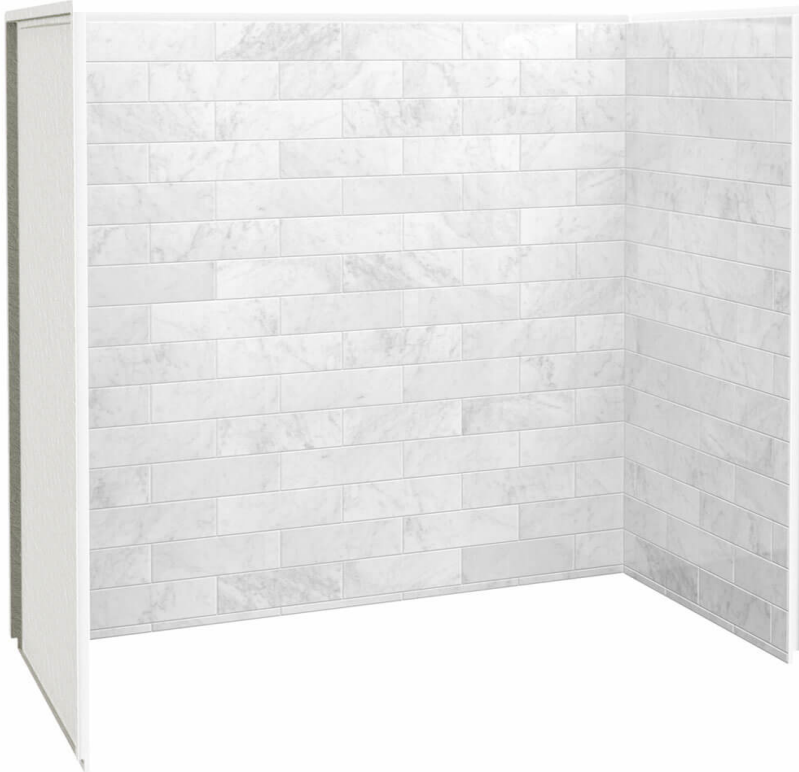
Model number:

103424-307-508-000

Dimensions: 60" x 30" x 60"

Installation: Direct-to-Stud

Material: Composite



Standard Features:

- Tub shower kit includes: 1 back wall, 2 side walls and one corner glass shelf
- 4 H x 12 L in. glossy timeless subway tile featuring a Tux, Permafrost, Loam, Clay or Carrara color
- Direct-to-stud installation
- Installs easily in just 1 day versus 3 days for standard ceramic tile
- Mistake-proof Ulok installation system allows you to perfectly align the panels, slip them together and lock them into place
- Proudly made in North America

Product characteristics:

- Designer Series
- Direct-to-Stud Installation
- Award Winner

Certifications

MAAX products adhere to one or more of the following certifications:



MAAX

Utile 6030 Composite Direct-to-Stud Three-Piece Tub Wall Kit

Model number:

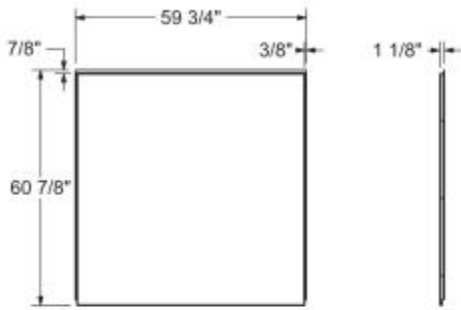
103424-307-508-000

Dimensions: 60" x 30" x 60"

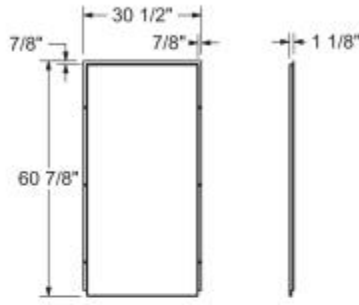
Installation: Direct-to-Stud

Material: Composite

BACK WALL



SIDE WALL



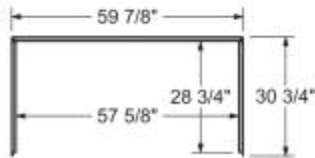
Dimensions

60 x 30 x 60 In.
(1524 x 762 x 1524 mm)

Weight

125 lbs - 57 kg

TOP VIEW (ASSEMBLED)



This product is designed to be installed in a building that conforms with the requirements of the National Building Code of Canada 2005.
All dimensions are approximate. Structure measurements must be verified against the unit to ensure proper fit.

Project:

Contractor:

Representative:

Date:

Tel:

Notes:

MAAX