

FIGHT THE GRIND™

LubriMatic®

LUBRICATION PRODUCTS & SOLUTIONS



LUBRIMATIC.COM

REV 5.4.22

SUPERCEDES CATALOGS
90127, 90600, & 90128

*MOVE
PRODUCTS
FOR ANY
ENVIRONMENT*



CONTENTS

GREASE GUNS

4-14

GREASE GUN ACCESSORIES

15-21

GREASE FITTINGS & TOOLS

22-25

PUMPS / SIPHONS

26-31

OILERS / ADHESIVE GUNS

32-33

FILTER WRENCHES

34-37

FUNNELS

38-41

MEASURES / FILLERS

42-43

CONTAINERS / LIFT DRAINS

44-47

GREASE / OIL

48-53

PARTS INDEX

54-55



LEVER GREASE GUNS

30-200



STANDARD DUTY LEVER GREASE GUNS

Ideal for household and do-it-yourself automotive use. 2-way loading: 14 oz. cartridge or suction load. Includes 5-3/8" angled pipe and coupler. Develops up to 6,000 PSI. Delivers 1 oz./40 strokes.

30-200 Boxed. 5/master

30-203



An improvement of the 30-200, this gun has a textured barrel and rubber handle grip for added ease of use. 2-way loading: 14 oz. cartridge or suction load. Includes 5-3/8" angled pipe and coupler. Added bleeder valve and locking plunger provide for easier priming. Develops up to 6,000 PSI. Delivers 1 oz./40 strokes.

30-203 Boxed. 5/master

30-802



PRO/HEAVY DUTY LEVER GREASE GUNS

A step up from standard lever grease guns. Lightweight aluminum barrel and rubber handle make for easier use. 3-way loading: 14 oz. cartridge, bulk or suction. Includes 5-3/8" angled pipe, coupler and 12" flex hose. Added bleeder valve and locking plunger for easier priming. Develops up to 7,000 PSI. Delivers 1 oz./40 strokes.

30-802 Boxed. 10/master

PRO/HEAVY DUTY LEVER GREASE GUNS

Made for the punishing day-in and day-out service required by industrial customers. Variable/short stroke for easy use in confined areas. Dual port head cap with bulk loader fitting for 3-way loading: 14 oz. cartridge, bulk or suction. 5-3/8" pipe and coupler. Plated lever with comfortable oversized grip. Develops up to 10,000 PSI. Delivers 1 oz./22 strokes.

30-465 Zinc plated barrel. Boxed. 5/master

30-475 Painted barrel. Boxed. 5/master



30-465



30-475

EXTREME DUTY LEVER GREASE GUNS

Ultimate® Grease Gun equipped with 10" grease pipe, HD coupler, longer lever, barrel and lever-comfort grips, air bleeder valve, bulk loader fitting, variable/ short stroke and 3-way loading: 14 oz. cartridge, bulk or suction. Develops up to 10,000 PSI. Delivers 1 oz./12 strokes. Built to take extreme punishment.

30-480 Boxed 5/master

The Dual Piston Grease Gun provides the best of both worlds. High pressure output needed for dirty, blocked fittings easily switches to high volume to get the job done faster. 3-way loading: 14 oz. cartridge, bulk or suction. Includes 5-3/8" angled pipe with HD coupler, and 18" flex hose with HD coupler. Dual purpose bulk loader/bleeder fitting makes priming easier. The lightweight aluminum barrel and rubber handle grip make for more comfortable use. Develops up to 10,000 PSI. Delivers 1 oz./12 strokes.

30-804 Boxed. 5/master



30-480



30-804

PISTOL GREASE GUNS



30-300

STANDARD DUTY PISTOL GREASE GUNS

Easy one handed operation. 2 way loading: 14 oz. cartridge or suction load. Head cap port for adding air bleeder or bulk loader fitting. Equipped with 5-1/2" grease pipe and coupler. Develops up to 6,000 PSI. Delivers 1 oz./40 strokes.

30-300 Boxed. 5/master

30-310 Includes 12" Flex Hose. Boxed. 3/master



30-310

A cut above the 30-300, this gun adds a textured barrel and rubberized grip for ease of use and comfort. 2-way loading: 14 oz. cartridge or suction load. The added bleeder valve and locking plunger provide for easier priming. Equipped with 5-1/2" grease pipe and coupler. Develops up to 6,000 PSI. Delivers 1 oz./40 strokes.

30-303 Boxed. 5/master



30-303

PRO/HEAVY DUTY PISTOL GREASE GUNS

Features variable stroke for use in tight places. 3-way loading: 14 oz. cartridge, bulk or suction. Includes 18" flex hose with coupler, vinyl handle grip, air bleeder, and bulk loader fitting. Develops up to 7,000 PSI. Delivers 1 oz./40 strokes.

30-416 Boxed. 5/master



30-416

CONTINUOUS FLOW AIR OPERATED PISTOL GREASE GUN

Continuously pumps grease while trigger is depressed. 2-way loading: 14 oz. cartridge or suction load. Includes 5-3/8" pipe and coupler. Develops up to 3,600 PSI. Delivers 5 oz. per minute.

30-114 Boxed. 10/master



BATTERY OPERATED GREASE GUN

12 VOLT BATTERY GREASE GUN KIT

12-Volt NiCad Battery Operated Grease Gun Kit. Includes storage case, 1 hour quick charger, 30" flex hose, heavy duty coupler, and bleeder valve. 2-way loading: 14 oz. cartridge or suction load. Develops up to 7,700 PSI, delivers 2 oz. of grease per minute (4-6 tubes of grease per charge).

30-601 Storage Case. 1/master



12V BATTERY REPLACEMENT

30-602 12V Battery replacement. Boxed. 1/master



12V BATTERY CHARGER REPLACEMENT

30-603 Charger replacement. Boxed. 1/master



MINI GREASE GUNS

ECONOMY MINI GREASE GUNS

A compact "tool box" size grease gun perfect for hard to reach jobs. Barrel takes 3 oz. grease cartridge. Includes 4" straight pipe and coupler. Develops up to 3,500 PSI. Delivers 0.5 oz./40 strokes.

30-132 With LubriMatic® Multi-Purpose Lithium Grease. Display Pack. Clamshell. 10/master



30-132

GENERAL PURPOSE MINI GREASE GUNS

Small, versatile grease gun. Allows for front and top pipe placement. Pistol grip for easy one-handed use, and locking plunger for easy priming. Includes 5-1/2" straight pipe and coupler.

30-100 2-way loading: 3 oz. cartridge or suction load. Develops up to 4,000 PSI. Delivers 0.5 oz./40 strokes. Clamshell. Display pack. 4/master

30-193 2-way loading: 3 oz. cartridge or suction load. Develops up to 4,500 PSI. Delivers 0.5 oz./40 strokes. Bulk. 25/box

30-192 2-way loading: 3 oz. cartridge or suction load. Includes LubriMatic® Multi-Purpose Lithium Grease. Develops up to 4,500 PSI. Delivers 0.5 oz./40 strokes. Clamshell. 10/master

30-190 2-way loading: 3 oz. cartridge or suction load. Includes LubriMatic® Corrosion Control Trailer Wheel Bearing Grease. Develops up to 4,500 PSI. Delivers 0.5 oz./40 strokes. Clamshell. 10/master



30-100

30-193

30-192

30-190

HEAVY DUTY MINI GREASE GUN



This heavy duty mini grease gun offers more versatility than ever before by providing both a 4" grease pipe and a 12" flex hose with coupler. A coated handle and textured barrel provides a no-slip grip, and a locking plunger allows for easy priming. Develops up to 4,500 PSI. Delivers 0.5 oz./40 strokes.

30-800 Display Pack.
Clamshell. 10/master



QUICK RELEASE GREASE GUN

20V LITHIUM ION

THREADLESS DESIGN

EASY CARTRIDGE RELOAD & NEVER CROSSTHREADS

BRUSHLESS MOTOR

LIMITED LIFETIME GUARANTEE

INCLUDES TWO 20V
LITHIUM ION BATTERIES
WITH CHARGER

30-808 Storage Case. 1/master

- Working Pressure: 8,000 PSI
- 42" Flex Hose with High Pressure Coupler
- Automatic Bleeder Valve
- Variable Speed Trigger
- Balanced Grip Design
- Locking Plunger for Easy Priming
- Strap and Charger Included

30-808



**SEE IT IN
ACTION**



Patent No. 9297498 B1



SNAPLOCK® LEVER GREASE GUN

Includes 5-1/2" angled pipe, 18" flex hose and heavy duty coupler. Develops up to 10,000 PSI with pressure release valve. Delivers 1 oz./27 strokes.

30-806 Boxed. 5/master



SNAPLOCK® PISTOL GREASE GUN

Includes 5-1/2" straight pipe, 18" flex hose and heavy duty coupler. Develops up to 8,000 PSI. Delivers 1 oz./40 strokes.

30-807 Boxed. 5/master



SNAPLOCK® 20V LITHIUM ION BATTERY

Replacement battery for 30-808 SnapLock Battery Operated Grease Gun.

30-617 Clamshell. 1/master



SNAPLOCK® LITHIUM ION BATTERY CHARGER

Replacement charger for 30-808 SnapLock Battery Operated Grease Gun.

30-618 Clamshell. 1/master



42" FLEX GUARD GREASE HOSE

Replacement hose for 30-808 SnapLock Battery Operated Grease Gun.

30-619 Carded. 4/master

BEST IN CLASS IN THE GREASE GUN MARKET

The SnapLock® grease guns innovate the grease gun world with a patented "threadless" barrel and locking mechanism to secure the barrel in place. The aluminum barrels are lightweight to reduce fatigue during use. 3-way loading: 14 oz. cartridge, bulk or suction. An auto-bleeder valve and locking plunger make priming simple. Variable stroke for use in tight spaces.

ULTRAVIEW[®]

CLEAR TUBE, RIGHT LUBE[®]

CLEAR GREASE GUNS

LEVER GREASE GUN

3-way loading: 14 oz. cartridge, bulk or suction. Equipped with 5-1/2" pipe, 12" flex hose and coupler. Develops up to 10,000 PSI. Delivers 1 oz./27 strokes.

30-701 (Green) Boxed. 5/master

LS-CGG-BLK (Black)

LS-CGG-BLU (Blue)

LS-CGG-RED (Red)

LS-CGG-GRN (Green)

1/white box



PISTOL GREASE GUN

3-way loading: 14 oz. cartridge, bulk or suction. Equipped with 5-1/2" pipe, 12" flex hose and coupler. Develops up to 7,000 PSI. Delivers 1 oz./40 strokes.

30-720 (Red), 30-721 (Green) Boxed. 5/master

PG-CGG-BLK (Black)

PG-CGG-BLU (Blue)

PG-CGG-RED (Red)

PG-CGG-GRN (Green)

1/white box



SUCTION GUN

Visually see inside to determine amount of dirt or impurities in system. 16 oz. capacity. 12" clear hose. 9-3/4" stroke.

30-740 (Red) Boxed. 5/master



CROSS-CONTAMINATION IS THE CAUSE OF 60-80% OF BEARING FAILURES.

To stop cross-contamination the answer is *clear*.

ULTRAVIEW® CLEAR TUBES

Fits 2.280-16 UNS non-standard threads.

- Alemite 500, 590, 525
- Lincoln 1132, 1133, 1134 (new models), 1142, 1145, 1147, 1148
- Zee Line 444, 610, 613, 619, 620, HD4, HD4A

Available in four colors for your grease gun.

30-750 (Red)

30-751 (Green)

30-753 (Black)

30-754 (Blue)

Boxed. 10/master



LUBE POINT POSITIVE ID SYSTEM (LPPID)

LPPID is a patent-pending color coordinating system that matches the Zerk fitting to the color of the UltraView® clear grease gun tube. 2 sizes available, 4 colors each (part numbers below). 25 per bag.



Fits 1/4" -28 grease fittings	30-760	30-761	30-763	30-764
Fits 1/8" NPT grease fittings	30-770	30-771	30-773	30-774



MISCELLANEOUS GREASE GUNS



JIFFY LUBER W/PUSH TYPE ADAPTER

Designed for quick grease jobs. Squeeze tubes (not included) fit into the zinc die-cast body for easy dispensing. Includes 2-11/16" pipe.

30-195 Carded. 10/master



HANDI-GRIP PISTOL LUBER®

All-purpose gun attaches to squeeze tubes of grease (not included). Includes spring-returned plated steel lever, zinc die-cast body, riveted plated steel link, 12" flex hose, and standard duty coupler.

30-197-07 Bulk. 25/box



SUCTION GUN

Designed for draining and filling non-corrosive liquids. Barrel holds approximately one pint with 9" stroke. Features 12" plastic hose and durable corrosion-resistant finish.

30-118 Boxed. 10/master

GREASE GUN HOSES & PIPES



STANDARD DUTY FLEXIBLE GREASE HOSES

For use on hand operated grease guns only. 1/8" NPT male fittings on each end. Recommended working pressure is 4,500 PSI.

10-200 12" Length. Carded. 10/master

10-201 18" Length. Carded. 10/master



PRO/HEAVY DUTY FLEXIBLE GREASE HOSES

For use on hand operated grease guns only. Steel 1/8" NPT male fittings on each end. Recommended working pressure is 6,000 PSI.

10-212 12" Length. Carded. 10/master

10-214 12" Length. Bulk. 10/box

10-218 18" Length. Bulk. 10/box

10-219 18" Length. Carded. 5/master

30-111-07 6" Length. Bulk. 200/box



EXTREME DUTY FLEXIBLE GREASE HOSES

Heavy duty, nylon braided, high quality thermoplastic grease hose with bend restrictor for air operated systems, 1/8" NPT male fittings on each end. Recommended working pressure is 10,000 PSI.

10-512 12" Length. Carded. 5/master

10-514 18" Length. Carded. 10/master

10-536 36" Length. Carded. 12/master

30-619 42" Length. Carded. 4/master



5-3/8" CURVED GREASE PIPE

Standard length pipe with 1/8" pipe thread on each end. 30° angle. Recommend working pressure is 8,000 PSI.

05-061 Carded. 10/master

COUPLERS

QUICK CONNECT

LOCKING COUPLER



05-026

Carded. 5/master

The quick connect coupler easily attaches and disconnects from fittings with one simple motion. The coupler conveniently swivels 360° for access to any fitting location. Solid steel construction allows the coupler to build up to 8,000 PSI and still disconnect with ease. 1/8" NPT.



STANDARD DUTY COUPLER

Standard jaw-type coupler feature spring-loaded ball check valve. Fits 1/8" NPT threads. For hand operated lube equipment only. Recommended working pressure is 4,500 PSI.

05-031 Carded. 10/master

05-031-2 2 Pack. Carded 10/master

05-031-6 6 Pack. Carded. 10/master

05-028 Bulk. 10/box

05-030 Bulk. 100/box



PRO/HEAVY DUTY COUPLER

All steel construction for increased pressures. For hand operated grease guns only. Recommended working pressure is 6,000 PSI. Fits 1/8" NPT threads.

05-035 Carded. 10/master

05-034 Bulk. 10/box



EXTREME DUTY COUPLER

Designed for use with air powered equipment as well as hand guns. Heavy duty construction withstands higher pressures. Recommended working pressure is 10,000 PSI. Fits 1/8" NPT threads.

05-036 Carded. 10/master

05-038 Bulk. 25/box



90° GREASE COUPLER ADAPTER

For hard-to-reach grease fittings on cars, trucks and other equipment. Ideal for lubrication of front wheel drive vehicles. Complete with both small and large sleeves to fit all standard couplers. For hand operated grease guns only. Recommended working pressure is 4,500 PSI.

05-059 Carded. 5/master



RIGHT ANGLE COUPLER

Designed for hard-to-reach grease fittings, this 90° coupler with hex head greases fittings in confined spaces. 1/8" NPT female inlet. Recommended working pressure is 1,000 PSI.

05-058 Carded. 5/master



180° SWIVEL COUPLER

Designed to lock at any angle up to 180°. Spring-loaded sleeve locks coupler in place for straight applications or slides back for angular application. Has an 8" overall length and corrosion-resistant finish. For hand operated grease guns only. 1/8" NPT male inlet. Recommended working pressure is 3,000 PSI.

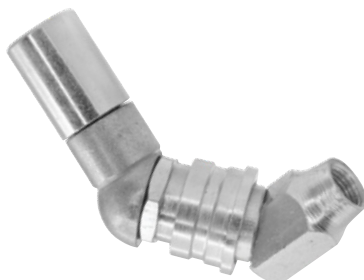
05-050 Carded. 10/master



360° SWIVEL COUPLER

Swivels in a full 360° circle and locks in place. 45° angle gives easy access to most grease fittings. Comes with standard grease coupler and 1/8" NPT female inlet for extension pipe. For hand operated grease guns only. Recommended working pressure is 4,500 PSI.

05-057 Carded. 5/master



360° HEAVY DUTY SWIVEL COUPLER

For use with air operated equipment. Swivels in full 360° circle and locks in place. 45° angle gives easy access to most grease fittings. 1/8" NPT female inlet. Recommend working pressure is 6,500 PSI.

05-052 Carded. 5/master



BUTTON HEAD FITTING COUPLER

Specially designed for button head grease fittings. 1/8" NPT female inlet. Zinc-plated steel.

05-048 Carded. 5/master
For 5/8" button head fittings

05-049 Carded. 5/master
For 7/8" button head fittings

GREASE GUN ACCESSORY KITS

Commonly needed accessories all in one reusable case. Kit includes 6" flexible whip hose, standard grease coupler, bleeder valve, rubber seal-off dispenser, grease injector needle, needle nose dispenser and grease coupler cap.

7 PIECE ACCESSORY KIT

05-060 Reusable box.
Display Pack. 6/master

INCLUDES

- 6" Flex Hose
- Seal-Off Dispenser
- Grease Gun Coupler
- Air Bleeder Valve
- Needle Nose Dispenser
- Injector Needle
- Grease Gun Coupler Cap



27 PIECE ACCESSORY KIT

05-065 Includes 20 assorted fittings. Reusable Box.
Display Pack. 6/master

INCLUDES

- 6" Flex Hose
- Seal-Off Dispenser
- Grease Gun Coupler
- Air Bleeder Valve
- Needle Nose Dispenser
- Injector Needle
- Grease Gun Coupler Cap
- 20 Assorted Grease Fittings (1/4" x 28, 1/8 NPT and 6 mm)

GREASE GUN ACCESSORIES

GREASE GUN HOLDER

Designed for wall mounting with 2 screws (not included). Center latch locks. Corrosion-resistant finish.

70-901 Carded. 5/master

70-902 Bulk. 25/box

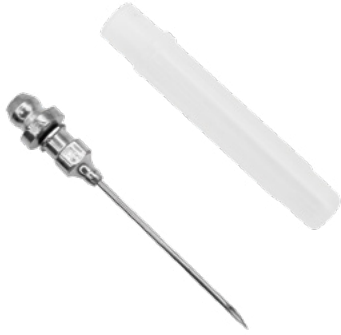


GREASE GUN BRACKET

High tension spring and durable steel plate hold grease guns securely in place. Corrosion resistant finish.

70-904 Labeled. 2/master

GREASE GUN ACCESSORIES



GREASE INJECTOR NEEDLE

Lubricates in very tight places such as universal joints and sealed bearings. Tempered steel 18 gauge x 1-1/2" long needle. Equipped with standard grease fitting and protective plastic cover. For hand operated grease guns only.

05-037 Carded. 10/master

10-524 on 12" hose.
Carded. 5/master



SEAL-OFF DISPENSER

Use for lubricating cars with grease plugs. Oil and grease resistant rubber tip. 1/8" NPT female inlet. For hand operated grease guns only.

05-041 Carded. 10/master



NEEDLE TIP ADAPTER

For chain saws, universal joints, bicycles, etc. For hand operated grease guns only.

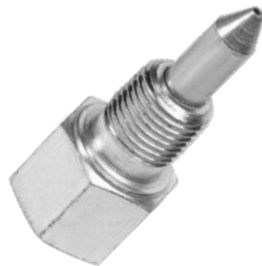
05-042 Carded. 10/master



PUSH TYPE ADAPTER

For hard to reach fittings on cars, trucks, and other equipment. Equipped with a slide on locking sleeve, it quickly connects to any standard coupler. Simple push engagement with fittings makes for quick use.

05-021 Carded. 10/master



1/2" NEEDLE NOSE DISPENSER

Dispenses a fine line of grease. .55" needle length. .046" tip diameter and .20" body diameter. For hand operated grease guns only. 1/8" NPT female.

05-045 Carded. 10/master



BEARING PACKERS

For use with either hand operated or power lube equipment. Threaded center post for positive locking of wheel bearing.

70-025 Steel. 1/2" to 5" OD, 2" height bearings. Carded. 5/master

70-026 Plastic. 1/2" to 4-1/4" OD, 2" height bearings. Carded. 3/master

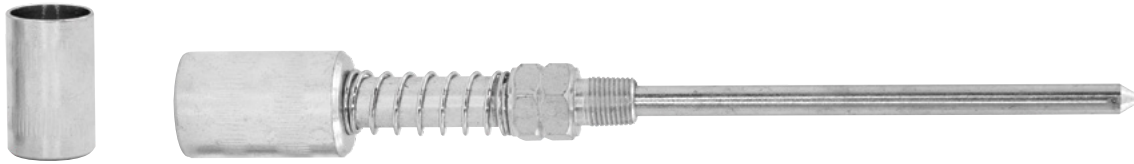
GREASE GUN ACCESSORIES



1.5" NEEDLE NOSE DISPENSER

Hardened steel tip and 1-1/2" length dispenses a fine line of grease. Ideal for hard-to-reach jobs. .046" tip diameter and .16" body diameter. For hand operated grease guns only. 1/8" NPT female.

05-019 Carded. 10/master



4" NEEDLE NOSE ADAPTER

Perfect for use on trucks, vans and RVs. For converting jaw-type lube couplers to steel needle points. Dispenses fine line of grease. Includes both small and large sleeves to fit all standard couplers. Overall length 7-1/8", tip diameter .046", body diameter .250" For hand operated grease guns only.

05-025 Carded. 10/master



AIR BLEEDER VALVE

Quickly vents air pockets in grease guns. Zinc-plated, easy to use. 1/8" NPT male fitting.

05-039 Carded. 10/master



GREASE GUN LOADER FITTINGS

Use in grease gun heads for bulk loading. Zinc-plated. 1/8" NPT male fitting.

05-047 Carded. 10/master

GREASE FITTING TOOLS



LARGE 4-WAY GREASE FITTING TOOL

Designed for 1/8" NPT fittings. Tap repairs 1/8" NPT threads. Wrench removes 7/16" and 3/8" hex fittings and plugs. Wrench installs new fittings. 1/8" NPT "easy-out" removes broken fittings.

11-904 Carded. 5/master

11-902 Bulk. 25/box



SMALL 4-WAY GREASE FITTING TOOL

Designed for 1/4"-28 and 6mm fittings. Tap repairs 1/4"-28 threads. Wrench removes 5/16" and 3/8" hex fittings and plugs. Wrench installs new fittings. 1/4"-28 "easy-out" removes broken fittings.

11-903 Carded. 10/master



STRAIGHT DRIVE GREASE FITTING TOOL

For straight drive-in fittings; 4-1/2" long, 11/16" diameter.

11-912 Carded. 5/master



IMPACT FITTING CLEANER

Simple to use cleaner for dirty, blocked grease fittings. Includes 6" flexible hose for hard to reach fittings.

11-917 Storage Case. 3/master

GREASE FITTINGS



STANDARD GREASE FITTING ASSORTMENT – 8 PIECE

1/4"-28 standard fittings on blister card. Includes 4 straight, 2 at 45° angle and 2 at 90° angle.

11-955 Carded. 10/master



METRIC GREASE FITTING ASSORTMENT – 8 PIECE

6mm x 1 metric fittings on blister card. Includes 4 straight, 2 at 45° angle and 2 at 90° angle

11-957 Carded. 10/master



GREASE FITTINGS



STANDARD GREASE FITTING ASSORTMENT – 50 PIECE

1/4"-28 grease fittings packed in transparent box. Includes 25 short straight, 5 long straight, 10 at 45° angle and 10 at 90° angle.

11-951 Boxed. 10/master



PIPE THREAD GREASE FITTING ASSORTMENT – 50 PIECE

1/8" NPT grease fittings, packed in transparent box. Includes 30 straight, 10 at 45° angle and 10 at 90° angle.

11-954 Boxed. 10/master



DELUXE GREASE FITTING ASSORTMENT – 100 PIECE

1/8" NPT and 1/4"-28 grease fittings packed in transparent box. 1/8" NPT fittings include 30 straight, 2 at 30° angle, 5 at 45° angle, 5 at 65° angle and 3 at 90° angle. 1/4"-28 fittings include 40 straight, 10 at 45° angle and 5 at 90° angle.

11-953 Boxed. 10/master

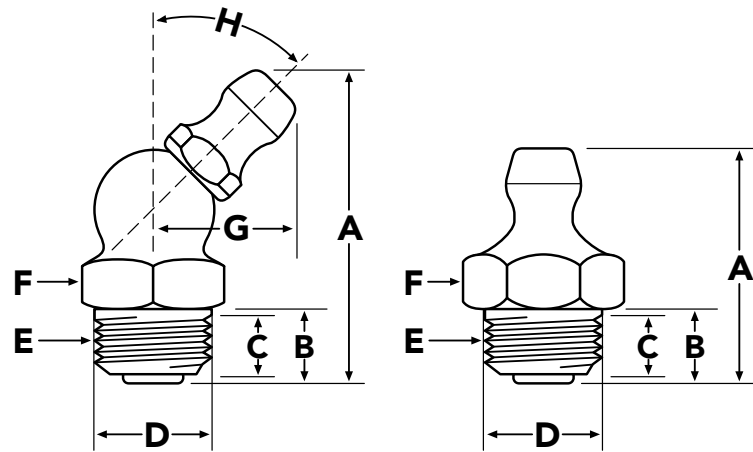


100 PIECE METRIC GREASE FITTING KIT

6mm, 8mm, and 10mm grease fittings packed in transparent box. 6mm fittings include 40 straight, 6 at 45° angle, and 6 at 90° angle. 8mm fittings include 12 straight, 6 at 45° angle, and 6 at 90° angle. 10mm fittings include 12 straight, 6 at 45° angle, and 6 at 90° angle.

11-956 Boxed. 20/master

SIZES & SPECIFICATIONS



5 PACK	10 PACK	BOX 50	BOX 100	BOX 1000	DESCRIPTION	A	B	C	D	E	F	G	H
SAE FITTINGS													
-	11-151	-	11-150	-	1/8" NPT STRAIGHT, SHORT	21/32	9/32	3/16	13/32	1/8 NPT	7/16	-	-
11-159	-	-	11-218	-	1/8" NPT 45° ANGLE	55/64	19/64	7/32	13/32	1/8 NPT	7/16	29/64	45°
11-167	-	11-166	-	-	1/8" NPT 90° ANGLE	27/32	19/64	7/32	13/32	1/8 NPT	7/16	1/2	90°
11-201	-	-	11-226	-	1/4" NPT STRAIGHT	7/8	27/64	5/16	17/32	1/4 NPT	9/16	-	-
-	11-101	-	11-100	11-103	1/4"-28 STRAIGHT, SHORT	35/64	3/16	7/64	1/4	1/4-28 SAE-LT	5/16	-	-
-	11-105	-	11-104	-	1/4"-28 45° ANGLE	13/16	13/64	9/64	1/4	1/4-28 SAE-LT	3/8	13/32	45°
-	11-113	11-112	-	-	1/4"-28 90° ANGLE	3/4	13/64	5/32	1/4	1/4-28 SAE-LT	3/8	1/2	90°
METRIC FITTINGS													
11-301	-	-	-	-	6 MM - 1.0 METRIC STRAIGHT	39/64	15/64	5/32	15/64	6 MM-1P	7 MM	-	-
11-305	-	-	-	-	6 MM - 1.0 METRIC 90° ANGLE	47/64	13/64	5/32	15/64	6 MM-1P	9 MM	1/2	90°
11-311	-	-	-	-	8 MM - 1.0 METRIC STRAIGHT	21/32	15/64	5/32	5/16	8 MM-1P	9 MM	-	-
11-313	-	-	-	-	8 MM - 1.0 METRIC 45° ANGLE	59/64	13/64	5/32	5/16	8 MM-1P	9 MM	13/32	45°
11-315F	-	-	-	-	8 MM - 1.0 METRIC 90° ANGLE	23/32	13/64	5/32	5/16	8 MM-1P	9 MM	1/2	90°
11-321	-	-	-	-	10 MM - 1.0 METRIC STRAIGHT	21/32	15/64	5/32	25/64	10 MM-1P	11 MM	-	-
THREAD FORMING FITTINGS													
-	-	-	-	11-432	1/4"-28 SPECIAL TAPER DRIVE	17/32	13/64	1/8	1/4	1/4-28	5/16	-	-
DRIVE FITTINGS													
-	11-438	-	-	-	3/16" STRAIGHT DRIVE	17/32	1/4	-	3/16	-	5/16	-	-
-	11-453	-	-	-	5/16" STRAIGHT DRIVE	35/64	1/4	-	5/16	-	3/8	-	-

PUMPS & SIPHONS

BOTTLE PUMPS & ADAPTER FITTING

55-001



4cc pump for adding oil and other fluids to small engines and marine lower units. Flexible hose for hard-to-reach fill plugs. Intended for quart sized bottles.

55-001 Clamshell. 12/master

55-005 3/8"-16 swivel metal marine filler fitting. Clamshell. 6/master

55-007 3/8"-16 plastic marine filler fitting. Clamshell. 12/master

55-012 Fitting only. Tohatsu, Nissan and Honda (2-50 hp) lower units. 3/8"-16 female thread. 8 mm x 1.25" male thread. Carded. 5/master



55-012

55-005



55-007



SIPHON HOSE

Multi-purpose all rubber siphon hose. 6' length. Rubber bulb makes it easy to start flow of liquid. Ideal for home, garden, boat, shop or garage. Transfers, drains or pumps all types of liquid including gasoline.

75-847 Bagged. 10/master



75-847

FLUID LUBRICANT PUMPS



55-440

55-441

LEVER ACTION DISPENSER

For transfer of transmission, differential and heavier fluids. Self priming. Delivers 3 oz. per stroke. Complete with 4 ft. oil-resistant hose and drum pail cover. Fits open head pails/drums.

55-440 For 5 gallon/35 lb. pail.
Boxed. 1/master

55-441 For 16 gallon/120 lb. pail.
Boxed. 1/master



MARINE LOWER UNIT PAIL PUMP

For bulk filling of marine lower units and stern drives. Delivers 3 oz. per stroke. Complete with threaded fitting for domestic standard lower units. Fill adapter for other engines available (see 55-012, page 26). Fits 5 gallon/35 lb. pail.

55-011 Boxed. 1/master



BEARING PACKER GREASE PUMP

Hand operated, portable bearing packer. Ideal for packing several bearings in a short amount of time. For all car, boat, trailer and RV bearings having a minimum ID of 1/2" to a maximum OD of 5". Height of 1/4" to 2". Rugged steel construction. Fits 35–50 lb./5 gallon plastic pails. Includes follower plate.

55-107 Boxed. 1/master



GREASE GUN FILLER PUMP

Includes filler adapter for LubriMatic® bulk loader fittings. Equipped with follower plate, pail cover and filler adapter cap to prevent grease contamination. Fits 35-50 lb./5 gallon pails.

55-117 Boxed. 1/master

TRANSFER PUMPS



MULTI-PURPOSE TRANSFER PUMP

The multi-use fluid transfer pump is a versatile pump for liquid transfer and air inflation. Ideal for siphoning gas or changing oil. May also double as an inflator for sports balls, air mattresses, and small tires. Pump includes two 50" liquid transfer hoses, 16" air hose, and the necessary nozzles and accessories.

75-846 Clamshell. 6/master



HAND TRANSFER PUMP

Ideal for transfer from one container to another, also for draining oils and other fluids. Hand operated, self-priming. Great for farm, home, automotive and factory use. Heavy duty steel construction. 8 ft. tubes (.50" ID x .63" OD) for suction and discharge of fluids up to 90 wt. Double check valve. Approximately 1 gallon per 8 strokes.

30-108 Boxed. 6/master

ROTARY BARREL PUMPS



STANDARD ROTARY BARREL PUMP

For transferring non-corrosive petroleum-based fluids of light to medium viscosity. For industrial, commercial, automotive and agricultural applications. Single direction 2-vane pump with rugged cast iron housing and 42" steel suction pipe. Spout OD 1-1/16".

55-303 Boxed. 1/master

99-105 Replacement Bung Adapter. Bagged. 1/master

99-106 Replacement Crank Handle. Bagged. 1/master

PULL-UP BARREL PUMPS

STEEL BARREL PUMP

55-017 Fits 30-55 gallon drums. Boxed. 1/master



NYLON BARREL PUMP

55-019 Fits 30-55 gallon drums. Boxed. 10/master



5-GALLON PAIL PUMP

55-141 Boxed. 3/master



LEVER OPERATED BARREL PUMPS

55-123

55-124
55-125

HEAVY DUTY BARREL PUMP

2-piece telescoping suction tube fits 30–55 gallon drums. Dispenses approximately 10 oz. per stroke. Standard bung adapter, all steel foot valve and piston valve. Spout OD 3/4". Standard garden hose thread discharge spout.

55-123 Boxed. 1/master

PROFESSIONAL BARREL PUMP

Lever style barrel pump with non-drip sprout. Equipped with brass rings and floating piston design. Self-adjusting telescopic suction tube. Designed to pump all lubrication-based fluids, antifreeze, agricultural and industrial non-corrosive fluids. Dispenses approximately 12 oz. per stroke. Fits 30–55 gallon drum.

55-124 With standard lever handle. Boxed. 1/master

55-125 With multi-directional handle. Boxed. 1/master



PLASTIC BARREL PUMPS

MADE FOR DEF



ROTARY BARREL PUMP

Fits 5–55 gallon drums. Heavy duty chemical resistant construction and seals enable this pump to be used with DEF, fuel, water base and acidic solutions. Delivers 6 gallons per 100 revolutions. Spout OD 1-1/16".

55-155 Boxed. 4/master

LEVER BARREL PUMP

Fits 5–55 gallon drums. Heavy duty chemical resistant construction and seal enable these pumps to be used with DEF fuel, water base and acidic solutions. Self-adjusting telescopic suction tube. Delivers 9 oz. per stroke. Spout OD 7/8".

55-156 Boxed. 4/master



PUMPS & SIPHONS

PUMP APPLICATION CHART

ITEM NO.	TYPE	MATERIAL TO BE PUMPED	MATERIAL NOT TO BE PUMPED
30-108	HAND HELD TRANSFER PUMP STYLE STEEL CONSTRUCTION & VINYL HOSE	OIL-BASED FLUIDS	WATER-BASED FLUIDS, SOLVENTS, WEAK ACIDS, ANTIFREEZE, GASOLINE*/ DIESEL FUEL
55-001 55-005 55-007 55-012	BOTTLE, PUSH PUMP STYLE	OIL-BASED FLUIDS	GASOLINE, DIESEL, ACIDS OR BASES
55-017	ROD STYLE STEEL PISTON / VALVES NO RUBBER PACKING OR SLEEVES	OIL-BASED FLUIDS	WATER-BASED FLUIDS, WEAK ACIDS, ANTIFREEZE, GASOLINE*/ DIESEL FUEL
55-019	ROD STYLE STAINLESS STEEL PISTON	ACETATES, AMMONIA, BENZENE, KETONES, LACQUERS, LACQUER SOLVENTS, DEF, METHANOL, TOLUENE AND THINNERS, GASOLINE. DIESEL, AND SOME ACIDS	BLEACH, CITRIC ACID, CHLORINE, SODIUM CHLORIDE, HYDROCHLORIC ACID. SEE CHEMICAL COMPATIBILITY CHART
55-123 55-124 55-125	LEVER STYLE STEEL PISTON/BRASS RINGS	OIL-BASED FLUIDS ANTIFREEZE WINDSHIELD WASHER FLUID	WATER-BASED FLUIDS, SOLVENTS, WEAK ACIDS, GASOLINE*/ DIESEL FUEL
55-155	ROTARY BARREL STYLE CHEMICALLY RESISTANT MATERIALS	ACIDS, ALKALINES, GASOLINE, D.E.F., DIESEL, MACHINE OIL, WATER, ALCOHOL, THINNERS AND PETROLEUM-BASED PRODUCTS	
55-156	LEVER BARREL STYLE CHEMICALLY RESISTANT MATERIALS	WATER, ALCOHOL, GASOLINE, D.E.F, DIESEL, KEROSENE & PETROLEUM-BASED PRODUCTS, WATER, WATER-BASED CHEMICALS, ALCOHOL, KEROSENE, GASOLINE, DIESEL, PETROLEUM-BASED PRODUCTS, MILD ACID AND MILD ALKALI SOLUTIONS	
55-200	DIAPHRAGM STYLE PUSH/PULL LEVER	OIL-BASED FLUIDS, LIKE HEATING OIL AND OTHER PETROLEUM PRODUCTS GASOLINE*/DIESEL FUEL	WATER-BASED FLUIDS, SOLVENTS, WEAK ACIDS
55-303	ROTARY STYLE, CAST IRON	OIL-BASED FLUIDS	WATER-BASED FLUIDS, SOLVENTS, WEAK ACIDS, ANTIFREEZE, GASOLINE, OR DIESEL
75-846	ROD STYLE	WATER-BASED FLUIDS, OIL-BASED FLUIDS, AND GASOLINE	

HELPFUL HINTS



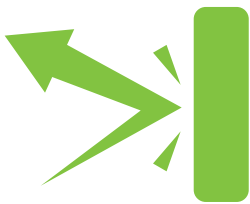
WATER-BASED materials attack **unplated steel** (rust).



SOLVENTS attack **lubricated parts** (break down lubricants), and also attack **rubber parts** (dissolve rubber).



ACIDS attack **nickel plating** and **unplated steel** (corrosion).



POLYPROPYLENE AND NYLON are **resistant** to some chemicals (see chart).

OILERS / ADHESIVE GUNS

PISTOL OILERS

Drawn steel bodies. Rugged epoxy finish resists rust.

- 6 oz. size available with or without base holder.
- Rigid spouts have .15" diameter ledge-cone machined tips to lift oil filler dust caps.



50-509CC Case-cut box. 6 oz. capacity with 6" rigid spout. Labeled. 10/master



50-515 6 oz. capacity with base holder and 6" rigid spout. Labeled. 10/master



50-516 6 oz. capacity with base holder and 6" flex spout. Labeled. 10/master



50-573 1 pint capacity with 6" flex spout. Boxed. 1/master



50-583 1 quart capacity with 6" rigid spout. Boxed. 1/master



50-595 8 oz. capacity with 6" flex spout. Boxed. 6/master

HANDLED OILER



Heavy duty, drawn steel bodies. Durable, epoxy finish bodies resist rust.

- Zinc-plated, detachable flex sprout with 1/2"-20 thread base.
- Detachable tip threaded 10-32 with closure cap.

50-337 1 pint capacity with 9" flex spout. Boxed. 5/master

50-347 1 quart capacity with 9" flex spout (not shown). Boxed. 24/master

PLASTIC OILERS



50-590 6 oz. capacity with 4-1/2" spout. Labeled. 6/master



50-592 6 oz. capacity with 7-1/2" flex spout. Labeled. 6/master

ADHESIVE GUNS

Feature zinc die-cast caps, 4" zinc-plated spouts and heavy duty triggers. Spout tips have 12-32 threads. Spout bases have 3/8"-24 threads. Brush tip available. Durable epoxy finish bodies. Pump most non-corrosive fluids which will seek their own level. Not recommended for water-based adhesives. Tip I.D.055".



30-955 1 pint with 4" spout. 1/box

30-956 Replacement 4" spout for 30-955. Bulk. 100/master

99-619 Brush tip for adhesive guns. 1/bag



30-960 Adhesive pump with long adapter. 1/box



99-619



30-962 Adhesive pump with short adapter. 1/box



30-956

FILTER WRENCHES

STANDARD FILTER WRENCHES



ECONOMY STANDARD FILTER WRENCHES

Standard fixed handle with vinyl grip.

70-535 Small. Fits 2-9/16" to 3-1/8" (65–79 mm). Carded. 6/master

70-536 Medium. Fits 3-1/2" to 3-7/8" (89–98 mm). Carded. 6/master



ECONOMY ADJUSTABLE FILTER WRENCH

4-way adjustable band fits a wide range of sizes. Wide band prevents crushed filters.

70-805 2-3/4" to 4" (70–102 mm). Carded. 10/master



PRO-TUFF® STANDARD FILTER WRENCH

70-605 Medium. Fits 3-1/2" to 3-7/8" (89–98 mm). Carded. 10/master

70-607 Large. Fits 4-1/8" to 4-1/2" (105–114 mm). Carded. 5/master

70-609 Truck. Fits 4-3/4" to 5-1/8" (120–130 mm). Carded. 5/master

70-611 Tractor. Fits 5-3/8" to 5-3/4" (136–146 mm). Carded. 5/master

SWIVEL FILTER WRENCHES



ECONOMY SWIVEL FILTER WRENCHES

For hard-to-reach jobs. Feature a swivel handle with vinyl grip to easily clear obstructions.

70-537 Medium. Fits 3-1/2" to 3-7/8" (89–98 mm). Carded. 6/master

70-538 Small. Fits 2-9/16" to 3-1/8" (65–79 mm). Carded. 6/master



PRO-TUFF® SWIVEL FILTER WRENCHES

Extra heavy duty construction with studded steel band. Feature a lock nut for setting angles and tightening handle and a tough non-slip grip. These wrenches with their swivel handle design make removing hard-to-reach filters easy. 1" band.

70-623 Small. Fits 2-13/16" to 3-5/32" (71–80 mm). Carded. 10/master

70-625 Medium. Fits 3-1/2" to 3-7/8" (89–98 mm). Carded. 10/master

70-627 Large. Fits 4-1/8" to 4-1/2" (105–114 mm). Carded. 5/master

BAND FILTER WRENCHES



PRO-TUFF® 3/8" RATCHET DRIVE

Low profile design for easy access to hard to reach filters. Heavy duty hardened link and 1" studded steel band. Use with 3/8" drive extension.

70-635 Fits 2-13/16" to 3-5/32"
(71–80 mm). Carded. 10/master

CAP FILTER WRENCHES

70-786 15 flutes. 3-21/32" (93 mm). Carded. 4/master

70-787 15 Flutes. 2-29/32" & 3" (74 & 76 mm). Carded. 4/master

70-790 14 flutes. 2-35/64" & 2-11/16" (65 & 68 mm). Carded. 4/master

70-792 14 flutes. 2-7/8" (73 mm). Carded. 4/master



MISCELLANEOUS FILTER WRENCHES



PLIERS-STYLE FILTER WRENCH

Comfortable vinyl grips and black oxide finish. Special slip-joint handle. 20° jaw angle and slim pliers design gets into areas other wrenches can't.

70-746 Fits 2-1/2" to 4-5/8" (63–117 mm). Carded. 5/master

Special locking handle and non-slip grip ensure maximum hold.

70-748 Fits 2-1/8" to 4-5/8" (54–117 mm). Carded. 3/master



NYLON STRAP FILTER WRENCH

70-719 Sturdy, non-slip nylon belt with 1/2" square drive. Fits filters up to 6". Carded. 5/master



2-PIECE STRAP WRENCH SET

70-720 Multi-purpose strap wrenches with adjustable, durable rubber strap. Fits almost any object.

Regular: 3/8" to 5-1/4" (9.5–133 mm)

Large: 1" to 6-1/2" (25.4–165 mm)

Carded. 3/master

BI-DIRECTIONAL FILTER WRENCHES

2-way filter wrench removes and installs oil filters. Fits most domestic and imported cars and trucks. Designed to fit where standard wrenches can't. Use with 3/8" square drive or 7/8" open/combo wrench.

70-715



70-717



70-715 Small. 2-13/16" to 3-1/16" (71 mm–78 mm)

Carded. 5/master

70-717 Large. 3-3/8" to 3-11/16" (86 mm–93 mm)

Carded. 3/master

FUNNELS

GALVANIZED STEEL FUNNELS

Heavy duty steel funnels. Capacity indicates what the funnels will hold when the outlet is blocked.



75-001 1 quart capacity, 7" total height, 6" diameter, 3/4" OD tip. Labeled. 12/master



75-002 Offset, 5 quart capacity, 11" total height, 10" diameter, 1-1/4" OD tip with screen. Labeled. 6/master



75-003 2 quart capacity, 8" total height, 8" diameter, 3/4" OD tip. Labeled. 6/master



75-004 Tractor, 8 quart capacity, 12" total height, 9-1/2" diameter, 1" OD tip with screen. Labeled. 6/master



75-008 Lock-on tractor, 8 quart capacity, 11-1/2" total height, 10" diameter, 1-1/4" OD tip with screen and tabs. Labeled. 6/master



75-017 7 pint capacity, 8-3/4" total height, 8-3/4" diameter, 7/8" OD tip. Labeled. 12/master

GALVANIZED STEEL UTILITY FUNNELS

Lightweight, general purpose steel funnels. Capacity indicates what the funnel will hold when the outlet is blocked.



75-009 10 oz. capacity, 5-1/2" total height, 4-1/2" diameter, 1/2" OD tip. Labeled. 12/master

75-010 24 oz. capacity, 6-1/2" total height, 5-3/4" diameter, 1/2" OD tip. Labeled. 12/master

75-011 32 oz. capacity, 7-1/2" total height, 6-1/2" diameter, 5/8" OD tip. Labeled. 12/master

75-012 56 oz. capacity, 9" total height, 8" diameter, 5/8" OD tip. Labeled. 12/master

FUNNEL FILLERS

TRANSMISSION FUNNELS

Rugged epoxy finish. Offset design, 2 quart capacity. 7" diameter. Includes fine mesh strainer screen.



75-005 With 2" length (1" OD) rigid tip. Labeled. 5/master



75-006 With 17" flexible metal extension and 5/8" OD tapered tip to fit transmission tubes, etc. 28" overall length. Labeled. 5/master

STEEL UTILITY FUNNEL

Ideal for transmission fluid. Galvanized steel. Includes screen and 12" flexible extension with taper tip. Tip 5/8" OD.

75-007
1 quart capacity, 5-3/4" diameter, 17-1/2" overall length. Labeled. 10/master



PLASTIC UTILITY FUNNEL

Complete with a 13" flexible neoprene hose. 1/2" OD tip.

75-101 1/2 pint capacity, 4-1/2" diameter, 17" overall length. Labeled. 10/master



PLASTIC FUNNELS

ECONOMY PLASTIC FUNNELS

Durable, oil and gasoline resistant plastic. Safe for all petroleum products, complete with handy storage hanging tabs. Capacity indicates what the funnel will hold when the outlet is blocked.



75-060 8 oz. capacity, 5" total height, 4-1/2" diameter, 1/2" OD tip. Labeled. 20/master



75-062 16 oz capacity, 5-1/2" total height, 6" diameter, 7/8" OD tip. Labeled. 24/master



75-064 48 oz. capacity, 7" total height, 8" diameter, 3/4" OD tip. Labeled. 24/master



LONG NECK PLASTIC FUNNEL

All-purpose utility funnel. Extra long neck to reach out-of-the-way spots.

75-068 2 quart capacity, 18" overall length, 5" diameter, 5/8" OD tip. Labeled. 12/master

PLASTIC FUNNELS

POLYETHYLENE PLASTIC FUNNELS

Rugged, corrosion-resistant, all-purpose funnels. Complete with fine mesh straining screen and handy hanging tab. Capacity indicates what the funnel will hold when the outlet is blocked.



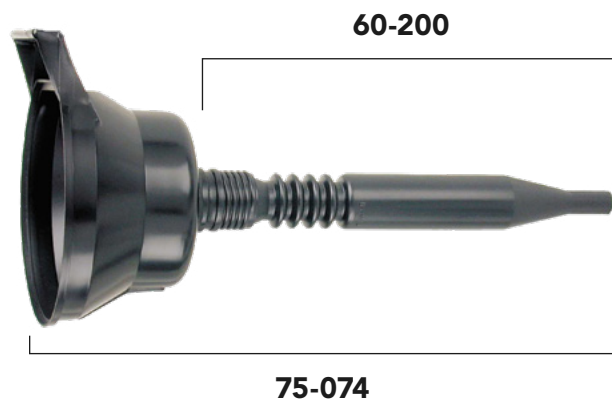
75-069 1 pint capacity, 5.1" total height, 5.5" diameter, 1" OD tip. Labeled. 10/master



75-070 2 quart capacity, 9" total height, 7" diameter, 1" OD tip. Labeled. 10/master



75-072 6 quart capacity, 11" total height, 9" diameter, 1-1/2" OD tip. Labeled. 5/master



2-PIECE FUNNEL WITH FLEXIBLE SPOUT

A multi-purpose 2-piece funnel with 12" detachable flexible spout. The funnel includes an easy-grip handle.

75-074 15" overall length, 6" diameter with 3/4" OD tip. Labeled. 12/master

60-200 Spout only. 2 thread sizes to fit most containers. Labeled. Bulk. 10/box



3-PIECE FUNNEL SET

75-075 Includes 1/2 pint, 1 pint, 2 pint plastic funnels. Labeled. 12/master

MEASURES / FILLERS

GALVANIZED MEASURES

Deluxe measures with spill-resistant tops. Flexible spouts for ease of pouring. Rolled edge, easy-grip handles. Calibrated fill line. 1/2" OD tip.



75-441 1 quart capacity,
6-1/2" overall height.
Labeled. 6/master



75-442 2 quart capacity,
9-1/2" overall height.
Labeled. 6/master



75-444 4 quart capacity,
11" overall height.
Labeled. 6/master

PLASTIC MEASURES

Marked in quarts and liters. Easy-grip handle. Rigid spout is angled for ease of pouring.



75-452 2 quart capacity,
1" OD spout. Labeled.
6/master



75-454 4 quart capacity,
1" OD spout. Labeled.
6/master



75-456 6 quart capacity,
1-1/4" OD spout. Labeled.
6/master

PAINTED MEASURES

With flexible spouts. Designed for one-hand operation. Thumb operated valve controls flow; flip action locks valve open. 14" flexible metal spout with tapered 1/2" OD tip swings into the necessary angle for hard-to-reach jobs. Recessed bottoms drain fully and guard against puncture. Rolled edge top helps prevent oil spillage.



75-662
2 quart capacity.
8" overall height.
Labeled. Boxed. 1/master



75-664
4 quart capacity.
9-1/2" overall height.
Labeled. Boxed. 1/master



75-665
5 quart capacity.
9-1/2" overall height.
Labeled. Boxed. 1/master



75-668
8 quart capacity.
11-1/2" overall height.
Labeled. Boxed. 1/master

RADIATOR / BATTERY FILLERS



RADIATOR FILLER

75-025 3 gallon capacity. Impervious to oil, gasoline and antifreeze. Labeled. 4/master



AUTOMATIC BATTERY FILLER

75-030 2 quart capacity. Shuts off automatically when battery cell is at proper level. Labeled. 10/master



BATTERY FILLER

75-033 6 ounce capacity. Ideal for all fluids including battery acid. Bagged. 10/master

99-038 Spout tip replacement. Bulk. 25/box

GALVANIZED CONTAINERS



RADIATOR DRAIN PAN

Heavy duty galvanized steel. Pouring with anti-splash baffle prevents spilling. Rolled smooth edge and ribbed bottom for heavy duty strength. Includes handles.

75-750 8 gallon capacity, 19" diameter x 7.25" high.
Labeled. 2/master



UTILITY DRAIN PAN

Seamless, full drawn galvanized steel. Rolled rim and ribbed bottom for extra strength.

75-751 2.8 gallon capacity, 16" diameter x 4" high.
Labeled. 12/master



DRIP PAN

Rugged galvanized sheet metal construction. Rust-resistant. Protects driveways, garage or automotive show room floors from fluid drippings. Rolled edges for extra strength.

75-755 17-1/2" x 25-3/4" x 1" high.
Labeled. 10/master



WATER PAIL

Made of rust-resistant galvanized sheet metal.

75-825 12 quart capacity, 11" diameter x 9-1/2" high.
Labeled. 6/master

PLASTIC CONTAINERS



SMALL PLASTIC DRAIN PAN

With pouring lip. Will not rust, dent or scratch, easy cleaning.

75-760 6 quart capacity, 12" diameter x 4" high. Labeled. 10/master



LARGE PLASTIC DRAIN PAN

Tough polyethylene construction that won't rust, dent or scratch. Pouring spout and handle allow for easy, spill-free pouring. Rolled edge cuts down on splash, makes for ease of carrying while full. Easy to clean.

75-762 4 gallon capacity, 18" diameter x 5-1/2" high. Labeled. 4/master

15 QUART DRAIN PAN WITH LID

This enclosed drain pan helps make oil changes mess free. The ample 8" opening and screen catch anything aimed in its direction. Seal-able top and wheels make clean up and removal a breeze.

75-764 15 quart capacity.
18" x 16" x 6" size.
Labeled. 4/master



LIFT DRAINS & ACCESSORIES



16 GALLON LIFT DRAIN

For use with 16 gallon/120 lb. open head drums (drum not included). Includes telescopic funnel and tube (adjusts from 40-1/2" to 60"), float assembly, drum cover assembly and heavy duty caster base.

75-835 16 gallon capacity. Boxed. 1/master



75-853



8 GALLON LIFT DRAIN

Sturdy plastic lift drain equipped with wheels, metal drain tube and drain pan with screen. Tube height adjusts to 48" or 63".

75-850 8 gallon capacity. Boxed. 1/master

75-853 Replacement tube and funnel assembly. Boxed. 1/master

75-836



TRANSMISSION PAN ADAPTER

75-836 For lift drains. Heavy duty, high density polyethylene. Small diameter drain holes in bottom of pan prevent loss of pan bolts. Fits all LubriMatic® and other popular lift drains. Labeled. 6/master



75-837-02

5 GALLON LIFT DRAIN

Telescopic tube adjusts to desired height from 40-1/2" to 60" with 13-1/2" diameter funnel. Comes complete with heavy duty 5 gallon steel container, telescopic tube and sturdy funnel.

75-837 5 gallon capacity. Boxed. 1/master

Replacement Parts:

75-837-02 Replacement tube and funnel assembly. Boxed. 1/master

75-837



LIFT DRAIN DOLLY

Heavy steel construction with baked enamel finish, ball bearing type swivel casters. All hardware included.

75-838 Cross frame style lift drain dolly which fits the LubriMatic® 75-837 lift drain. Boxed. 1/master

75-838



GREASE

MULTI-PURPOSE LITHIUM GREASE (LB)



Long lasting, hard working formula delivers high performance in a wide range of heavy-duty applications. Recommended for chassis, universal joints and other general purpose applications around the home, farm or shop. Works best for lubricating rolling parts. NLGI #2, drop point 350°F.

11312 3-pack of 3 oz. cartridges. 10/master

11315 14 oz. cartridge. 10/master

11316 16 oz. (1 lb.) can. 12/master

11328 (not shown) 35 lb. drum

LMX[®] THE “RED” GREASE (GC-LB)



Industrial and agricultural lithium complex formula. Ideal under temperature and pressure extremes, shock loads and high wear situations. Superior adhesion to bearing and moving parts. Highly water insoluble. NLGI #2, drop point 500°F.

11390 14 oz. cartridge. 10/master

11391 (not shown) 35 lb. drum

LUBRIMATIC® GREASES & OILS

For more than 40 years, LubriMatic® has been developing and distributing superior lubrication products. LubriMatic® serves the industrial, hardware, marine, automotive and agricultural markets, as well as many industries requiring professional grade lubricants and penetrants.

WHITE LITHIUM GREASE



Includes zinc additive for a clean, white color. Ideal for general home, shop, automotive, agricultural and industrial applications. Contains no silicons and can be used on plastic components NLGI #2, drop point 350°.

11350 16 oz. (1 lb.) can 12/master

11354 14 oz. cartridge. 10/master

11355 (not shown) 35 lb. drum

11356 (not shown) 120 lb. drum

11358 3-pack of 3 oz. cartridges. 12/master

MOLY EP GREASE (GC-LB)



Addition of molybdenum disulfide to lithium-based grease makes this lubricant especially effective for sliding motions, such as sleeve journal rotating shafts and ball joints. Contains extreme pressure (EP) additives to reduce scuffing, scoring and seizure with high loads. NLGI #2, drop point 500°F. Contains 3% molybdenum.

11335 14 oz. cartridge. 10/master

MARINE CORROSION CONTROL®

GREASE (GC-LB)



Special calcium sulfonate complex. water insoluble formula ideal for marine applications. Provides excellent corrosion protection under severe conditions caused by salt water and air. Use on wheel bearings (includes disc brake wheel bearings), swivel hinges, pins, winches and anchor chain reels. NGLI #2, drop point 550°F.

11397 3 oz. cartridge 3-pack. 12/master

11402 14 oz. cartridge. 10/master

11404 16 oz. (1 lb.) can. 12/master

11406 8 oz. tube. 12/master

11407 35 lb. drum (not shown)

11408 120 lb. drum (not shown)

11409 400 lb. drum. (not shown)

SPECIALTY GREASES



DIELECTRIC GREASE

Protects electrical connections from corrosion. Water-resistant, synthetic formulation sheds moisture and doesn't wash away. NLGI #2.

NOTE: Does not conduct electricity

11755 2 oz. tube. 12/master



MOTOR ASSEMBLY GREASE

A quality white lithium grease with exceptional consistency. Perfect for all engine rebuilding, metal-to-metal and electrical connection applications. NLGI #1, drop point 350°F.

11395 8 oz. tube. 12/master

OIL



TC-W3 meets the specified requirements of all foreign and domestic 2-cycle outboard manufacturers. Our ashless TC-W3 is formulated from ultra-clean base stock oil to provide superior protection against piston scuffing, bearing wear, spark plug fouling, pre-ignition and rust. This formulation has outstanding lubricity and miscibility for better mixing of fuel and oil, resulting in a cleaner running engine. Contains no phosphorus. Will not void manufactures' warranties!

TC-W3® OUTBOARD MOTOR OIL

11590 16 oz. (1 pt.) bottle. 12/master

11591 Quart bottle. 10/master

11592 1 gallon container. 6/master



HIGH VISCOSITY 80W/90 GEAR LUBE

Ideal for modern outboard and stern drive lower units. Meets or exceeds API MT-1 and GL-5 ratings. Will not void manufactures' warranties.

11552 Quart bottle. 12/master

2-CYCLE OIL



EZ 2-CYCLE OIL

No guessing with this handy oil. One bottle treats one gallon of gas, works in any ratio from 16:1 to 50:1.

11524 3.2 oz bottle. 48/master



2-CYCLE ENGINE OIL

Formulated to improve performance, extend engine life and reduce plug fouling. Provides excellent wear protection and high temperature performance. Recommended for chain saws, trimmers, motorcycles, snow blowers, mowers and other air cooled 2-cycle engines.

11525 8 oz. bottle. 24/master

11527 Quart bottle. 12/master

GEAR LUBE



SAE 80W/90EP

Premium blend contains extreme pressure additives to provide heavy-duty protection. Recommended for automotive, tractor, truck and industrial applications such as manual transmissions, differentials or other gear boxes which require heavy-duty multi-purpose lubricant. Meets API MT-1, GL-5, MIL-PRF-2105E, SAEJ2360 and Mack GO-G/H/J specifications.

11500 Quart bottle. 12/master

11507 Gallon container. 6/master



SAE 85W/140 EP

Formulated with EP additives to exceed most extreme performance requirements. Withstands severe shock, high torque loads and wide temperature variations. Meets API MT-1, GL-5, MIL-PRF-2105E, SAEJ2360 and Mack GO-G/H/J specifications.

11505 Quart bottle. 12/master

QUICK REFERENCE GREASE CHART

This chart indicates general specifications and application of petroleum-based greases available from LubriMatic®. Please contact our customer service department or representative for further details.

LUBRIMATIC® GREASE	GRADE	DROP POINT	WATER WASHOUT	4 BALL WELD (KGF)	4 BALL SCAR (MM)	TIMKEN OK LOAD	BASE (SOAP/THICKENER)	TEXTURE	COLOR
WHEEL BEARING GREASE	2	520°F	EXCELLENT	500	<0.6	50	POLYUREA	SMOOTH	BLUE
DIELECTRIC GREASE	2	NONE	OUTSTANDING	N/A	N/A	N/A	SYNTHETIC	BUTTERY	AMBER
LMX® THE "RED" GREASE	2	500°F	EXCELLENT	315	0.6	45	LITHIUM COMPLEX	TACKY	RED
MARINE GREASE	2	550°F	OUTSTANDING	620	0.45	65	CALCIUM SULFONATE	SMOOTH	GREEN
MOLY EP GREASE	2	500°F	EXCELLENT	350	0.4	45	LITHIUM COMPLEX	SMOOTH	GRAY
MOTOR ASSEMBLY WHITE GREASE	1	350°F	GOOD	250	0.6	N/A	LITHIUM 12-HYD. STEARATE	SMOOTH	OFF WHITE
MULTI-PURPOSE LITHIUM GREASE	2	350°F	VERY GOOD	N/A	<0.6	30	LITHIUM 12-HYD. STEARATE	SMOOTH	GRAY-BLACK
WHITE LITHIUM GREASE	2	350°F	VERY GOOD	250	0.6	35	LITHIUM 12-HYD. STEARATE	SMOOTH	OFF WHITE

GREASE COMPATIBILITY CHART

It is important to determine compatibility prior to mixing greases of different base types. Incompatible greases can cause adverse chemical reactions, resulting in rust, pitting, scoring of metal, and breakdown of the grease's ability to lubricate.

RELATIVE COMPATIBILITY RATING

- C** = COMPATIBLE
- N** = NOT RECOMMENDED
- I** = INCOMPATIBLE

THICKENER OR SOAP TYPE	ALUMINUM COMPLEX	BARIUM COMPLEX	CALCIUM STEARATE	CALCIUM 12-HYDROXY	CALCIUM COMPLEX	CALCIUM SULFONATE COMPLEX	CLAY (NON-SOAP)	LITHIUM STEARATE	LITHIUM 12-HYDROXY	LITHIUM COMPLEX	POLYUREA (CONVEN. 1ST GEN)	POLYUREA (LUBRIMATIC® TYPE)
ALUMINUM COMPLEX	-	I	I	C	I	N	I	I	I	C	I	C
BARIUM COMPLEX	I	-	I	C	I	C	I	I	I	I	I	N
CALCIUM STEARATE	I	I	-	C	I	C	C	C	N	C	I	C
CALCIUM 12-HYDROXY	C	C	C	-	N	N	C	C	C	C	I	C
CALCIUM COMPLEX	I	I	I	N	-	I	I	I	I	C	C	C
CALCIUM SULFONATE COMPLEX	N	C	C	N	I	-	I	N	N	C	I	C
CLAY (NON-SOAP)	I	I	C	C	I	I	-	I	I	I	I	N
LITHIUM STEARATE	I	I	C	C	I	N	I	-	C	C	I	C
LITHIUM 12-HYDROXY	I	I	N	C	I	N	I	C	-	C	I	C
LITHIUM COMPLEX	C	I	C	C	C	C	I	C	C	-	I	C
POLYUREA (CONVEN. 1ST GEN)	I	I	I	I	C	I	I	I	I	I	-	C
POLYUREA (LUBRIMATIC® TYPE)	C	N	C	C	C	C	N	C	C	C	C	-

Part#	Description	Page
05-019	1.5" Needle Nose Adapter	21
05-021	Push Type Adapter	20
05-025	4" Needle Nose Adapter	21
05-026	Quick Connect Locking Coupler	16
05-028	Standard Coupler Bulk - 10	16
05-030	Standard Coupler Bulk - 100	16
05-031	Standard Grease Gun Coupler	16
05-031-2	Standard Coupler 2 Pack	16
05-031-6	Standard Coupler 6 Pack	16
05-034	Heavy Duty Coupler Bulk	16
05-035	Heavy Duty Grease Coupler	16
05-036	Extreme Duty Grease Coupler	16
05-037	Needle Grease Injector	20
05-038	Extreme Duty Coupler Bulk	16
05-039	Air Bleeder Valve	21
05-041	Seal-Off Dispenser	20
05-042	Needle Tip Adapter	20
05-045	.75" Needle Nose Dispenser	20
05-047	Bulk Loader Fitting	21
05-048	Button Head Coupler - 5/8"	17
05-049	Button Head Coupler - 7/8"	17
05-050	180 Degree Swivel Coupler	17
05-052	Heavy Duty 360 Degree Swivel Coupler	17
05-057	360 Degree Swivel Coupler	17
05-058	Right Angle Coupler	17
05-059	90 Degree Coupler Adapter	17
05-060	7-Piece Grease Gun Accessory Kit	18
05-061	5-3/8" Curved Grease Pipe	15
05-065	27-Piece Grease Gun Accessory Kit	18
10-200	Standard 12 in Grease Hose	15
10-201	Standard 18 in Grease Hose	15
10-212	Heavy Duty 12" Grease Hose	15
10-214	Heavy Duty 12" Hose Bulk	15
10-218	Heavy Duty 18" Grease Hose	15
10-219	Heavy Duty 18" Hose Bulk	15
10-512	High Pressure 12" Grease Hose	15
10-514	High Pressure 18" Grease Hose	15
10-536	High Pressure 36" Grease Hose	15
11-100	Grease Fitting - 1/4"-28 - Short, Straight	25
11-101	Grease Fitting - 1/4"-28 - Short, Straight	25
11-103	Grease Fitting - 1/4"-28 - Short, Straight	25
11-104	Grease Fitting - 1/4"-28 - 45 Degree	25
11-105	Grease Fitting - 1/4"-28 - 45 Degree	25
11-112	Grease Fitting - 1/4"-28 - 90 Degree	25
11-113	Grease Fitting - 1/4"-28 - 90 Degree	25
11-150	Grease Fitting - 1/8" Npt - Short, Straight	25
11-151	Grease Fitting - 1/8" NPT - Short, Straight	25
11-159	Grease Fitting - 1/8" NPT - 45 Degree	25
11-166	Grease Fitting - 1/8" NPT - 90 Degree	25
11-167	Grease Fitting - 1/8" NPT - 90 Degree	25
11-201	Grease Fitting - 1/4" NPT - Straight	25
11-218	Grease Fitting - 1/8" NPT - 45 Degree	25
11-226	Grease Fitting - 6 mm x 1 - Straight	25
11-301	Grease Fitting - 6 mm x 1 - Straight	25
11-305	Grease Fitting - 6 mm x 1 - 90 Degree	25
11-311	Grease Fitting - 8 mm x 1 - Straight	25
11-313	Grease Fitting - 8 mm x 1 - 45 Degree	25
11-315F	Grease Fitting - 8 mm x 1 - 90 Degree	25
11-321	Grease Fitting - 10 mm x 1 - Straight	25
11-432	Grease Fitting - 1/4"-28 Straight Drive	25
11-438	Grease Fitting - 3/16" Straight Drive	25
11-453	Grease Fitting - 5/16" Straight Drive	25
11-902	4-Way 1/8" NPT Grease Fitting Tool - Bulk	22
11-903	4-Way 1/4"-28 Grease Fitting Tool	22
11-904	4-Way 1/8" Npt Grease Fitting Tool	22
11-912	Drive Fitting Drive-In Tool	22
11-917	Grease Joint Rejuvenator Tool	22
11-951	Fitting Assortment - 1/4"-28 - 50-Piece	24
11-953	Fitting Assortment - Standard - 100-Piece	24
11-954	Fitting Assortment - 1/8" NPT - 50-Piece	24
11-955	Fitting Assortment - 1/4"-28 - 8-Piece	23
11-956	Fitting Assortment - Metric - 100-Piece	24
11-957	Fitting Assortment - 6 mm x 1 - 8-Piece	23
30-100	Standard Mini Grease Gun	8
30-108	Portable Transfer Pump w/Hose	28
30-111-07	Heavy Duty 6 In Grease Hose - Bulk	14

Part#	Description	Page
30-114	Air Operated Grease Gun	7
30-118	Suction Gun W/Hose	14
30-132	Economy Mini Grease Gun Kit	8
30-190	Mini Grease Gun Kit - Marine	8
30-192	Mini Grease Gun Kit - Multi-Purpose	8
30-193	Standard Mini Grease Gun - Bulk	8
30-195	Jiffy Luber w/ Push Type Adapter	14
30-197	Handi-Grip Pistol Luber®	14
30-197-07	Handi-Grip Pistol Luber® - Bulk	14
30-200	Economy Lever Grease Gun	4
30-203	Standard Duty Lever Grease Gun	4
30-300	Standard Pistol Grip Grease Gun	6
30-303	Standard Pistol Grip Grease Gun	6
30-310	Standard Pistol Grip Grease Gun w/Hose	6
30-416	Professional Pistol Grip Grease Gun	6
30-465	Industrial Lever Grease Gun - Zinc Barrel	5
30-475	Industrial Lever Grease Gun	5
30-480	Ultimate® Grease Gun	5
30-601	12V Battery Operated Grease Gun	7
30-602	Replacement 12V Battery	7
30-603	Replacement 12V Battery Charger	7
30-617	SnapLock® 20V Lithium Ion Battery	11
30-618	SnapLock® Lithium Ion Battery Charger	11
30-619	42" Flex Guard Grease Hose	11
30-700	UltraView® Lever Action Grease Gun - Red	12
30-701	UltraView® Lever Action Grease Gun - Green	12
30-720	UltraView® Pistol Grip Grease Gun - Red	12
30-721	UltraView® Pistol Grip Grease Gun - Green	12
30-740	UltraView® Suction Grease Gun - Red	12
30-741	UltraView® Suction Grease Gun - Green	12
30-750	UltraView® Grease Gun Tube - Red	13
30-751	UltraView® Grease Gun Tube - Green	13
30-753	UltraView® Grease Gun Tube - Black	13
30-754	UltraView® Grease Gun Tube - Blue	13
30-760	UltraView® 1/4"-28 LLPID Washer - Red	13
30-761	UltraView® 1/4"-28 LLPID Washer - Green	13
30-763	UltraView® 1/4"-28 LLPID Washer - Black	13
30-764	UltraView® 1/4"-28 LLPID Washer - Blue	13
30-770	UltraView® 1/8" NPT LLPID Washer - Red	13
30-771	UltraView® 1/8" NPT LLPID Washer - Green	13
30-773	UltraView® 1/8" NPT LLPID Washer - Black	13
30-774	UltraView® 1/8" NPT LLPID Washer - Blue	13
30-800	Heavy Duty Mini Grease Gun	9
30-802	Professional Lever Grease Gun	4
30-804	Dual Piston Lever Grease Gun	5
30-806	Snaplock® Lever Grease Gun	11
30-807	Snaplock® Pistol Grip Grease Gun	11
30-808	Snaplock® Battery Operated Grease Gun	10
30-955	Adhesive Gun - 1 Pint	33
30-956	4 In Spout Replacement For 30-955	33
30-960	Adhesive Gun with Long Adapter	33
30-962	Adhesive Gun with Adapter	33
50-337	Handled Oiler - 1 Pint - Flex Spout	33
50-347	Handled Oiler - 1 qt. - Flex Spout	33
50-509CC	Pistol Oiler - 6 oz. - Cut Case Display Box	32
50-515	Pistol Oiler - 6 oz. - Rigid Spout	32
50-516	Pistol Oiler - 6 oz. - Flex Spout	32
50-573	Pistol Oiler - 1 Pint - Flex Spout	32
50-583	Pistol Oiler - 1 qt. - Rigid Spout	32
50-590	Plastic Pistol Oiler - 6 oz. - Rigid Spout	33
50-592	Plastic Pistol Oiler - 6 oz. - Flex Spout	33
50-595	Pistol Oiler - 8 oz. - Flex Spout	32
55-001	4 cc Bottle Pump	26
55-005	4 cc Bottle Pump w/ Metal Marine Adapter	26
55-007	4 cc Bottle Pump w/Plastic Marine Adapter	26
55-012	Bottle Pump - Fitting Only	26
55-011	Marine Lower Unit Pail Pump	27
55-017	Steel Barrel Pump	28
55-019	Nylon Barrel Pump	28
55-107	Bearing Packer Grease Pump	27
55-117	Grease Gun Filler Pump	27
55-123	Heavy Duty Barrel Pump	29
55-124	Professional Barrel Pump	29
55-125	Professional Barrel Pump w/Swivel Handle	29
55-141	5 Gallon Pail Pump	28
55-155	Rotary Def Pump	29

Part#	Description	Page	Part#	Description	Page
55-156	Lever Def Pump	29	75-835	16 Gallon Lift Drain	46
55-303	Rotary Barrel Pump	28	75-836	Plastic Transmission Pan Adapter	47
55-440	5 Gallon Lever Action Pail Pump	27	75-837	5 Gallon Lift Drain	47
55-441	16 Gallon Lever Action Pail Pump	27	75-837-02	Replacement Tube and Funnel for 75-837	47
60-200	Easy-Pour Flexible Bottle Spout	41	75-838	Lift Drain Dolly	47
70-025	Bearing Packer	20	75-846	Multi-Use Transfer Pump	28
70-026	Plastic Bearing Packer	20	75-847	Siphon Hose	26
70-535	Small Handled Filter Wrench	34	75-850	8 Gallon Lift Drain	46
70-536	Medium Handled Filter Wrench	34	75-853	Replacement Tube and Funnel Assembly	46
70-537	Medium Swivel Handled Filter Wrench	35	99-038	Spout Tip for Automatic Battery Filler	43
70-538	Small Swivel Handled Filter Wrench	35	99-619	Brush Tip for Adhesive Guns	33
70-605	Medium Pro-Tuff® Handled Filter Wrench	34			
70-607	Large Pro-Tuff® Handled Filter Wrench	34	11312	Multi-Purpose Grease 3 oz. - 3 Pack	48
70-609	Truck Pro-Tuff® Handled Filter Wrench	34	11315	Multi-Purpose Grease 14 oz. Cartridge	48
70-611	Tractor Pro-Tuff® Handled Filter Wrench	34	11316	Multi-Purpose Grease 16 oz. Can	48
70-623	Small Pro-Tuff® Swivel Handle Wrench	35	11328	Multi-Purpose Grease 35 lb. Drum	48
70-625	Medium Pro-Tuff® Swivel Handle Wrench	35	11335	Moly EP Multi-Purpose Grease 14 oz.	49
70-627	Large Pro-Tuff® Swivel Handle Wrench	35	11350	White Lithium Grease 16 oz. Can	49
70-635	Pro-Tuff® 3/8" Ratchet Drive Filter Wrench	36	11354	White Lithium Grease 14 oz. Cartridge	49
70-715	Small Bi-Directional Filter Wrench	37	11355	White Lithium Grease 35 lb. Drum	49
70-717	Large Bi-Directional Filter Wrench	37	11356	White Lithium Grease 120 lb. Drum	49
70-719	Strap Type Filter Wrench	37	11358	White Lithium Grease 3 oz. - 3 Pack	49
70-720	2-Piece Strap Type Filter Wrench	37	11380	High Temp Wheel Bearing Grease 16 oz. Can	48
70-746	Pliers Type Filter Wrench	37	11382	High Temp Wheel Bearing Grease 4 lb. Tub	48
70-748	Locking Pliers Type Filter Wrench	37	11390	LMX® "Red" Grease 14 oz. Cartridge	49
70-786	93 mm Steel Cap Filter Wrench	36	11391	LMX® "Red" Grease 35 lb. Drum	49
70-787	74-76 mm Steel Cap Filter Wrench	36	11395	Motor Assembly Grease 8 oz. Tube	50
70-790	65-68 mm Steel Cap Filter Wrench	36	11397	Corrosion Control® Marine Grease 3 oz. - 3 Pack	50
70-792	73 mm Steel Cap Filter Wrench	36	11402	Corrosion Control® Marine Grease 14 oz. Cartridge	50
70-805	Adjustable Handled Filter Wrench	34	11404	Corrosion Control® Marine Grease 16 oz. Can	50
70-901	Grease Gun Holder	19	11406	Corrosion Control® Marine Grease 8 oz. Tube	50
70-902	Grease Gun Holder - Bulk	19	11407	Corrosion Control® Marine Grease 35 lb. Drum	50
70-904	Grease Gun Bracket	19	11408	Corrosion Control® Marine Grease 120 lb. Drum	50
75-001	1 qt. Galvanized Steel Funnel	38	11409	Corrosion Control® Marine Grease 400 lb. Drum	50
75-002	5 qt. Offset Galvanized Steel Funnel	38	11465	Disc/Drum Bearing Grease 14 oz. Cartridge	48
75-003	2 qt. Galvanized Steel Funnel	38	11500	SAE 80W/90EP Gear Lube 1 qt. Bottle	52
75-004	8 qt. Tractor Galvanized Steel Funnel	38	11505	SAE 85W/140EP Gear Lube 1 qt. Bottle	52
75-005	Rigid Spout Transmission Filler	39	11507	SAE 80W/90EP Gear Lube 1 Gallon Container	52
75-006	Transmission Filler W/Flex Extension	39	11524	EZ-2 Cycle Oil 3.2 oz. Bottle	52
75-007	1 qt. Steel Utility Funnel w/Flex Extension	39	11525	2-Cycle Engine Oil 8 oz. Bottle	52
75-008	8 qt. Lock-On Tractor Steel Funnel	38	11527	2-Cycle Engine Oil 1 qt. Bottle	52
75-009	10 oz. Steel Utility Funnel	39	11540	High Viscosity 80W/90 Gear Lube 10 oz. Tube	51
75-010	24 oz. Steel Utility Funnel	39	11552	High Viscosity 80W/90 Gear Lube 1 qt. Bottle	51
75-011	32 oz. Steel Utility Funnel	39	11578	Power Trim And Tilt Fluid 10 oz. Tube	51
75-012	56 oz. Steel Utility Funnel	39	11590	TC-W3® 2-Cycle Outboard Motor Oil 16 oz. Bottle	51
75-017	7 Pint Galvanized Steel Funnel	38	11591	TC-W3® 2-Cycle Outboard Motor Oil 1 qt. Bottle	51
75-025	Radiator Filler	43	11592	TC-W3® 2-Cycle Outboard Motor Oil 1 Gallon Bottle	51
75-030	Automatic Battery Filler	43	11755	Dielectric Grease 2 oz. Tube	50
75-033	Battery Filler	43			
75-060	8 oz. Economy Plastic Funnel	40			
75-062	16 oz. Economy Plastic Funnel	40			
75-064	48 oz. Economy Plastic Funnel	40			
75-068	Long Neck Plastic Funnel	40			
75-069	1 Pint Plastic Funnel w/Screen	41			
75-070	2 qt. Plastic Funnel w/Screen	41			
75-072	6 qt. Plastic Funnel w/Screen	41			
75-074	2-Piece Funnel w/Flexible Spout	41			
75-075	3-Piece Assorted Plastic Funnels	41			
75-101	8 oz. Utility Plastic Funnel w/Hose	39			
75-441	1 qt. Galvanized Measure	42			
75-442	2 qt. Galvanized Measure	42			
75-444	4 qt. Galvanized Measure	42			
75-452	2 qt. Plastic Measure	42			
75-454	4 qt. Plastic Measure	42			
75-456	6 qt. Plastic Measure	42			
75-662	2 qt. Painted Measure	43			
75-664	4 qt. Painted Measure	43			
75-665	5 qt. Painted Measure	43			
75-668	8 qt. Painted Measure	43			
75-750	Radiator Drain Pan	44			
75-751	Utility Galvanized Steel Drain Pan	44			
75-755	Galvanized Steel Drain Pan	44			
75-760	6 qt. Plastic Drain Pan	45			
75-762	4 Gallon Plastic Drain Pan w/Spout	45			
75-764	15 qt. Plastic Drain Pan w/Lid	45			
75-825	12 qt. Galvanized Steel Water Pail	44			



800.231.4051 |

#COMBCAT

HIGHLINE WARREN LLC
4500 Malone Rd
Memphis, TN 38118

This Is Time Sensitive
Material Postal Service:
Please Deliver by May 1

FPO

8 40530 12242 7

CHANGE SERVICE REQUESTED

THE FULL LINE OFFERING.

Amflö®

AIR HOSE & ACCESSORIES



LubriMatic®

LUBRICATION PRODUCTS
& ACCESSORIES



TRU-FLATE®

TIRE REPAIR & AIR ACCESSORIES



EXCLUSIVELY AVAILABLE FROM