

D3600-SERIES

Duplex Grinder Package

Liberty Pumps®

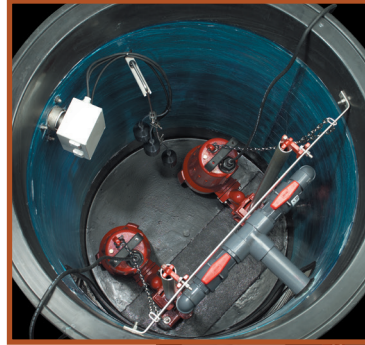
A Family and Employee Owned Company

Factory Assembled 2 hp Grinder Pumps 36" Diameter System 2" Discharge

Features

- Integral check valves
- QuickTree® pre-mounted float switch system for pump control and alarm
- 4" Inlet hub with rubber pipe seal
- Factory pre-assembled guide rail system
- Galvanized guide rail piping (stainless optional)
- Factory pre-assembled Schedule 80 PVC discharge piping with ball valves
- Fiberglass basin with anti-flotation collar
- Standard green fiberglass cover, solid (optional black steel, solid)
- All stainless steel supports and brackets pre-mounted
- NEMA 4X junction box for electrical connections, pre-mounted
- Stainless steel chain for pump lift-out

*Other custom basin sizes available, consult factory



4" Inlet
(unmounted)



Available Heights

- 48"
- 60"
- 72"
- 84"
- 96"
- 120"



Available with
LSG or LSGX-Series



innovate. evolve.

D3600-Series

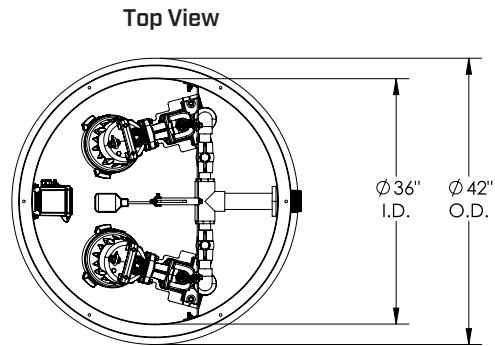
Features

- 2 hp Grinder pumps
- Choose from single stage LSG or 2-stage LSGX-Series pumps
- Available in a wide range of voltages
- 2" Discharge
- 25' Power cable length for standard systems (35' power cable length for "-C" models)



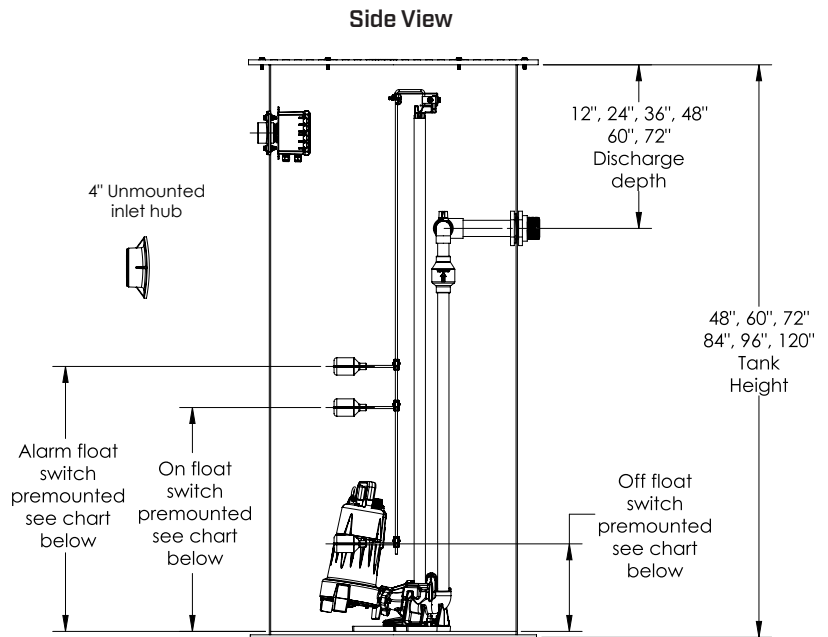
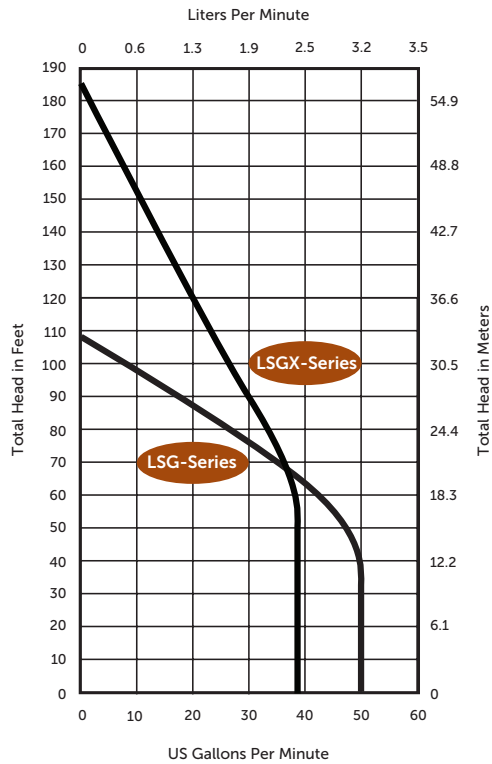
(See LSG or LSGX-Series literature for complete pump specifications.)

Dimensional Data



Performance Curves

60 Hz, 3450 RPM



Galvanized guide rails standard. For stainless steel rails add "S" to model number. Example: (steel) D3672LSG202-24-S
For steel cover option add "-SC" suffix to model number. Example: (steel) D3672LSG202-24-SC

Factory Set Control Levels

MODEL	OFF LEVEL	ON LEVEL	ALARM LEVEL	VOLUME PER PUMP CYCLE	TOTAL BASIN CAPACITY
D3648	13" (33 cm)	25" (64 cm)	31" (79 cm)	53 gal (201 L)	211 gal (799 L)
D3660	13" (33 cm)	28" (71 cm)	34" (86 cm)	66 gal (250 L)	264 gal (999 L)
D3672	13" (33 cm)	31" (79 cm)	37" (94 cm)	79 gal (299 L)	317 gal (1200 L)
D3684	13" (33 cm)	34" (86 cm)	40" (102 cm)	92 gal (348 L)	370 gal (1400 L)
D3696	13" (33 cm)	37" (94 cm)	43" (109 cm)	106 gal (401 L)	423 gal (1601 L)
D36120	13" (33 cm)	43" (109 cm)	49" (124 cm)	132 gal (500 L)	529 gal (2002 L)

Choice of Panel... AE-Series or IP-Series



AE24H=3
Control Panel
with Alarm
Included



AE-Series Panels (Standard)

Provides reliable alternating operation.

Features

- HOA switch offer manual operation of pumps (on circuit board)
- NEMA 4X enclosure for outdoor use
- Circuit breakers provide pump disconnect and branch circuit protection
- Alarm beacon and horn provide audio/visual warning of alarm condition
- Pump run indicator lights
- Auxiliary contacts
- Three level control float switches

For the complete AE-Series specifications, see AE-Series literature sheet.

IP-Series Panels (Optional)

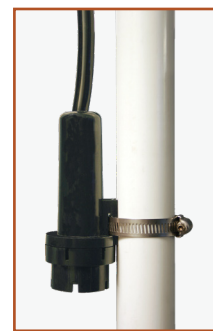
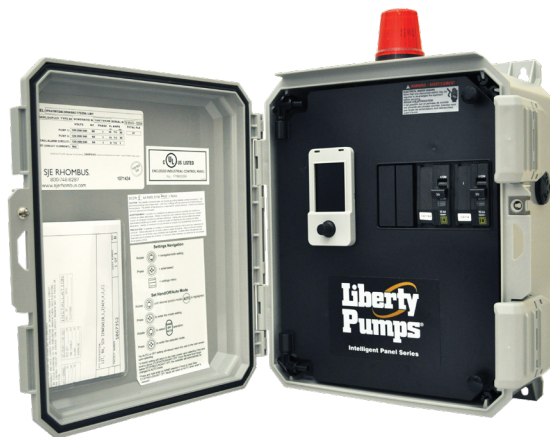
IP-Series control panels incorporate the latest programmable pump features through a simple, easy-to-use touchpad on the inner door. Now pump programming and system monitoring is easier than ever.

Features

- NEMA 4X weatherproof enclosure for indoor or outdoor mounting
- Floatless level sensor is compact and eliminates multiple wide-angle float switches for controlling pump
- Redundant "ALARM" float switch included for added security
- Easy-to-use touchpad for programming pump on/off levels and alarm level in inches or centimeters
- Inner panel door provides increased safety
- Separate control and alarm fuses
- Digital display board for system monitoring
- Alarm beacon and horn provide audio/visual warning of alarm condition
- Test/Normal/Silence switch
- Auxiliary contacts
- Panel is field convertible for either demand dose or time dose applications

For the complete IP-Series specifications, see IP-Series literature sheet.

NOTE: To order the IP-Series panel option, add "-IP" suffix to the system model number. Example: D3648LSG202-IP



Floatless
Level Sensor

D3600-Series

36" diameter fiberglass basin available in heights of 48", 60", 72", 84", 96", and 120".

Systems listed below are shipped with a standard AE-Series control panel. To upgrade to an IP-Series panel add "-IP" suffix to the system model number. Example: D3672LSG202-24-IP See AE-Series or IP-Series literature for complete specifications.

MODEL	VOLTS	PHASE	WEIGHT	STANDARD PANEL AE-SERIES	OPTIONAL PANEL IP-SERIES
D3648 – 36" x 48" Basin (Discharge depth is 12" from top of basin)					
D3648LSG202	208/230	1	470 lbs	AE24H=3	IPD-24H
D3648LSG202-C	208/230	1	470 lbs	AE24HC=3-3	IPD-24HC
D3648LSG203	208/230	3	479 lbs	AE34=3-511	IPD-34-511
D3648LSG204	440-480	3	479 lbs	AE34=3-171	IPD-34-171
D3648LSG205	575	3	479 lbs	AE54=3-161	IPD-54-161
D3648LSGX202	208-230	1	482 lbs	AE24H=3	IPD-24H
D3648LSGX202-C	208-230	1	482 lbs	AE24HC=3-3	IPD-24HC
D3648LSGX203	208/230	3	491 lbs	AE34=3-511	IPD-34-511
D3648LSGX204	440-480	3	491 lbs	AE34=3-171	IPD-34-171
D3648LSGX205	575	3	491 lbs	AE54=3-161	IPD-54-161
D3660 – 36" x 60" Basin (Discharge depth is available in 24" or 36" from top of basin. Add -24 or -36 to model when ordering)					
D3660LSG202 (-24 or -36)	208/230	1	490 lbs	AE24H=3	IPD-24H
D3660LSG202-C (-24 or -36)	208/230	1	490 lbs	AE24HC=3-3	IPD-24HC
D3660LSG203 (-24 or -36)	208/230	3	499 lbs	AE34=3-511	IPD-34-511
D3660LSG204 (-24 or -36)	440-480	3	499 lbs	AE34=3-171	IPD-34-171
D3660LSG205 (-24 or -36)	575	3	499 lbs	AE54=3-161	IPD-54-161
D3660LSGX202 (-24 or -36)	208-230	1	502 lbs	AE24H=3	IPD-24H
D3660LSGX202-C (-24 or -36)	208-230	1	502 lbs	AE24HC=3-3	IPD-24HC
D3660LSGX203 (-24 or -36)	208/230	3	511 lbs	AE34=3-511	IPD-34-511
D3660LSGX204 (-24 or -36)	440-480	3	511 lbs	AE34=3-171	IPD-34-171
D3660LSGX205 (-24 or -36)	575	3	511 lbs	AE54=3-161	IPD-54-161
D3672 – 36" x 72" Basin (Discharge depth is available in 24", 36", or 48" from top of basin. Add -24, -36, or -48 to model when ordering)					
D3672LSG202 (-24, -36, or -48)	208/230	1	515 lbs	AE24H=3	IPD-24H
D3672LSG202-C (-24, -36, or -48)	208/230	1	515 lbs	AE24HC=3-3	IPD-24HC
D3672LSG203 (-24, -36, or -48)	208/230	3	524 lbs	AE34=3-511	IPD-34-511
D3672LSG204 (-24, -36, or -48)	440-480	3	524 lbs	AE34=3-171	IPD-34-171
D3672LSG205 (-24, -36, or -48)	575	3	524 lbs	AE54=3-161	IPD-54-161
D3672LSGX202 (-24, -36, or -48)	208-230	1	527 lbs	AE24H=3	IPD-24H
D3672LSGX202-C (-24, -36, or -48)	208-230	1	527 lbs	AE24HC=3-3	IPD-24HC
D3672LSGX203 (-24, -36, or -48)	208/230	3	536 lbs	AE34=3-511	IPD-34-511
D3672LSGX204 (-24, -36, or -48)	440-480	3	536 lbs	AE34=3-171	IPD-34-171
D3672LSGX205 (-24, -36, or -48)	575	3	536 lbs	AE54=3-161	IPD-54-161
D3684 – 36" x 84" Basin (Discharge depth is available in 24", 36", 48", or 60" from top of basin. Add -24, -36, -48, or -60 to model when ordering)					
D3684LSG202 (-24, -36, -48, or -60)	208/230	1	540 lbs	AE24H=3	IPD-24H
D3684LSG202-C (-24, -36, -48, or -60)	208/230	1	540 lbs	AE24HC=3-3	IPD-24HC
D3684LSG203 (-24, -36, -48, or -60)	208/230	3	549 lbs	AE34=3-511	IPD-34-511
D3684LSG204 (-24, -36, -48, or -60)	440-480	3	549 lbs	AE34=3-171	IPD-34-171
D3684LSG205 (-24, -36, -48, or -60)	575	3	549 lbs	AE54=3-161	IPD-54-161
D3684LSGX202 (-24, -36, -48, or -60)	208-230	1	552 lbs	AE24H=3	IPD-24H
D3684LSGX202-C (-24, -36, -48, or -60)	208-230	1	552 lbs	AE24HC=3-3	IPD-24HC
D3684LSGX203 (-24, -36, -48, or -60)	208/230	3	561 lbs	AE34=3-511	IPD-34-511
D3684LSGX204 (-24, -36, -48, or -60)	440-480	3	561 lbs	AE34=3-171	IPD-34-171
D3684LSGX205 (-24, -36, -48, or -60)	575	3	561 lbs	AE54=3-161	IPD-54-161
D3696 – 36" x 96" Basin (Discharge depth is available in 24", 36", 48", 60", or 72" from top of basin. Add -24, -36, -48, -60, or -72 to model when ordering)					
D3696LSG202 (-24, -36, -48, -60 or -72)	208/230	1	565 lbs	AE24H=3	IPD-24H
D3696LSG202-C (-24, -36, -48, -60 or -72)	208/230	1	565 lbs	AE24HC=3-3	IPD-24HC
D3696LSG203 (-24, -36, -48, -60 or -72)	208/230	3	574 lbs	AE34=3-511	IPD-34-511
D3696LSG204 (-24, -36, -48, -60 or -72)	440-480	3	574 lbs	AE34=3-171	IPD-34-171
D3696LSG205 (-24, -36, -48, -60 or -72)	575	3	574 lbs	AE54=3-161	IPD-54-161
D3696LSGX202 (-24, -36, -48, -60 or -72)	208-230	1	577 lbs	AE24H=3	IPD-24H
D3696LSGX202-C (-24, -36, -48, -60 or -72)	208-230	1	577 lbs	AE24HC=3-3	IPD-24HC
D3696LSGX203 (-24, -36, -48, -60 or -72)	208/230	3	586 lbs	AE34=3-511	IPD-34-511
D3696LSGX204 (-24, -36, -48, -60 or -72)	440-480	3	586 lbs	AE34=3-171	IPD-34-171
D3696LSGX205 (-24, -36, -48, -60 or -72)	575	3	586 lbs	AE54=3-161	IPD-54-161
D36120 – 36" x 120" Basin (Discharge depth is available in 24", 36", 48", 60", or 72" from top of basin. Add -24, -36, -48, -60, or -72 to model when ordering)					
D36120LSG202 (-24, -36, -48, -60 or -72)	208/230	1	632 lbs	AE24H=3	IPD-24H
D36120LSG202-C (-24, -36, -48, -60 or -72)	208/230	1	632 lbs	AE24HC=3-3	IPD-24HC
D36120LSG203 (-24, -36, -48, -60 or -72)	208/230	3	641 lbs	AE34=3-511	IPD-34-511
D36120LSG204 (-24, -36, -48, -60 or -72)	440-480	3	641 lbs	AE34=3-171	IPD-34-171
D36120LSG205 (-24, -36, -48, -60 or -72)	575	3	641 lbs	AE54=3-161	IPD-54-161
D36120LSGX202 (-24, -36, -48, -60 or -72)	208-230	1	644 lbs	AE24H=3	IPD-24H
D36120LSGX202-C (-24, -36, -48, -60 or -72)	208-230	1	644 lbs	AE24HC=3-3	IPD-24HC
D36120LSGX203 (-24, -36, -48, -60 or -72)	208/230	3	653 lbs	AE34=3-511	IPD-34-511
D36120LSGX204 (-24, -36, -48, -60 or -72)	440-480	3	653 lbs	AE34=3-171	IPD-34-171
D36120LSGX205 (-24, -36, -48, -60 or -72)	575	3	653 lbs	AE54=3-161	IPD-54-161

Specifications subject to change without notice.

Copyright © Liberty Pumps, Inc. 2023 All rights reserved. LLIT006676-R09/23E

Liberty Pumps - 7000 Apple Tree Avenue - Bergen, New York 14416
Phone 800-543-2550 - Fax 585-494-1839 - www.LibertyPumps.com