

## FIRESTOP™ WASHING MACHINE OUTLET BOX

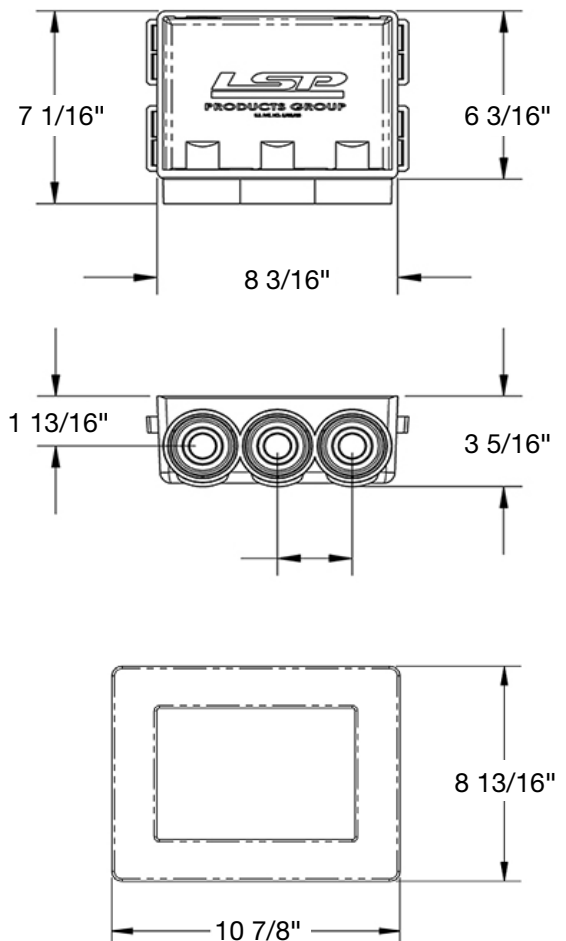
The most versatile fire-rated box in the industry. Similar in design to the Switch Hitter®, valves may be mounted right/left, or with center drain, and from top or bottom. Constructed from white fire-resistant PVC, with a factory-mounted intumescent pad. Suitable for use on wood or metal studs, and with all pipe types. Molded in test cap for testing of DWV drain. Quarter Turn Ball Valve. Dimensions: 7-1/16" x 8-3/16" x 3". Faceplate: 11" x 8-3/4". Faceplates will accommodate 1.25" wall thickness.

### DESIGN FEATURES

- 1hr and 2hr fire rated
- Same proven Switch Hitter design with fire rating
- Selectable drain orientations
- Selectable top, bottom, right, left valve orientations
- Knockout test cap
- Deep faceplate accepts up to two sheets of 5/8" drywall
- 1/4" thick intumescent pad for fire protection
- Box constructed of fire resistant PVC
- Mounts in center of stud bay
- EZ-Turn Quarter Ball Valve - Durable brass resists cracking corrosion and allows for fingertip control of waterflow
- Valves have long lasting o-rings and PTFE seats
- White finish

### COMPLIANCES/LISTINGS

- Warnock Hersey listed 1hr and 2hr:  
ASTM E814, CAN/ULC S115, IAPMO/UPC Certified 0901
- Valve also meets or exceeds:  
ASME A112.18.1, NSF Standard 61





Legacy of **INNOVATION**

**Specialty Products™**

Part Number	Description	Master Carton Qty
<b>Without Valves</b>		
OBFS-2000	White, Without Valves	10
OBFS-2001	White, Center Drain, With Valve Holes	10
<b>With Copper Sweat Valves</b>		
OBFS-2010	White, Unassembled	10
OBFS-2011	White, Assembled, Center Drain	10
OBFS-2110	White, Unassembled w/ Hammer Arresters	10
OBFS-2111*	White, Assembled, Center Drain, w/ Hammer Arresters	10
<b>With CPVC Valves</b>		
OBFS-2020	White, Unassembled	10
OBFS-2021*	White, Assembled, Center Drain	10
OBFS-2120	White, Unassembled w/ Hammer Arresters	10
OBFS-2121*	White, Assembled, Center Drain, w/ Hammer Arresters	10
<b>With Crimp PEX Valves</b>		
OBFS-2030*	White, Unassembled	10
OBFS-2031	White, Assembled, Center Drain	10
OBFS-2130	White, Unassembled w/ Hammer Arresters	10
OBFS-2131	White, Assembled, Center Drain, w/ Hammer Arresters	10
<b>With Rehau Valves</b>		
OBFS-2040	White, Unassembled	10
OBFS-2041	White, Assembled, Center Drain	10
<b>With Viega Valves</b>		
OBFS-2137	White, Unassembled	10
<b>With UPONOR ProPEX® Valves</b>		
OBFS-2060	White, Unassembled	10
OBFS-2061	White, Assembled, Center Drain	10
OBFS-2160	White, Unassembled w/ Hammer Arresters	10
OBFS-2161	White, Assembled, Center Drain, w/ Hammer Arresters	10
<b>Accessories/Replacement Parts</b>		
P-00213	White Faceplate	1

\* Add "-T" to the end of these part numbers for Tract Pack (faceplates packaged separately)

\*Add "-TOP" to the end of the part number for Top Mounted valves

<b>Product Submittal</b>	
Job Name:	Date:
Part Number:	Quantity:
Architect:	
Contractor:	

Content matter is subject to change at any time. It is the user's responsibility to ensure the most updated revisions are obtained. 2/2021

**2727 CHEMSEARCH BLVD., IRVING, TX 75062 | PHONE: (800) 854-3215 | FAX: (800) 243-1777 | LSPproducts.com**