

Features

- Urinal strainer with china grate.
- For vitreous china urinal stall.
- For caulking 2" iron pipe or soldering 2" lead pipe.

Material

- Solid-brass construction for durability and reliability.

Recommended Products/Accessories

K-23726 Drain treatment

K-23723 Faucet cleaner

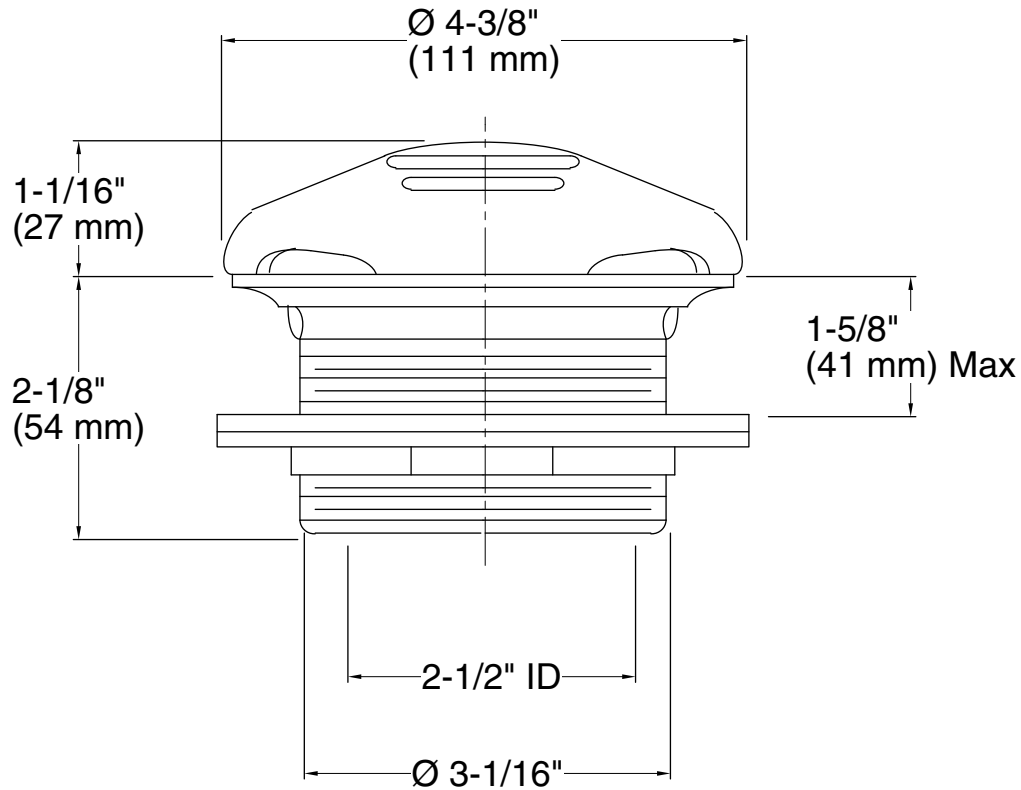


Codes/Standards

ASME A112.18.2/CSA B125.2

KOHLER® One-Year Limited Warranty

See website for detailed warranty information.



Technical Information

All product dimensions are nominal.

Material: Brass, Brass, Brass

Notes

Install this product according to the installation guide.