

Features

- 30" (762 mm) minimum base cabinet width.
- Single bowl.
- 9" (229 mm) depth provides generous workspace.
- 30" (762 mm) minimum base cabinet width.
- Rear drain increases workspace in the sink and allows for more storage space underneath the sink.
- Includes the K-6429 dishcloth bar/utility shelf and the K-5408 bottom sink rack.
- Includes installation hardware.
- Rounded 10mm corners are easy to clean.

Material

- Handcrafted from 16-gauge stainless steel.
- Premium 16-gauge stainless steel.

Installation

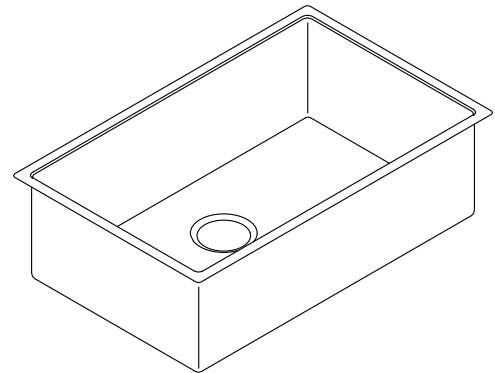
- Undermount.

Recommended Products/Accessories

- K-8801 Sink drain and strainer with tailpiece
- K-8799 Sink drain and strainer basket
- K-23726 Drain treatment
- K-23729 Stainless steel cleaner

Optional Products/Accessories

- K-11352 Disposal Flange with Stopper

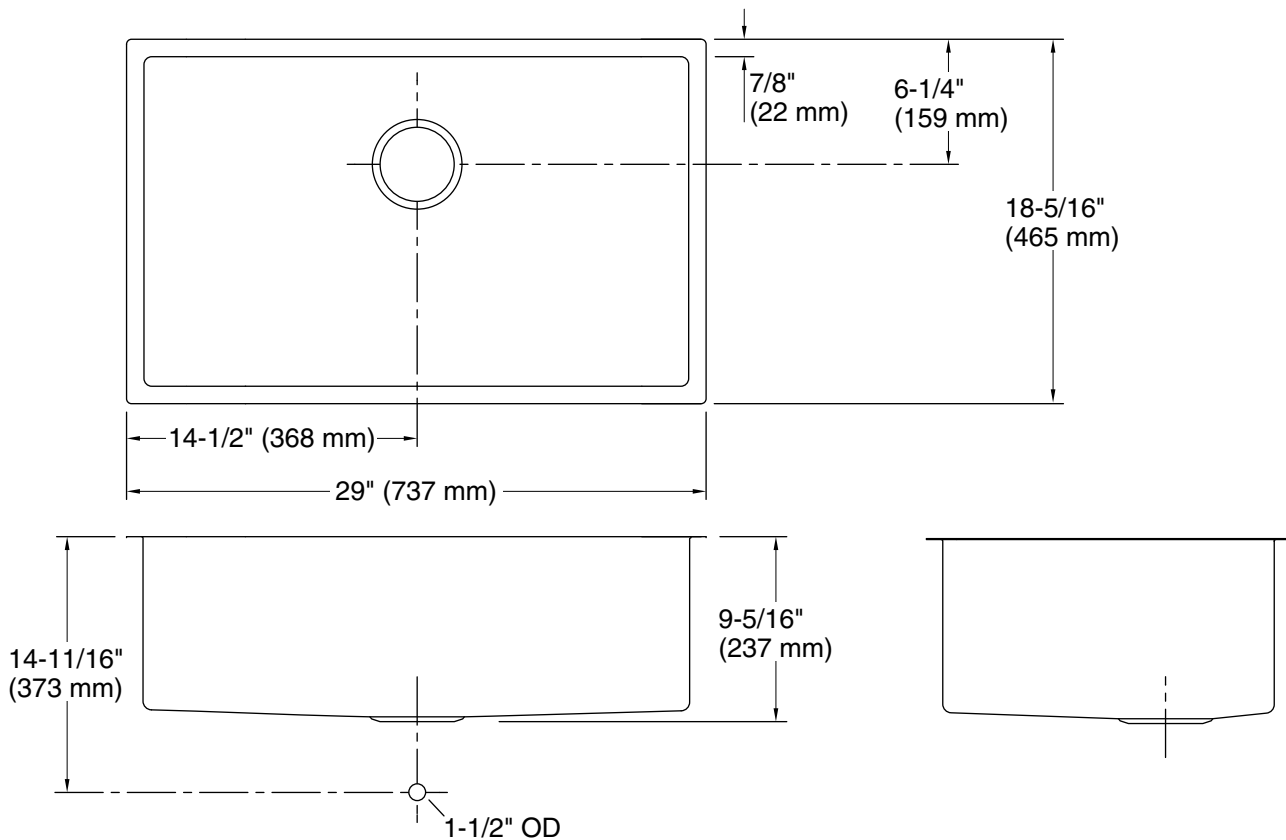


Codes/Standards

ASME A112.19.3/CSA B45.4

Lifetime Limited Warranty for KOHLER® Stainless Steel Sinks

See website for detailed warranty information.



Technical Information

All product dimensions are nominal.

Bowl configuration: Single

Installation: Undermount

Min. base cabinet width: 33" (838 mm)

Bowl area (Only):

- Length: 27-1/4" (692 mm)
- Width: 16-9/16" (420 mm)
- Bowl depth: 9" (229 mm)
- Water depth: 9" (229 mm)

Template: 1220866-7, required, included

Notes

Install this product according to the installation instructions.

Minimum base cabinet width 30" - 33" (30" may require cabinet modifications). Consult an installer for confirmation.