



## Iron Plains® Oval Wading Pool®

Vessel bathroom sink

**K-5403-W**

### Features

- Oval basin.
- No faucet holes; requires wall- or counter-mount faucet.
- Overflow drain.
- White painted underside.

### Material

- KOHLER® enameled cast iron.

### Installation

- Vessel.

### Recommended Products/Accessories

K-23726 Drain treatment

K-23725 Cast iron cleaner



ADA

CSA B651

### Codes/Standards

ASME A112.19.1/CSA B45.2

ADA

ICC/ANSI A117.1

CSA B651

### Lifetime Limited Warranty for KOHLER® Cast Iron Components

See website for detailed warranty information.

### Available Colors/Finishes

*Color tiles intended for reference only.*

Color	Code	Description
-------	------	-------------



0

White

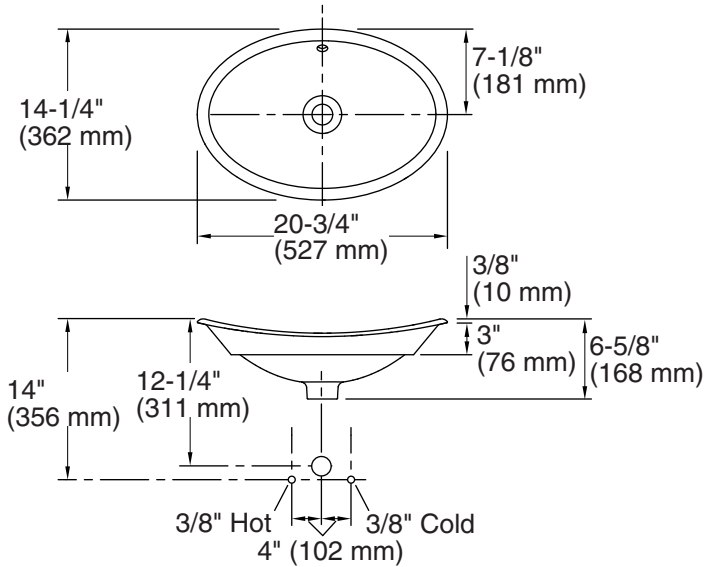


FF

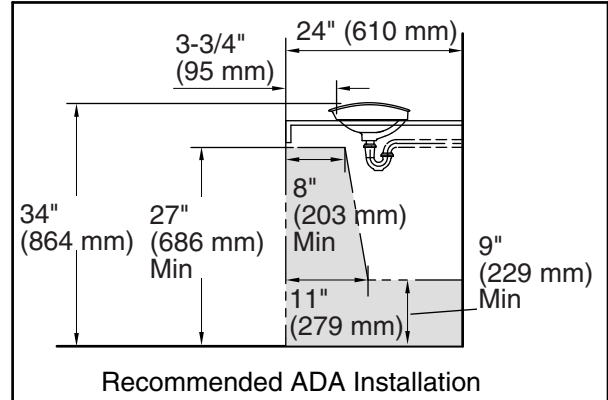
Sea Salt™



**Iron Plains® Oval Wading Pool®**  
 Vessel bathroom sink  
**K-5403-W**



Standard Installation



**Technical Information**

All product dimensions are nominal.

- Bowl configuration: Single
- Installation: Vessel
- Bowl area: Length: 19-3/4" (501 mm)  
 Width: 13-1/4" (337 mm)  
 Bowl depth: 4-15/16" (126 mm)  
 With overflow: Yes  
 Water depth: 2-1/4" (58 mm)
- With overflow: Yes
- Template: 1222633-7, required, included

**Notes**

Install this product according to the installation instructions.

NOTICE: Countertop manufacturer or cutter must use the cut-out template provided with the product, or a current one provided by Kohler Co. (call 1-800-4-KOHLER). Kohler Co. is not responsible for cutout errors when the incorrect cut-out template is used.

ADA, CSA B651 compliant when installed to the specific requirements of these regulations.