

Features

- 36" minimum base cabinet width.
- Double-equal bowls.
- 9" (229 mm) depth provides generous workspace.
- Rear drain increases workspace in the sink and storage space underneath.
- Includes installation hardware and bottom sink rack.

Material

- Handcrafted from 18-gauge stainless steel.
- Premium 18-gauge stainless steel.

Installation

- Top-mount or undermount.

Recommended Products/Accessories

- K-6641 Stainless steel sink rack
- K-8801 Sink drain and strainer with tailpiece
- K-8799 Sink drain and strainer basket
- K-23726 Drain treatment
- K-23729 Stainless steel cleaner

Optional Products/Accessories

- K-6429 Utility Rack
- K-6432 Saddle Towel Bar
- K-6434 Saddle Utility Rack
- K-6667 Wood Cutting Board
- 1177161 Installation Clip Kit
- K-11352 Disposal Flange with Stopper

Included Components

Product consists of:

- K-6641 Stainless steel sink rack
- 1130570 Hardware Kit, Self-Rimming

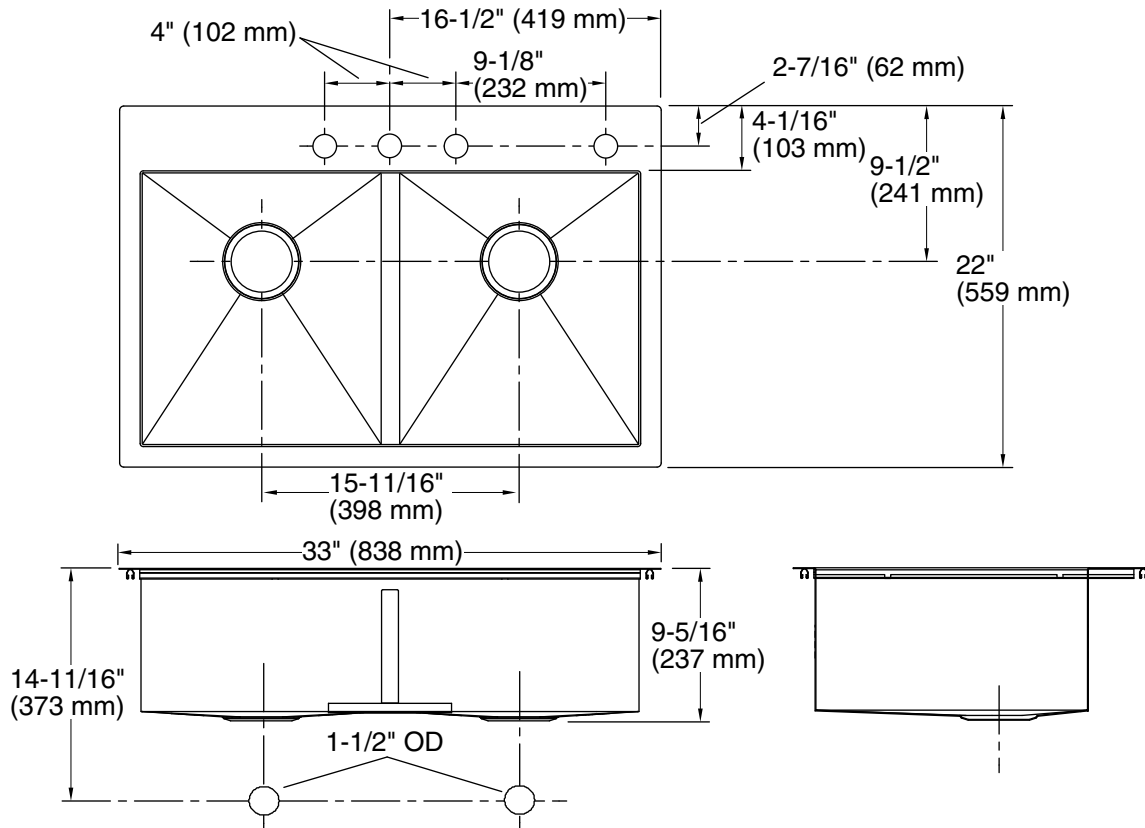


Codes/Standards

ASME A112.19.3/CSA B45.4

Lifetime Limited Warranty for KOHLER® Stainless Steel Sinks

See website for detailed warranty information.



Technical Information

All product dimensions are nominal.

Bowl configuration: Double equal

Installation: Top-mount, Under-mount

Min. base cabinet width: 36" (914 mm)

Bowl area (Left): Length: 16-9/16" (421 mm)
Width: 14-9/16" (370 mm)
Bowl depth: 9" (229 mm)
Water depth: 9" (229 mm)

Bowl area (Right): Length: 16-9/16" (421 mm)
Width: 14-9/16" (370 mm)
Bowl depth: 9" (229 mm)
Water depth: 9" (229 mm)

Number of deck holes: 4

Faucet hole spacing: 4" (102 mm)

Faucet hole(s): 1-7/16" (37 mm)

Drain hole: 3-7/8" (98 mm)

Template: 1130821-7, required, included

Notes

Install this product according to the installation instructions.

Allow 3/4" (19 mm) clearance beyond the back of the bowl for the wood cutting board (optional accessory).