

KOHLER®

Staccato™ Top-mount large/medium double-bowl kitchen sink K-3361-1

Features

- 36" minimum base cabinet width.
- Large/medium bowls.
- 8" (203 mm) depth.
- Single faucet hole.
- Includes installation hardware.
- Includes hardwood cutting board.

Material

- Premium 18-gauge stainless steel.

Installation

- Top-mount.

Recommended Products/Accessories

- K-5103 Right-Bowl Sink Rack
- K-5111 Sink Rack
- K-8801 Sink drain and strainer with tailpiece
- K-8799 Sink drain and strainer basket
- K-23726 Drain treatment
- K-23729 Stainless steel cleaner

Optional Products/Accessories

- K-3368 Sink Basket
- K-8813 Stainless steel sink drain and strainer with tailpiece
- K-11352 Disposal Flange with Stopper

Included Components

Product consists of:

- 1150001 Installation Clips
- K-3365 Cutting Board



Codes/Standards

ASME A112.19.3/CSA B45.4

Lifetime Limited Warranty for KOHLER® Stainless Steel Sinks

See website for detailed warranty information.

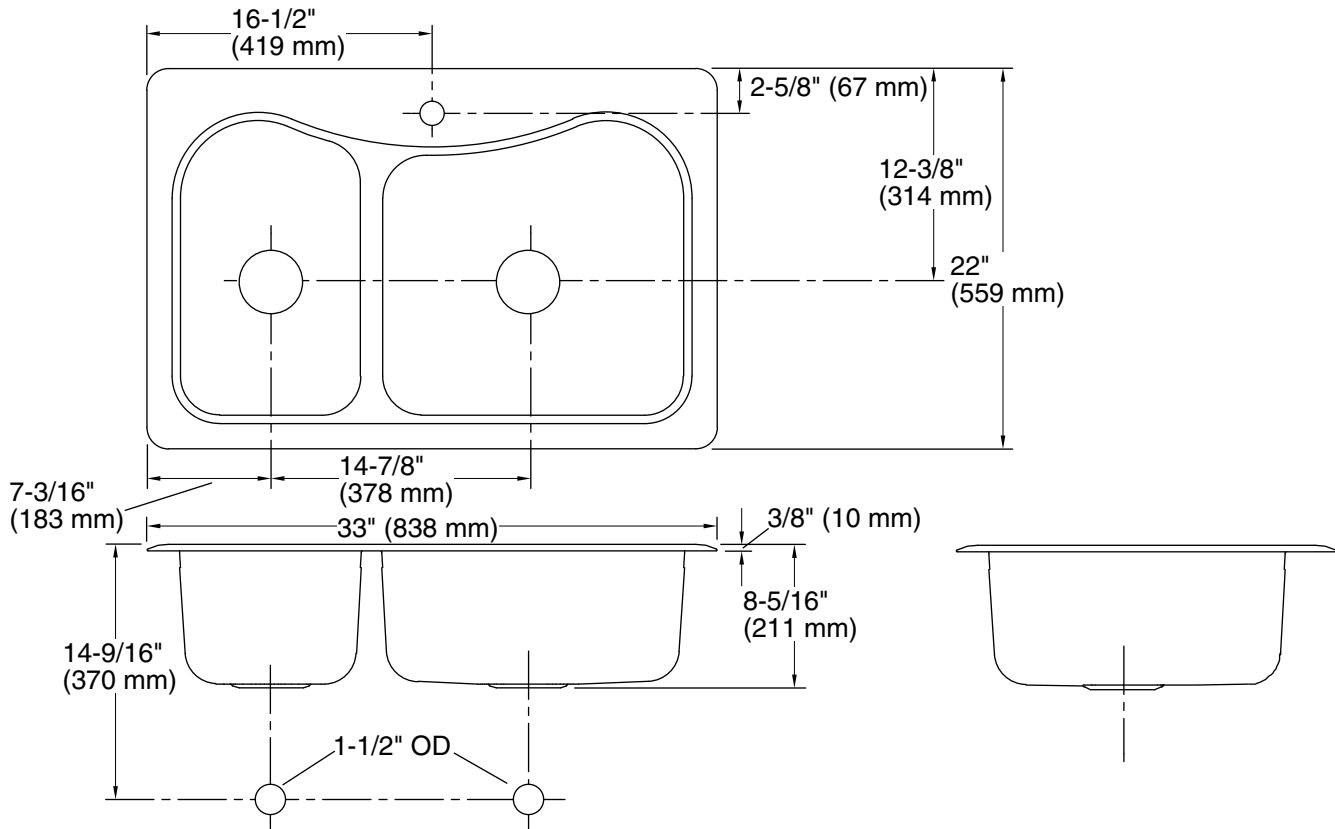
1-800-4KOHLER (1-800-456-4537)

Kohler Co. reserves the right to make revisions without notice to product specifications.

For the most current Specification Sheet, go to www.kohler.com.

5-29-2021 18:23 - US/CA

THE BOLD LOOK
OF **KOHLER**®



Technical Information

All product dimensions are nominal.

Bowl configuration: Off-set X-large/small

Installation: Top-mount

Cutout: Top-mount, 32-1/2" x 21-1/2" (826 mm x 546 mm) with 1" (25 mm) radius corners

Min. base cabinet width: 36" (914 mm)

Bowl area (Left): Length: 17-1/16" (433 mm)
Width: 10-7/16" (265 mm)
Bowl depth: 8" (203 mm)

Bowl area (Right): Length: 17-7/16" (443 mm)
Width: 17-1/16" (433 mm)
Bowl depth: 8" (203 mm)

Number of deck holes: 1

Faucet hole(s): 1-7/16" (37 mm)

Drain hole: 3-5/8" (92 mm)

Notes

Install this product according to the installation instructions.