

## Features

- 4" (102 mm) centerset faucet holes
- Overflow drain
- Metal frame installation

## Material

- KOHLER® enameled cast iron

## Installation

- Drop-in

## Required Products/Accessories

K-6688 Metal frame for use w/Tahoe® bathroom sink

## Recommended Products/Accessories

K-8998 P-Trap  
K-23726 Drain treatment  
K-23725 Cast iron cleaner



**ADA** **CSA B651** **OBC**

## Codes/Standards

ASME A112.19.1/CSA B45.2  
ADA  
ICC/ANSI A117.1  
CSA B651  
OBC

## KOHLER® Enameled Cast Iron Kitchen and Bathroom Sink Lifetime Limited Warranty

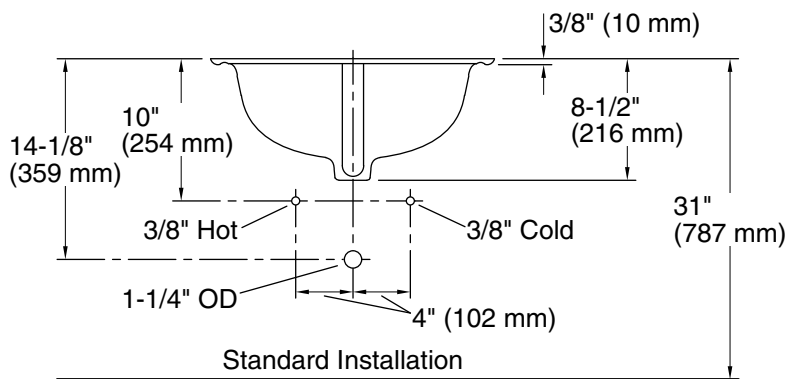
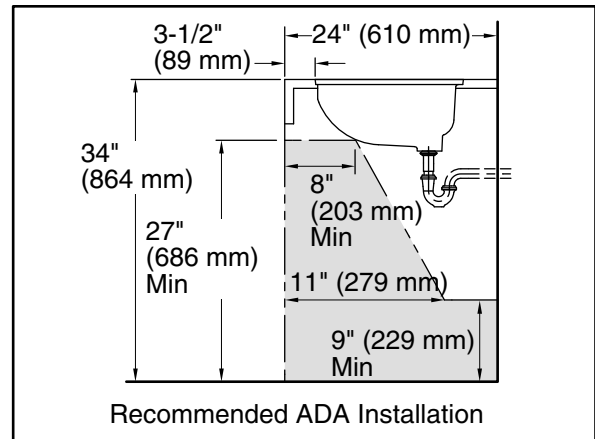
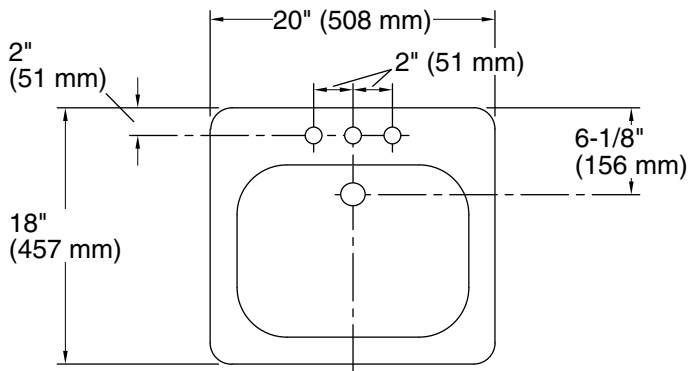
See website for detailed warranty information.

## Available Colors/Finishes

*Color tiles intended for reference only.*

### Color Code Description

	0	White
---	---	-------



## Technical Information

All product dimensions are nominal.

Basin configuration:	Single Bowl
Center(s):	4" (102 mm)
Bowl area (Only):	Length: 16" (406 mm) Width: 12" (305 mm) Water depth: 5" (127 mm)
With overflow:	Yes
Number of deck holes:	3
Faucet hole(s):	1-3/8" (35 mm)
Drain hole:	1-11/16" (43 mm)

## Notes

Install this product according to the installation instructions.

A metal frame is required for installation.  
ADA, OBC, CSA B651 compliant when installed to the specific requirements of these regulations.