



Modern Farm

One-light sliding sconce
K-23667-SC01

Features

- Suitable for any living space, allowing you to create a cohesive design aesthetic throughout your home
- Candelabra base (E12) socket, works best with type G16.5 white, clear or Edison bulbs (sold separately)
- With the integrated ball joint, move shade to cast light up, down, left or right
- Shade swivels, enabling you to direct light where you need it
- Design offers additional height options
- Suitable for damp locations, per UL 1598

Material

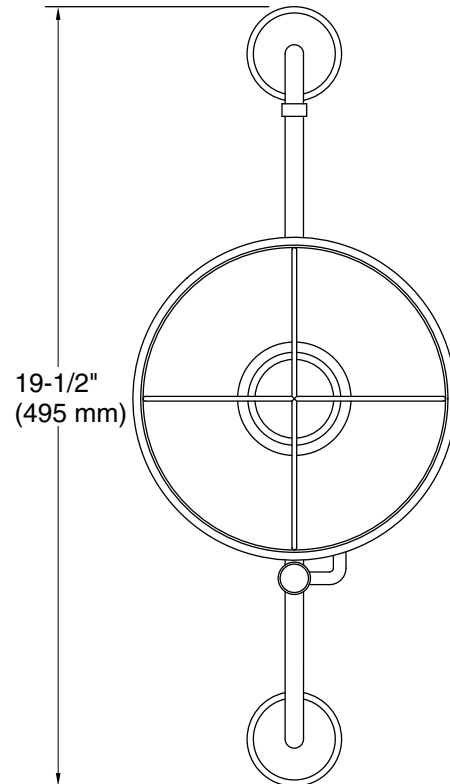
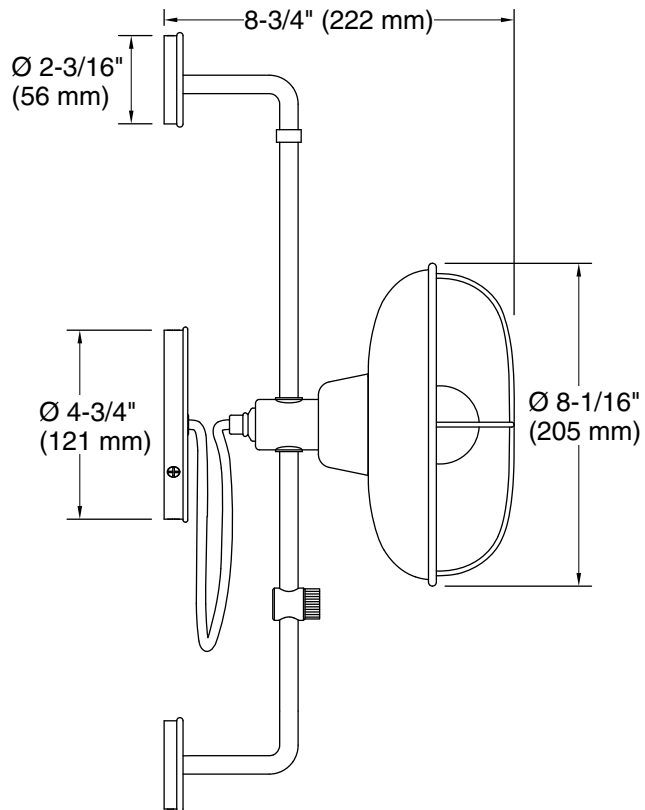
- Manufactured with quality materials and complemented with a meticulous finishing process
- Durable finishes engineered to last and designed to coordinate with KOHLER faucet finishes



Codes/Standards

UL 1598
CSA C22.2 No. 250.0
cETL Listed
ETL Listed

See website for detailed warranty information.



Required Electrical Service

One circuit required.

Lights: 120 V, 0.5 A, 60 Hz

Technical Information

All product dimensions are nominal.

Material: Steel

Number of Lights: 1

Lighting Type: Socket-based

Socket Type: E-12 Candelabra

Number of Shades: 1

Shade Type: Metal

Hanging Type: Non-hanging

Electrical component Socket Rating: 60 Hz, 60 W
rating: