

Features

- Metal construction.
- 4-7/16" (112 mm) spout reach.
- Grid drain with tailpiece.
- Stationary spout.
- Lever handles.
- Complements Coralais faucets and accessories.
- Red/blue indexing.
- Vandal-resistant aerator.
- 0.5 gpm (1.9 lpm) maximum flow rate at 60 psi (4.14 bar).

Installation

- For 4" (102 mm) centers.

Recommended Products/Accessories

K-23726 Drain treatment
K-23723 Faucet cleaner

Optional Products/Accessories

1160594 .35 gpm Aerator, Large



ADA CSA B651 OBC

Codes/Standards

ASME A112.18.1/CSA B125.1
NSF/ANSI 61
NSF/ANSI 372
All applicable US Federal and State material regulations
DOE - Energy Policy Act 1992
ADA
ICC/ANSI A117.1
CSA B651
OBC

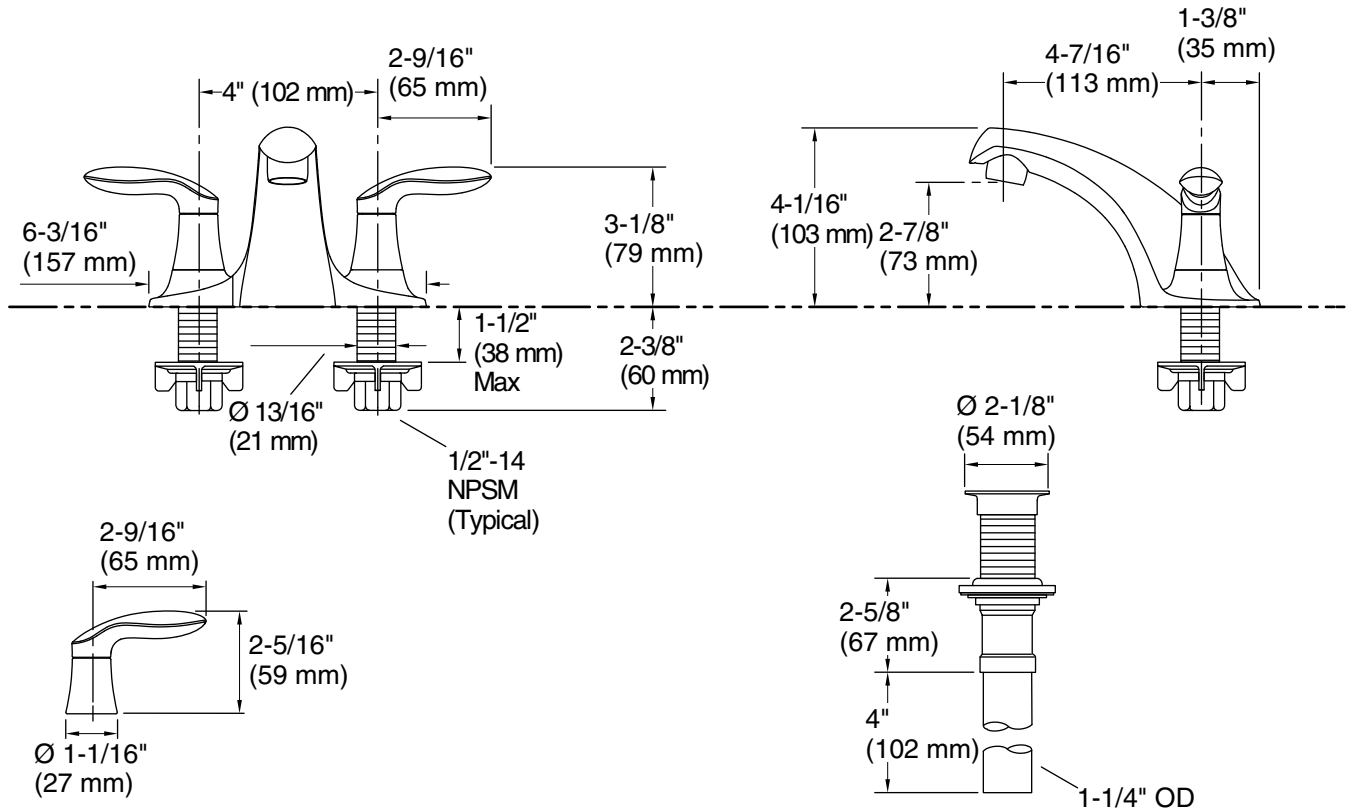
KOHLER® One-Year Limited Warranty

See website for detailed warranty information.

Available Colors/Finishes

Color tiles intended for reference only.

Color	Code	Description
	CP	Polished Chrome



Technical Information

All product dimensions are nominal.

Faucet:

Flow rate: 0.5 gal/min (1.9 l/min)
 Pressure: 60 psi (4.1 bar)
 Valve body: Machined-brass
 Drain with overflow: Yes

Spout:

Spout reach: 4-7/16" (113 mm)

Notes

Install this product according to the installation guide.

ADA compliant for handles only.

ADA, OBC, CSA B651 compliant when installed to the specific requirements of these regulations.