

Features

- MasterClean™ sprayface features an easy-to-clean surface that withstands mineral buildup.
- Advanced spray engine with easy-to-clean sprayface and four alternate spray experiences: wide coverage, massage, soft aerated, and reduced flow.
- 2.5 gpm (9.5 lpm) maximum flow rate.
- Bracket or sidebar required for wall-mount installation.
- Deck-mount holder required for deck-mount installation.
- Shower hose sold separately.
- Coordinates with Forté® faucets, accessories, and showering components to complete your bathroom.
- 4-11/16" (119 mm) x 4-3/4" (121 mm) x 11-15/16" (303 mm)
- Features a nonpositive shutoff: water-saving pause mode to temporarily reduce water flow.

Material

- Premium metal construction for durability and reliability.
- KOHLER finishes resist corrosion and tarnishing.

Installation

- Wall- or deck-mount.

Recommended Replacements

- This product is replaced by 22165.

Required Products/Accessories

K-9514 60" Shower Hose

or

K-8593 72" Shower Hose

Recommended Products/Accessories

K-23723 Faucet cleaner



ADA

CSA B651

OBC

Codes/Standards

ASME A112.18.1/CSA B125.1

DOE - Energy Policy Act 1992

ADA

ICC/ANSI A117.1

CSA B651




OBC

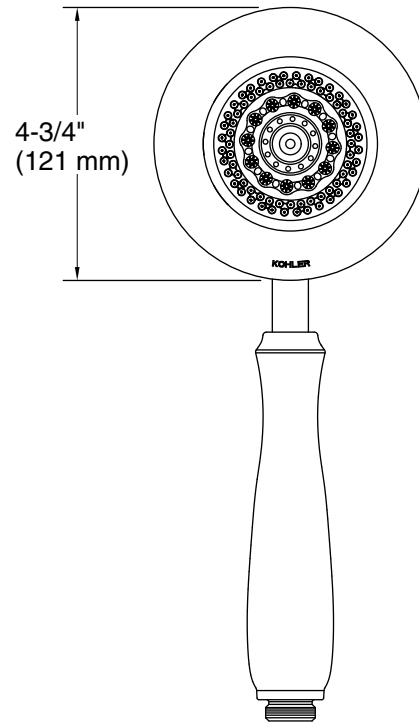
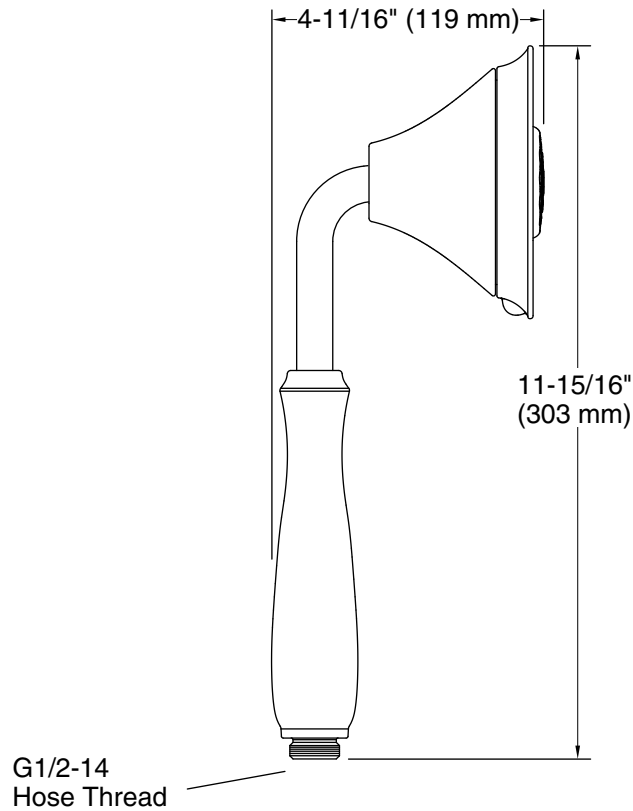
KOHLER® Faucet Lifetime Limited Warranty

See website for detailed warranty information.

Available Colors/Finishes

Color tiles intended for reference only.

Color	Code	Description
	CP	Polished Chrome
	SN	Vibrant® Polished Nickel
	AF	Vibrant® French Gold
	PB	Vibrant® Polished Brass
	G	Brushed Chrome
	BN	Vibrant® Brushed Nickel
	BV	Vibrant® Brushed Bronze
	2BZ	Oil-Rubbed Bronze



Technical Information

All product dimensions are nominal.

Drain included: No

Handshower:

Rated maximum flow: 2.5 gal/min (9.5 l/min)

Notes

Install this product according to the installation guide.

Plumbing codes require an atmospheric vacuum breaker (such as Kohler Model K-9660) be installed in-line with handshowers. Please consult with local plumbing officials.

ADA, OBC, CSA B651 compliant when installed to the specific requirements of these regulations.