



# Iron Plains®

12" round drop-in/undermount/vessel bathroom sink  
with White painted underside  
**K-20211-W**

## Features

- Small round basin
- No faucet holes; requires wall- or counter-mount faucet
- Overflow drain

## Material

- KOHLER® enameled cast iron
- Painted underside in White

## Installation

- Vessel, drop-in, or undermount

## Recommended Products/Accessories

- K-23726 Drain treatment
- K-23725 Cast iron cleaner



ADA

CSA B651

OBC

## Codes/Standards

ASME A112.19.1/CSA B45.2  
ADA  
ICC/ANSI A117.1  
CSA B651  
OBC

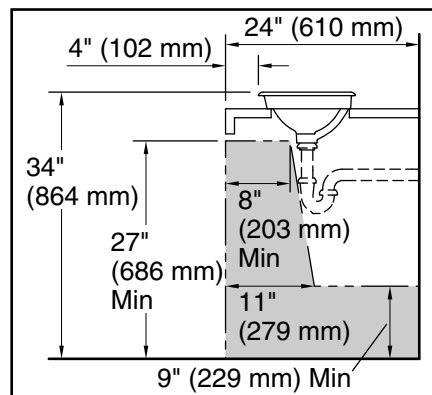
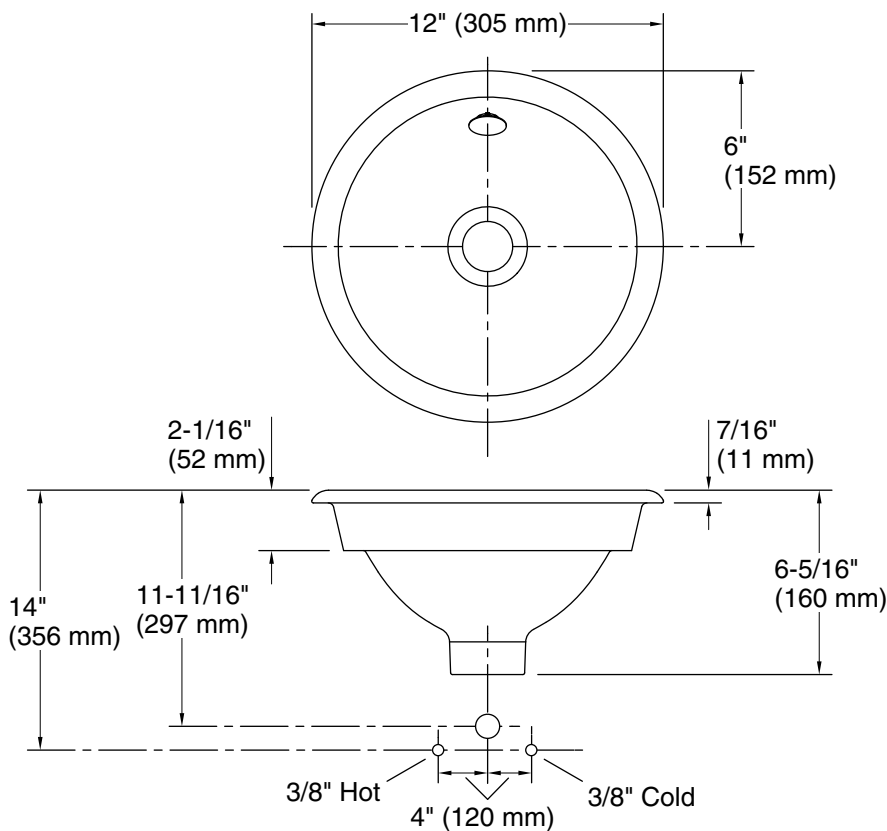
## KOHLER® Enameled Cast Iron Kitchen and Bathroom Sink Lifetime Limited Warranty

See website for detailed warranty information.

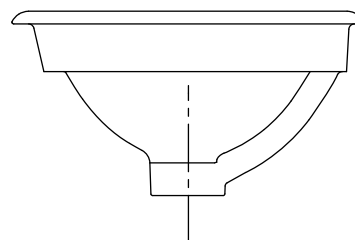


# Iron Plains®

12" round drop-in/undermount/vessel bathroom sink  
with White painted underside  
**K-20211-W**



Recommended ADA Installation



## Technical Information

All product dimensions are nominal.

- Basin configuration: Single Bowl
- Bowl area (Only): Length: 10-3/16" (259 mm)  
Width: 10-3/16" (259 mm)  
Bowl depth: 4-1/2" (115 mm)
- With overflow: Yes
- Drain hole: 1-3/4" (44 mm)
- Template: 1319047-7, required, included

## Notes

Install this product according to the installation instructions.

NOTICE: Countertop manufacturer or cutter must use the cut-out template provided with the product, or a current one provided by Kohler Co. (call 1-800-4-KOHLER). Kohler Co. is not responsible for cutout errors when the incorrect cut-out template is used.

ADA, OBC, CSA B651 compliant when installed to the specific requirements of these regulations.