

### Features

- Left-hand trip lever.
- For use with K-11452 and K-11453 Kelston Comfort Height® two-piece toilets.
- Coordinates with other products in the Kelston collection.

### Material

- Solid-brass construction for durability and reliability.
- KOHLER finishes resist corrosion and tarnishing.

### Recommended Products/Accessories

K-23723 Faucet cleaner



ADA CSA B651 OBC

### Codes/Standards

ASME A112.18.1/CSA B125.1

ADA

ICC/ANSI A117.1

CSA B651

OBC

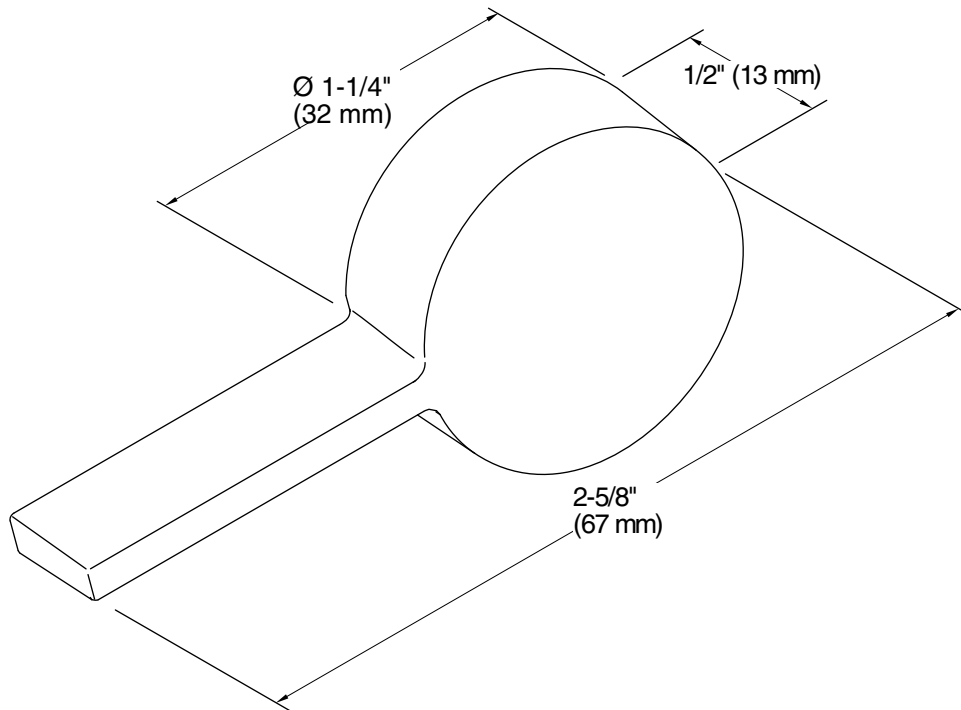
### KOHLER® One-Year Limited Warranty

See website for detailed warranty information.

### Available Colors/Finishes

*Color tiles intended for reference only.*

Color	Code	Description
	SN	Vibrant® Polished Nickel
	PB	Vibrant® Polished Brass
	BN	Vibrant® Brushed Nickel
	BV	Vibrant® Brushed Bronze
	2BZ	Oil-Rubbed Bronze



### Technical Information

All product dimensions are nominal.

Material: Brass

### Notes

ADA, OBC, CSA B651 compliant when installed to the specific requirements of these regulations.