

Features

- 15" apron height for easy entrance and exit.
- Wide ledges for functional storage space - 4" front and 3" back.
- Integral apron.
- Integral lumbar support.

Material

- KOHLER® enameled cast iron.
- Cast iron with Safeguard® finish.
- Painted exterior surface smoothness can vary from product to product.

Installation

- Integral flange.
- Left drain.
- Alcove.

Required Products/Accessories

K-37380 30" Rough-in Cable Bath Drain

or

K-37383 Rough-in cable bath drain, PVC, 30" cable with tubing

or

K-7259 Brass toe tap bath drain

Recommended Products/Accessories

K-952 Wall-mount Non-diverter Bath Spout
K-14426 35° Bath spout
K-14427 90° Bath spout
K-15137 Wall-mount Non-diverter Bath Spout
K-15138 Wall-mount Diverter Bath Spout
K-16246 Wall-mount Non-diverter Bath Spout
K-330
K-1601 Bath/whirlpool footstop, removable
K-702200-G73 Frameless Sliding Bath Door
K-702200-L Frameless Sliding Bath Door
K-706000-D3 Frameless Sliding Bath Door
K-706000-L Frameless Sliding Bath Door
K-706003-L Frameless Sliding Bath Door
K-706004-D3 Frameless Sliding Bath Door
K-706004-L Frameless Sliding Bath Door
K-706007-L Frameless Sliding Bath Door
K-23726 Drain treatment
K-23725 Cast iron cleaner



ADA

Codes/Standards

ASME A112.19.1/CSA B45.2

ASTM F462

ADA

ICC/ANSI A117.1

KOHLER® Enameled Cast Iron Bath and Shower Base Lifetime Limited Warranty

See website for detailed warranty information.

Available Colors/Finishes

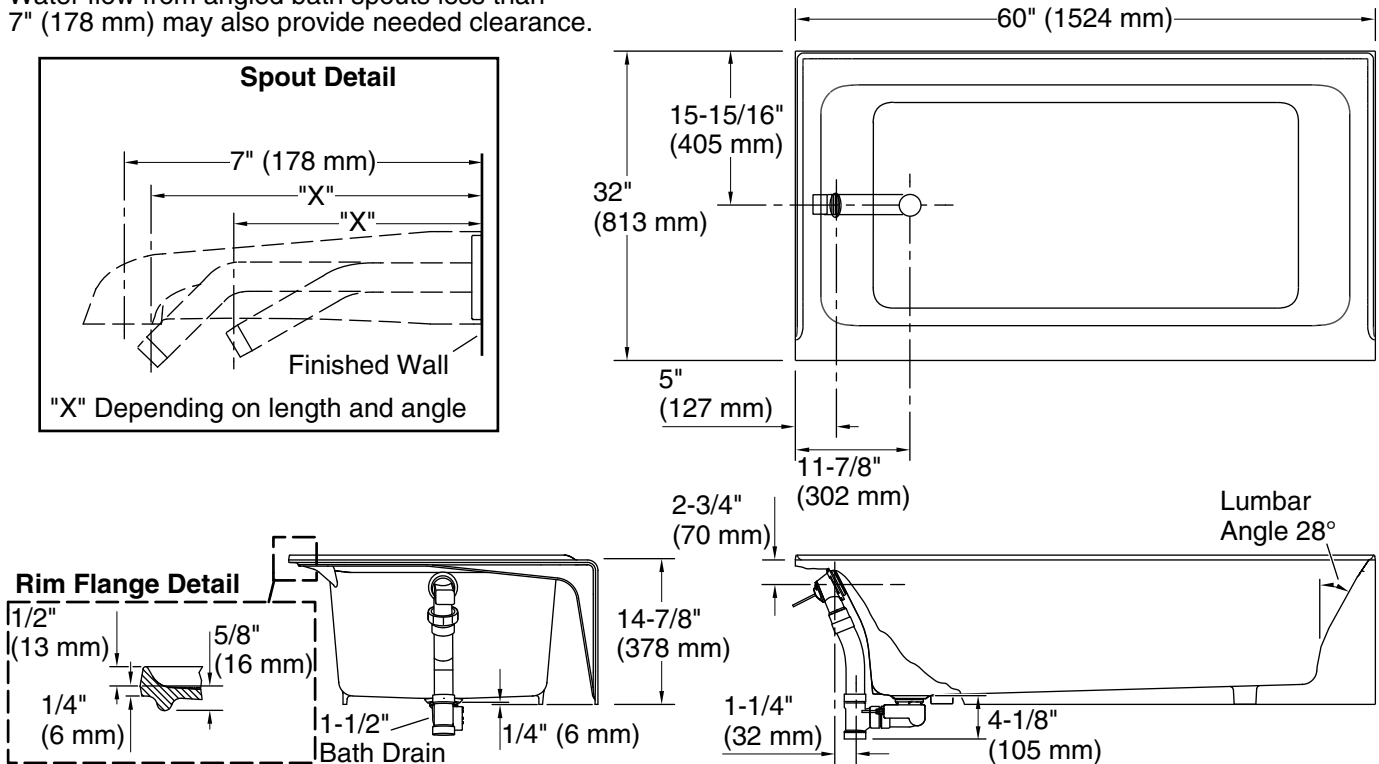
Color tiles intended for reference only.

| Color | Code | Description |
|-------|------|-------------|
|-------|------|-------------|

| | | |
|---|----|---------|
|  | 0 | White |
|  | 96 | Biscuit |
|  | NY | Dune |
|  | G9 | Sandbar |

Note: To clear the bath rim end wall, a minimum 7" (178 mm) bath spout is recommended. Water flow from angled bath spouts less than 7" (178 mm) may also provide needed clearance.

No change in measurements if connected with drain illustrated. (K-37383)



Technical Information

All product dimensions are nominal.

| | |
|------------------------|---|
| Installation: | Three-wall alcove |
| Drain location: | Left |
| Basin area, bottom: | 43-7/8" x 21" (1114 mm x 533 mm) |
| Basin area, top: | 51-1/4" x 23-5/16" (1302 mm x 592 mm) |
| Weight: | 327 lbs (148.3 kg) |
| Minimum floor load: | 52 lbs/ft ² (253.9 kg/m ²) |
| Water depth: | 11-5/16" (287 mm) |
| Water capacity: | 44 gal (166.6 L) |
| Minimum flat for door: | 2-5/16" (59 mm) |

Notes

Measure your actual product for rough-in details.

Install this product according to the installation instructions.

The hot water supply should be 70% of the capacity of the bath or greater. Installations will vary.

ADA compliant when installed to the specific requirements of these regulations.