

Features

- Compression valve.
- Pair of angle supplies with stop.
- Annealed vertical tube with union connection.
- ½" NPT connection with flange.
- Loose key stop.

Material

- Brass.

Recommended Products/Accessories

K-23723 Faucet cleaner



Codes/Standards

ASME A112.18.1/CSA B125.1

NSF/ANSI 61

NSF/ANSI 372

All applicable US Federal and State material regulations

KOHLER® One-Year Limited Warranty

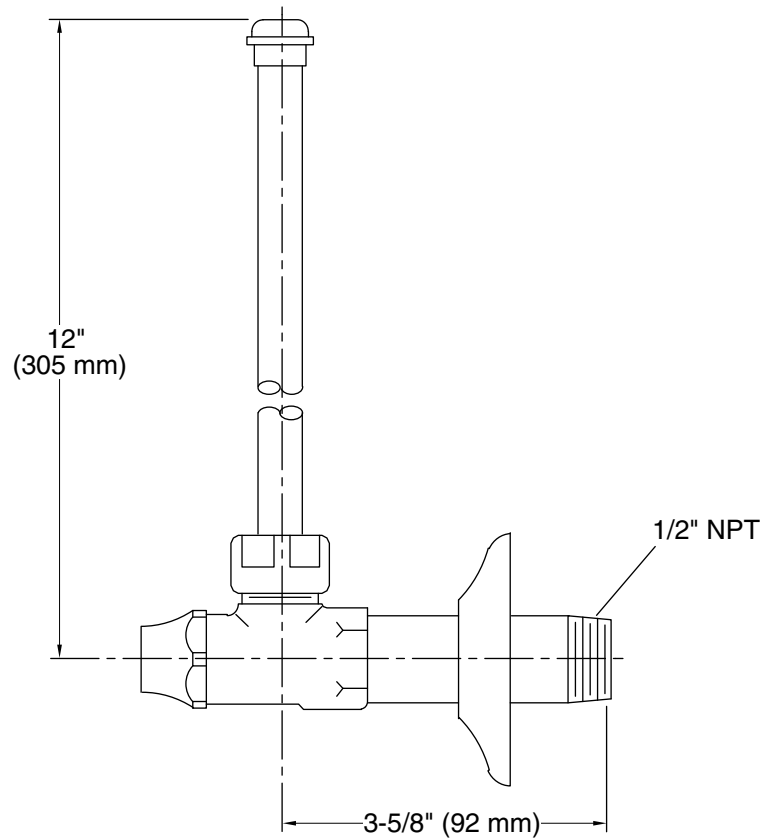
See website for detailed warranty information.

Available Colors/Finishes

Color tiles intended for reference only.

Color	Code	Description
-------	------	-------------

	CP	Polished Chrome
---	----	-----------------



Technical Information

All product dimensions are nominal.

Notes

Install this product according to the installation guide.