

Features

- Safeguard® slip-resistant surface on bath floor.
- 60"L x 30-1/4"W x 14"H.
- Integral apron for quick installation.
- KOHLER® enameled cast iron.

Recommended Products/Accessories

- K-1491 Bath/Whirlpool Pillow
- K-1601 Bath/whirlpool footstop, removable
- K-7160-TF 1-1/2" adjustable pop-up drain
- K-7213 27" Cable Bath Drain
- K-7214 27" Cable Bath Drain
- K-702200-G73 Frameless Sliding Bath Door
- K-702200-L Frameless Sliding Bath Door
- K-706000-D3 Frameless Sliding Bath Door
- K-706000-L Frameless Sliding Bath Door
- K-706003-L Frameless Sliding Bath Door
- K-706004-D3 Frameless Sliding Bath Door
- K-706004-L Frameless Sliding Bath Door
- K-706007-L Frameless Sliding Bath Door
- K-23726 Drain treatment
- K-23725 Cast iron cleaner
- K-702200-6L Frameless sliding bath door (Qty 5)



ADA

Codes/Standards






ASME A112.19.1/CSA B45.2
ASTM F462
ADA
ICC/ANSI A117.1

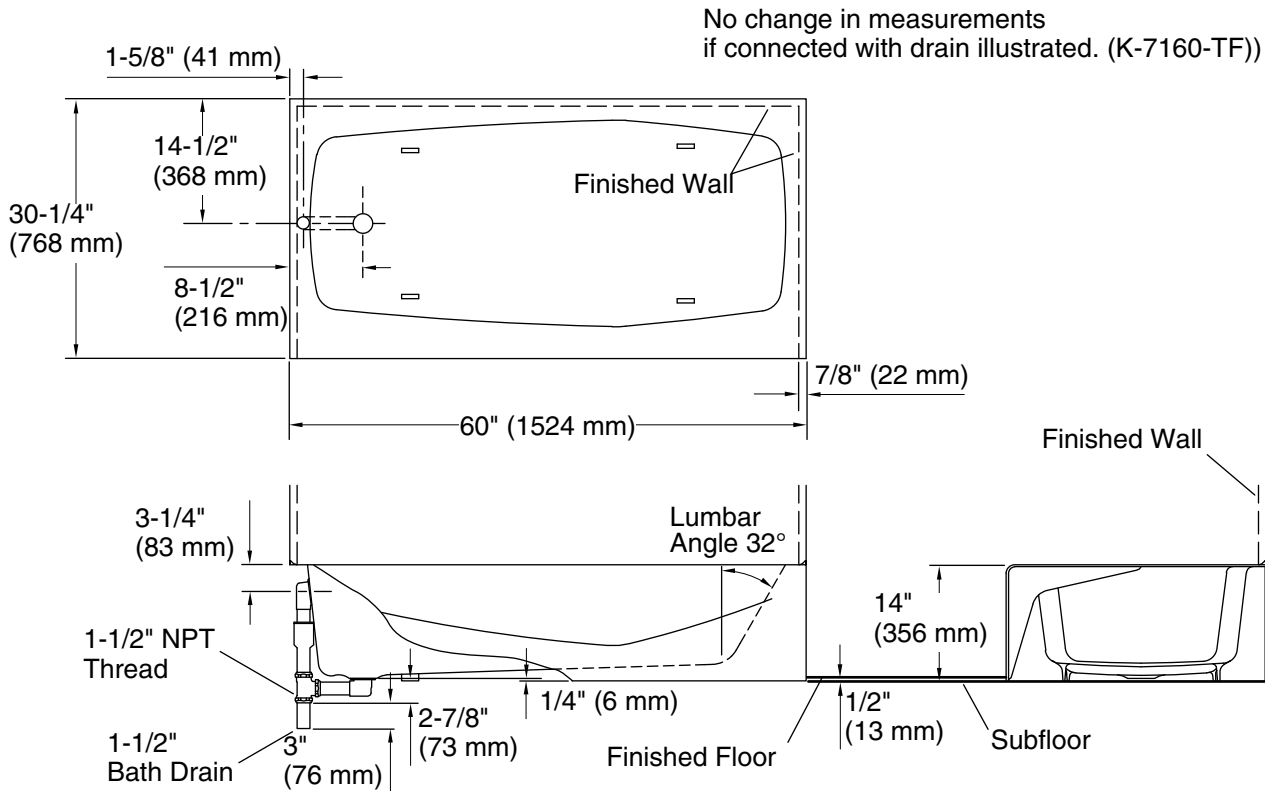
KOHLER® Enameled Cast Iron Bath and Shower Base Lifetime Limited Warranty

See website for detailed warranty information.

Available Colors/Finishes

Color tiles intended for reference only.

| Color | Code | Description |
|---|------|-------------|
|  | 0 | White |
|  | 96 | Biscuit |
|  | 47 | Almond |
|  | 95 | Ice™ Grey |
|  | 45 | Wild Rose™ |



Technical Information

All product dimensions are nominal.

| | |
|------------------------|---|
| Installation: | Three-wall alcove |
| Drain location: | Left |
| Basin area, bottom: | 45" x 22" (1143 mm x 559 mm) |
| Basin area, top: | 55" x 24" (1397 mm x 610 mm) |
| Weight: | 316 lbs (143.3 kg) |
| Minimum floor load: | 49 lbs/ft ² (239.2 kg/m ²) |
| Water depth: | 8-5/8" (219 mm) |
| Water capacity: | 33 gal (124.9 L) |
| Minimum flat for door: | 2-1/2" (64 mm) |

Notes

Measure your actual product for rough-in details.

Install this product according to the installation instructions.

The hot water supply should be 70% of the capacity of the bath or greater. Installations will vary.

ADA compliant when installed to the specific requirements of these regulations.