

### Features

- Large basin allows placement of more volume.
- 2-1/2" trapway larger than most residential toilet trapways.
- Rim holes provide a uniform cascade of water to keep sides of sink clean.
- Blow-out action flushing rim.
- 1-1/2" (38 mm) top spud.
- Sink requires 5 - 7 gpf (19 - 27 lpf) valve, and minimum running pressure of 25 psi (172 kPA).
- Siphon jet provides a powerful surge of water to effectively eliminate maximum debris or waste.

### Material

- Crafted of Grade A vitreous china to provide a durable, nonporous product with a glossy finish.
- Vitreous china.

### Recommended Products/Accessories

K-8935 Stainless Steel Rim Guard  
21401 Closet Bolt Assembly  
K-8801 Sink drain and strainer with tailpiece  
K-8799 Sink drain and strainer basket  
K-23726 Drain treatment  
K-23725 Cast iron cleaner

### Optional Products/Accessories

K-11352 Disposal Flange with Stopper

### Included Components

Additional Components:  
1.5" spud  
Bolt caps (pair)



### Codes/Standards

ASME A112.19.2/CSA B45.1


### KOHLER® One-Year Limited Warranty

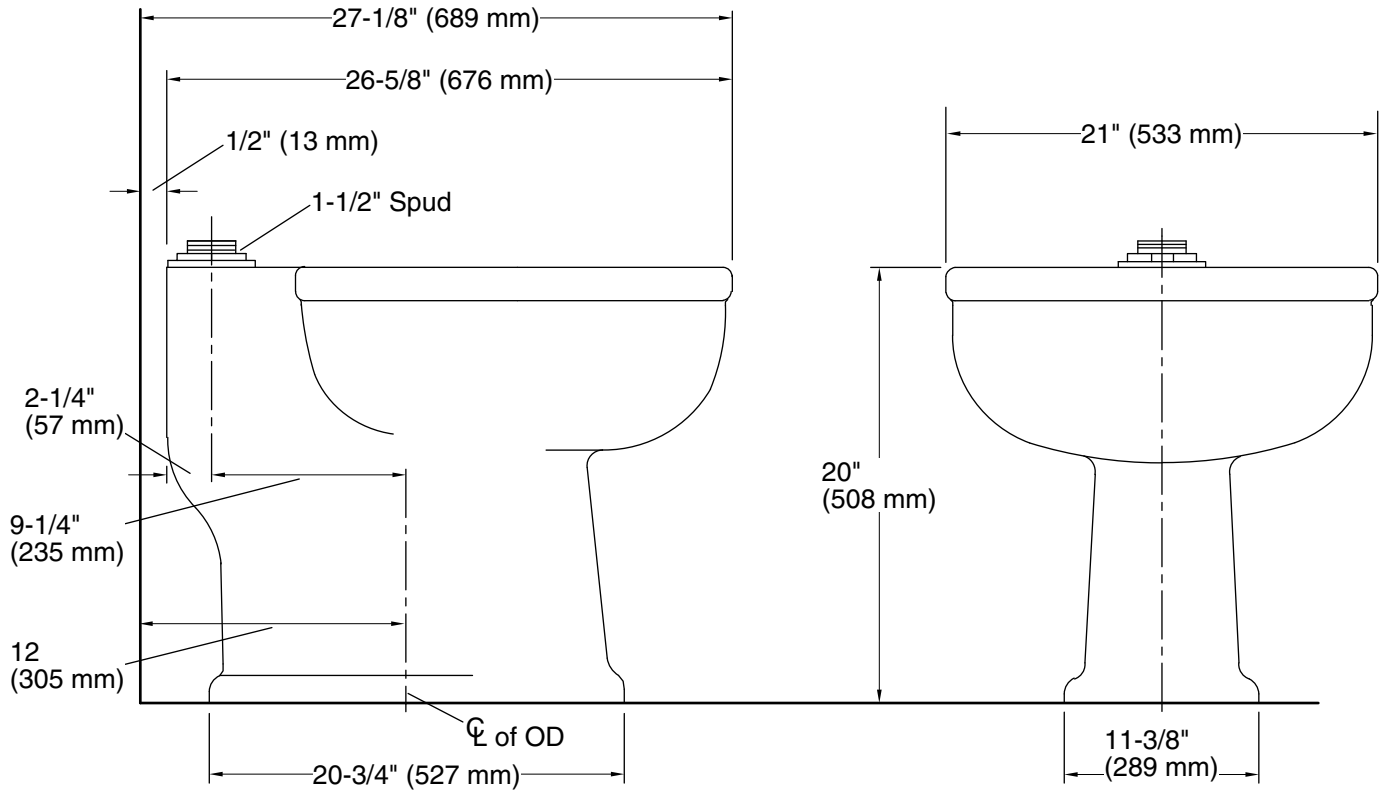
See website for detailed warranty information.

### Available Colors/Finishes

*Color tiles intended for reference only.*

Color	Code	Description
-------	------	-------------

	0	White
---	---	-------



## Technical Information

All product dimensions are nominal.

Bowl configuration:	Single
Installation:	Freestanding
Bowl area (Only):	Length: 17" (432 mm) Width: 17" (432 mm) Water depth: 7-5/8" (194 mm)
Number of deck holes:	1
Drain hole:	2-5/8" (67 mm)

## Notes

Install this product according to the installation instructions.