

Features

- Revolutionary funnel design virtually eliminates splashback.
- KOHLER-engineered water flushing spreader successfully rinses the inverted back wall, sides, and front of the urinal basin for a more sanitary customer experience.
- Ultra-low consumption. Operates at 0.125 gpf (0.47 lpf).
- 3/4" (19 mm) top spud.
- Includes removable strainer, 2" outlet spud, universal mounting bracket, and hangers.
- Large footprint covers old urinal wall print.
- Washout urinal.
- 0.125 gpf (0.47 lpf).
- 15-5/8" (397 mm) extended rim.

Material

- Vitreous china.
- Vitreous china.

Installation

- 29-5/8" H x 15" W x 15-5/8" D.

Water Conservation & Rebates

- Offers 80% water savings compared to standard 1.0-gpf urinals.
- This product can help a building earn Water Efficiency points in LEED® Green Building Rating System.

Recommended Products/Accessories

- K-23726 Drain treatment
- K-4929 Waterless Urinal Maintenance Balls
- K-7528 Touchless hybrid 0.125 gpf washdown urinal flushometer
- K-7546 Exposed hybrid 0.125 gpf washdown urinal flushometer
- K-7546-RF
- K-10668-SV Touchless washdown 0.125 gpf urinal flushometer
- K-10949-SV Touchless DC 0.125 gpf urinal flushometer
- K-76317 Manual 1/8 GPF Urinal Flushometer

Included Components

Additional Components:

- 2" outlet spud
- 3/4" inlet spud
- Hanger(s) (Qty 2)
- Removable strainer
- Universal mounting bracket



ADA

Codes/Standards

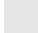



ASME A112.19.2/CSA B45.1
DOE - Energy Policy Act 1992
EPA WaterSense®
California Energy Commission (CEC)
ADA
ICC/ANSI A117.1

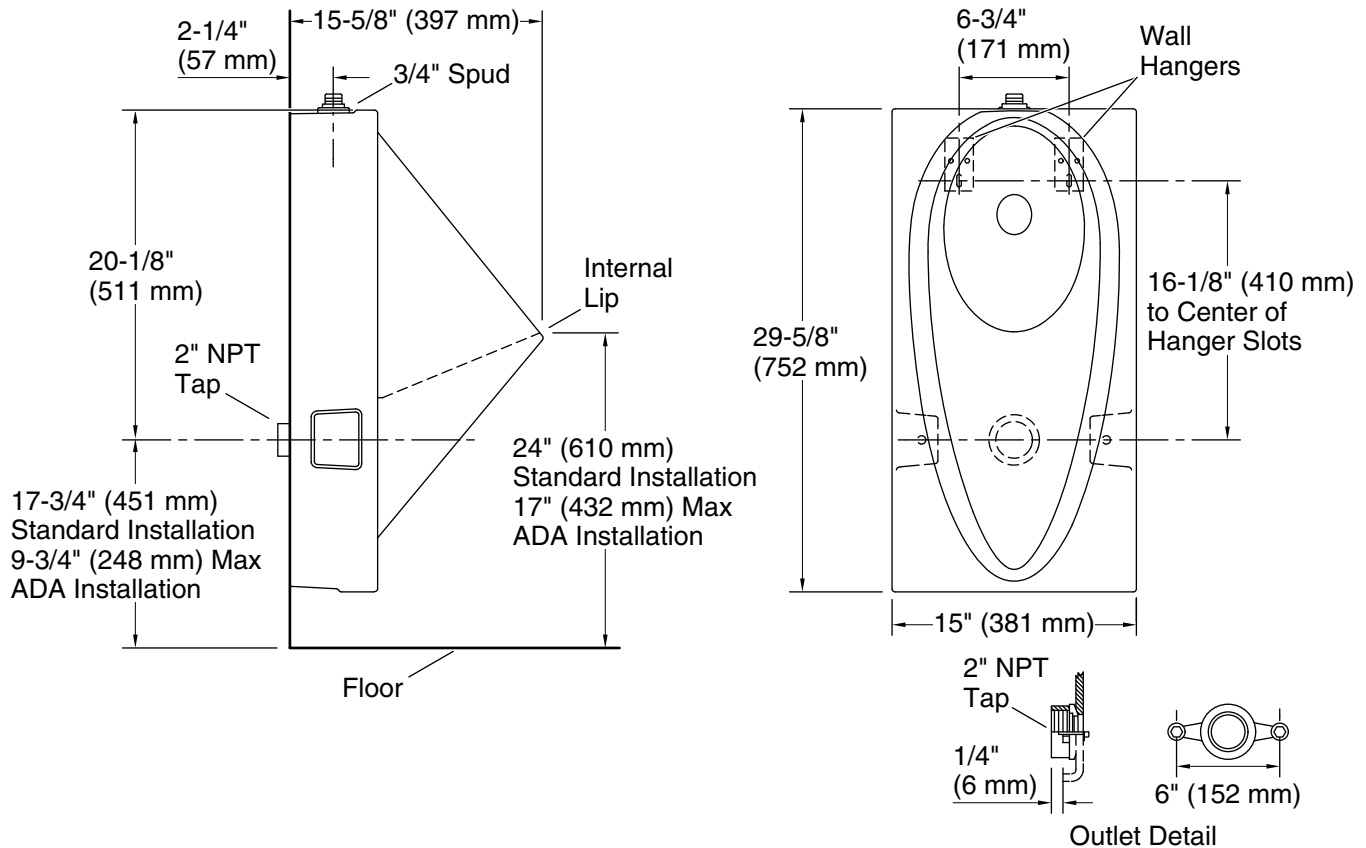
KOHLER® One-Year Limited Warranty

See website for detailed warranty information.

Available Colors/Finishes

Color tiles intended for reference only.

| Color | Code | Description |
|---|------|--------------|
|  | 0 | White |
|  | 96 | Biscuit |
|  | 47 | Almond |
|  | 7 | Black Black™ |



Technical Information

All product dimensions are nominal.

| | |
|--------------------------|-------------------|
| Flush outlet technology: | Washout |
| Spud size: | 3/4", Inlet, Top |
| Min. Water per Flush: | 0.125 gal (0.5 L) |
| Max. Water per Flush: | 0.125 gal (0.5 L) |

Designed for the above water use when installed with a water-saving flushometer.

Notes

Designed only for use with a 0.125 gpf (0.5 lpf) flushometer.

Install this product according to the installation guide.

Recommended ADA outlet spud height will account for normal product variation.

For ADA compliance, measurement must be 17" (432 mm) or less from the floor to the top of the lip.

ADA compliant when installed to the specific requirements of these regulations.