

Features

- 27" (686 mm) minimum base cabinet width.
- Single bowl.
- 7-1/2" (191 mm) depth.
- Rear drain increases workspace in the sink and storage space underneath.
- Includes installation hardware.

Material

- Premium 18-gauge stainless steel.

Installation

- Undermount.

Recommended Products/Accessories

- K-3192 Sink rack for Iron/Tones® kitchen sinks
- K-6391 Sink rack for Undertone® sinks
- K-8801 Sink drain and strainer with tailpiece
- K-8799 Sink drain and strainer basket
- K-23726 Drain treatment
- K-23729 Stainless steel cleaner

Optional Products/Accessories

- K-11352 Disposal Flange with Stopper

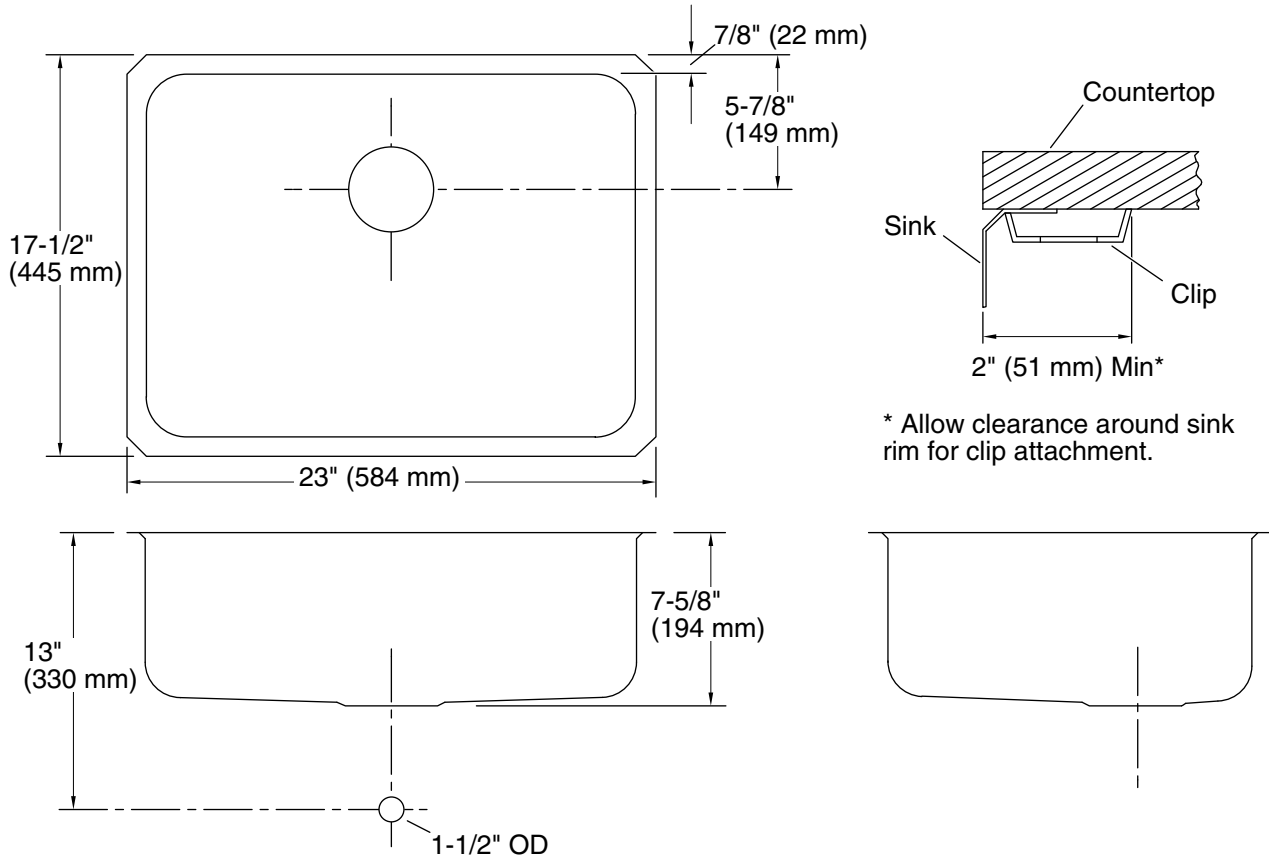


Codes/Standards

ASME A112.19.3/CSA B45.4

Lifetime Limited Warranty for KOHLER® Stainless Steel Sinks

See website for detailed warranty information.



* Allow clearance around sink rim for clip attachment.

Technical Information

All product dimensions are nominal.

Installation:	Under-mount
Min. base cabinet width:	27" (686 mm)
Bowl area (Center):	Length: 21-1/4" (540 mm) Width: 15-3/4" (400 mm) Bowl depth: 7-1/2" (191 mm) Water depth: 7-1/2" (191 mm)
Drain hole:	3-3/4" (94 mm)
Template:	113193-7, required, included

Notes

Install this product according to the installation instructions.