

Features

- Complements Artifacts faucets and accessories.
- Versatile design that features a frosted shade surrounded by a clear glass shade.
- For a vintage look, remove the optional frosted glass and add any E26 medium-base Edison bulb (sold separately).
- For soft lighting, use an E26 medium-base type B light bulb with the frosted shade (bulb sold separately).
- A 10' cord offers many height options.

Material

- Manufactured with quality materials and complemented with a meticulous finishing process.
- Durable finishes engineered to last and designed to coordinate with KOHLER faucet finishes.

Recommended Products/Accessories

K-23723 Faucet cleaner

Included Components

Additional Components:
Installation hardware



Codes/Standards

UL 1598
CSA C22.2 No. 250

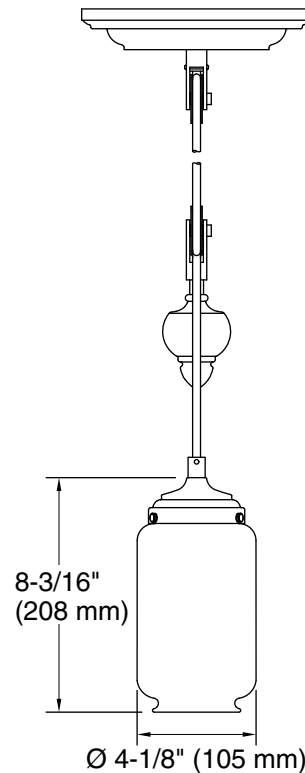
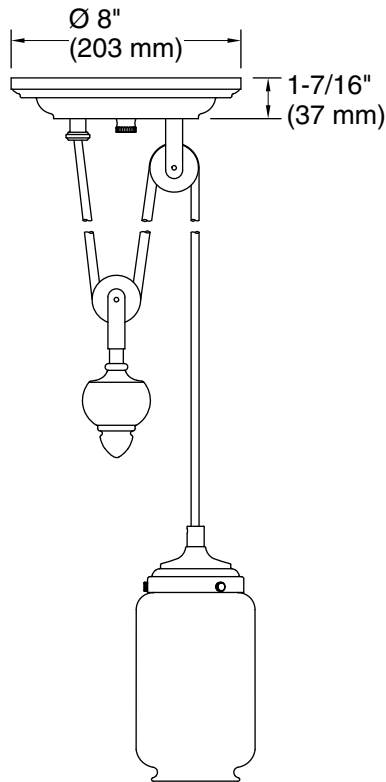
KOHLER® Lighting Limited Warranty

See website for detailed warranty information.

Available Colors/Finishes

Color tiles intended for reference only.

Color	Code	Description
	SNL	Polished Nickel
	BGL	Moderne Brushed Gold
	BZL	Oil-Rubbed Bronze
	CPL	Polished Chrome



Required Electrical Service

One circuit required.

Lights: 120 V, 60 Hz

Technical Information

All product dimensions are nominal.

Installation Type: Ceiling-mount

Material: Brass

Number of Lights: 1

Lighting Type: Socket-based

Socket Type: E-26 Medium

Number of Shades: 2

Shade Type: Glass - frosted, Glass - clear

Hanging Type: Adjustable pulley

Height: 18-1/2" (470 mm) - 138-1/2" (3518 mm)

Electrical component rating: Socket Rating: 60 Hz, 40 W, 450 Lumens, 3000K