

Features

- Three-function pull-down sprayhead allows you to switch between stream, Sweep® spray and BerrySoft® spray.
- Sweep® spray is a wide, powerful blade of water that sweeps your dishes and sink clean.
- BerrySoft® is a light spray ideal for washing hands, rinsing delicate dishware and prepping fruits and vegetables.
- DockNetik® magnetic docking system securely locks the sprayhead into place when not in use.
- ProMotion® technology allows the pull-down sprayhead to swivel for more comfortable use.
- High-arch 360° rotating swing spout offers vertical clearance for tall cookware and pitchers.
- 10-3/4" (273 mm) swing spout reach.
- 1.5 gpm (5.7 lpm) maximum flow rate at 60 psi (4.1 bar).
- Single lever handle makes adjusting water temperature easy.
- Temperature memory allows faucet to be turned on and off at the temperature set during prior usage.
- MasterClean™ sprayface withstands mineral buildup to wipe clean easily without cleaning products.
- KOHLER® ceramic disc valves exceed industry longevity standards, ensuring durable performance for life.

Material

- Premium metal construction for durability and reliability.
- KOHLER finishes resist corrosion and tarnishing.

Installation

- Deck-mount.
- Single-hole (3-hole escutcheon available; K-22071, sold separately).
- Flexible supply lines simplify installation.

Adapters, Rough-in and Extension Kits

1012715 Range: 2-1/2" (64 mm) - 4-5/8" (118 mm)

Optional Products/Accessories

K-22071 Three-hole kitchen faucet escutcheon



ADA CSA B651

Codes/Standards




ASME A112.18.1/CSA B125.1
NSF/ANSI 61
NSF/ANSI 372
All applicable US Federal and State material regulations
DOE - Energy Policy Act 1992
California Energy Commission (CEC)
ADA
ICC/ANSI A117.1
CSA B651

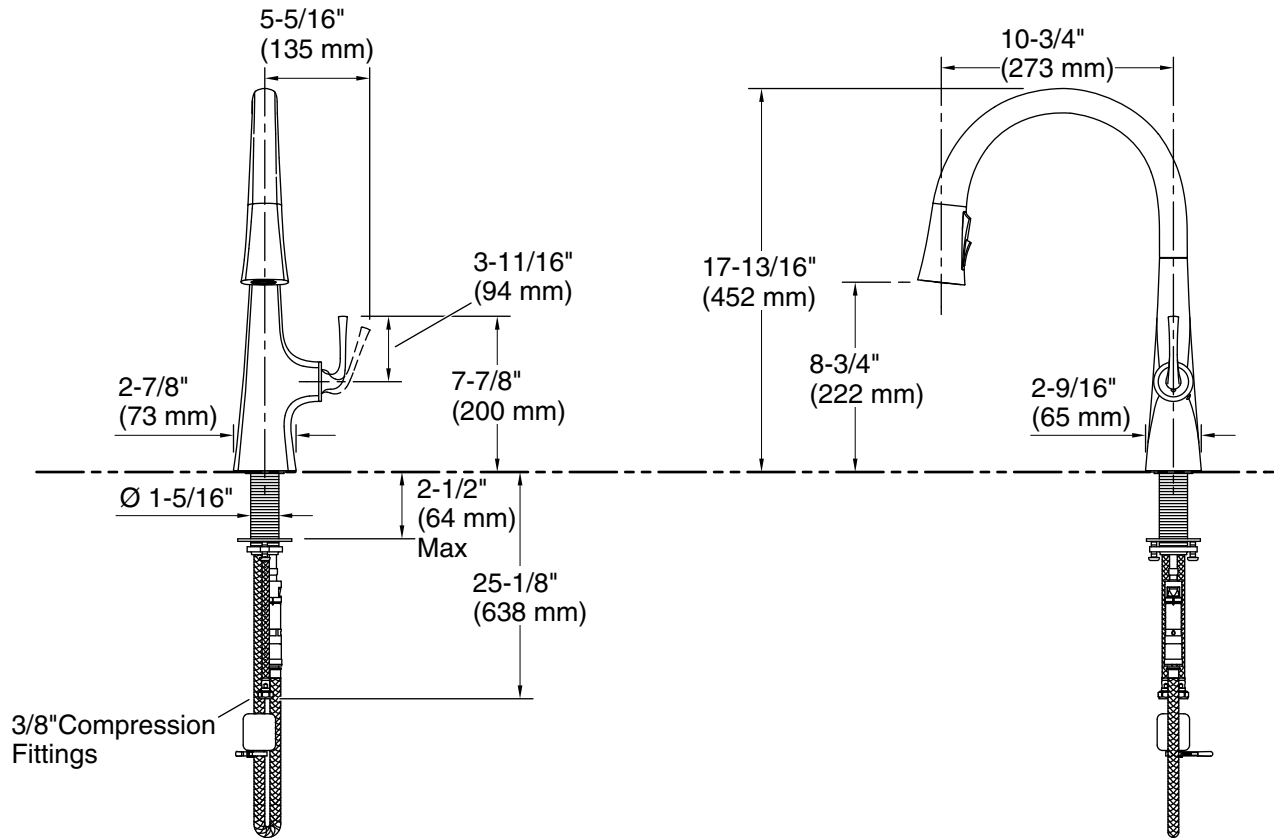
KOHLER® Faucet Lifetime Limited Warranty

See website for detailed warranty information.

Available Colors/Finishes

Color tiles intended for reference only.

Color	Code	Description
	CP	Polished Chrome
	VS	Vibrant® Stainless
	BL	Matte Black



Technical Information

All product dimensions are nominal.

Faucet:

Flow rate: 1.5 gal/min (5.7 l/min)
 Pressure: 60 psi (4.1 bar)
 Valve body: Plastic
 Drain included: No

Notes

Install this product according to the installation instructions.

ADA, CSA B651 compliant when installed to the specific requirements of these regulations.