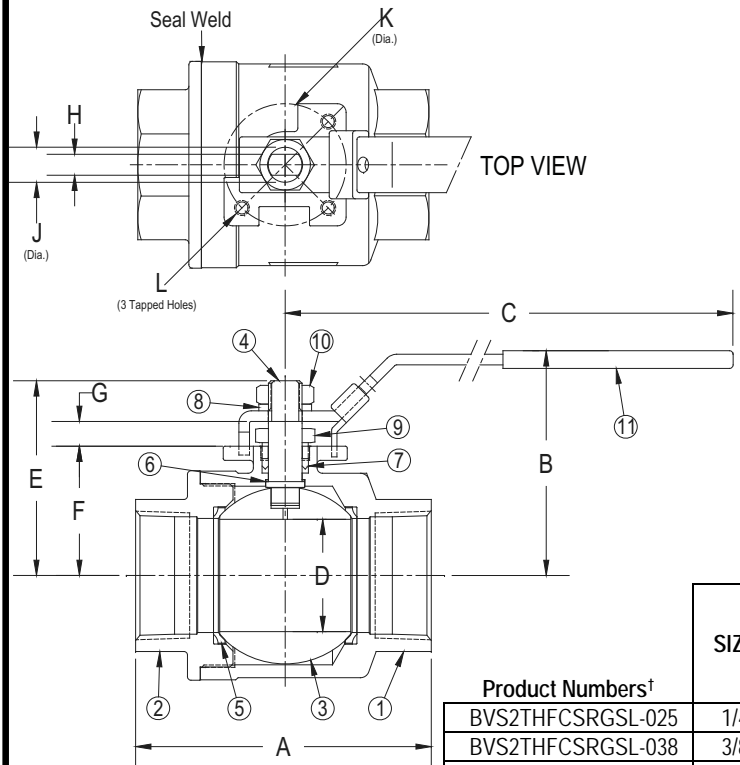


DRAWING NO.
AL 104800



PARTS LIST		
ITEM	DESCRIPTION	MATERIAL
1	Body	Carbon Steel (ASTM A 216 Gr. WCB)
2	Tailpiece	Carbon Steel (ASTM A 216 Gr. WCB)
3	Ball	Stainless Steel (ASTM A 276 Gr. 316)
4	Stem	Stainless Steel (ASTM A 276 Gr. 316)
5	Seat (2)†	R-PTFE
6	Thrust Washer	R-PTFE
7	Stem Packing	Graphite
8	Spring Washer	Stainless Steel (304SS)
9	Packing Gland	Stainless Steel (ASTM A 276 Gr. 316)
10	Lock Nut	Stainless Steel (304SS)
11	Handle	Stainless Steel (300 Series SS)
	Pipe*	Carbon Steel (ASTM A283, CS)
	Handle Bolt*	Stainless Steel (304SS)
	Bolt*	Stainless Steel (304SS)


*Parts referenced are for a 4" size only [Not Shown].
†Optional PEEK Seats for High Temp Service are available.

Product Numbers†	SIZE	DIMENSIONS (in)											ISO Pattern	WEIGHT (lbs)
		A	B	C	D	E	F	G	H	J	K	L		
BVS2THFCSRGSL-025	1/4	2.6	2.2	5.1	0.43	1.53	0.92	0.21	0.20	0.31	1.42	1/4"-20 UNC	F03	1.0
BVS2THFCSRGSL-038	3/8	2.6	2.2	5.1	0.43	1.53	0.92	0.21	0.20	0.31	1.42	1/4"-20 UNC	F03	1.0
BVS2THFCSRGSL-050	1/2	2.6	2.2	5.1	0.50	1.53	0.92	0.21	0.20	0.31	1.42	1/4"-20 UNC	F03	1.1
BVS2THFCSRGSL-075	3/4	2.9	2.8	5.7	0.81	2.26	1.30	0.37	0.28	0.44	1.65	1/4"-20 UNC	F04	1.7
BVS2THFCSRGSL-100	1	3.4	3.0	5.7	1.00	2.49	1.47	0.41	0.28	0.44	1.65	1/4"-20 UNC	F04	2.7
BVS2THFCSRGSL-125	1-1/4	3.8	3.6	7.3	1.25	2.92	1.77	0.44	0.35	0.56	1.97	1/4"-20 UNC	F05	3.9
BVS2THFCSRGSL-150	1-1/2	4.3	3.8	7.8	1.50	3.18	2.02	0.44	0.35	0.56	1.97	1/4"-20 UNC	F05	5.9
BVS2THFCSRGSL-200	2	4.8	4.4	7.8	2.00	3.64	2.38	0.55	0.35	0.56	1.97	1/4"-20 UNC	F05	9.5
BVS2THFCSRGSL-250	2-1/2	6.5	5.0	13.9	2.50	4.33	2.88	0.55	0.47	0.75	2.76	5/16"-18 UNC	F07	17.0
BVS2THFCSRGSL-300	3	7.2	5.4	13.9	3.00	4.73	3.27	0.55	0.47	0.75	2.76	5/16"-18 UNC	F07	25.1
BVS2THFCSRGSL-400	4	8.4	7.3	18.0	4.00	5.94	4.63	0.55	0.67	1.03	2.76	5/16"-18 UNC	F07	44.1

†See "Style BVS2 Product Number Configuration" for additional options.

BODY PRESSURE & TEMPERATURE RATINGS – NON SHOCK			
MEDIA	1/2" to 2"	2 1/2" to 3"	4"
W.O.G.	2220 PSI @ 100°F	1500 PSI @ 100°F	1000 PSI @ 100°F
Saturated Steam (WSP)	200 PSI @ 388°F		

Note: Optional PEEK Seats WSP is 250 PSIG @ 406°F

 3400 CLEVELAND SKOKIE ILLINOIS	DRAWING NO. AL 104800
	PART NO.
DIMENSIONAL ASSEMBLY	SCALE: NTS
Style BVS2 NPT Ends	DATE: 10/02/2015
Seal Welded High Pressure Ball Valves	DR. BY DSF
MAT'L: (As Noted Above)	REQ. ---