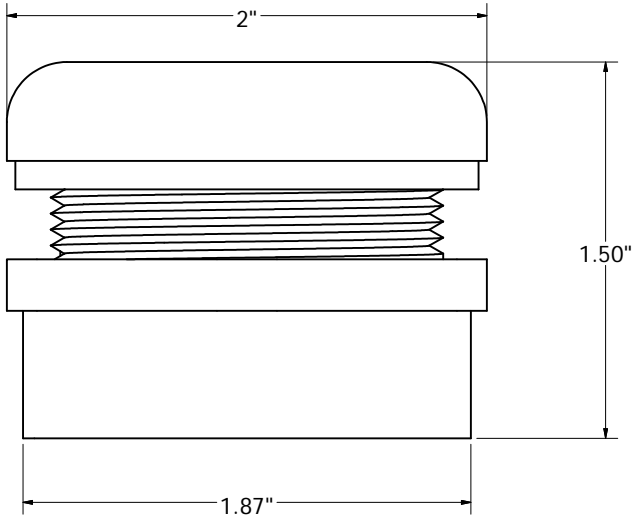
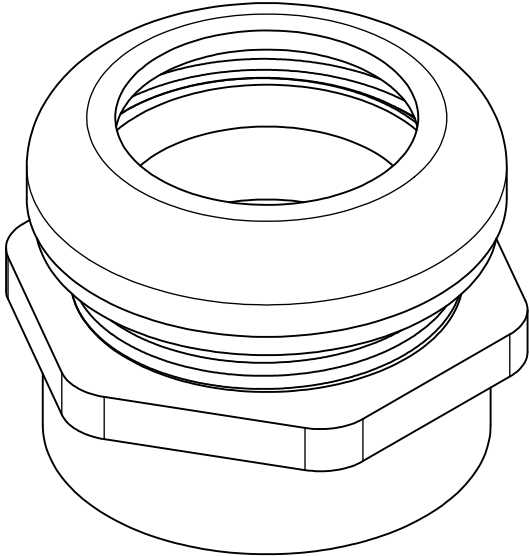
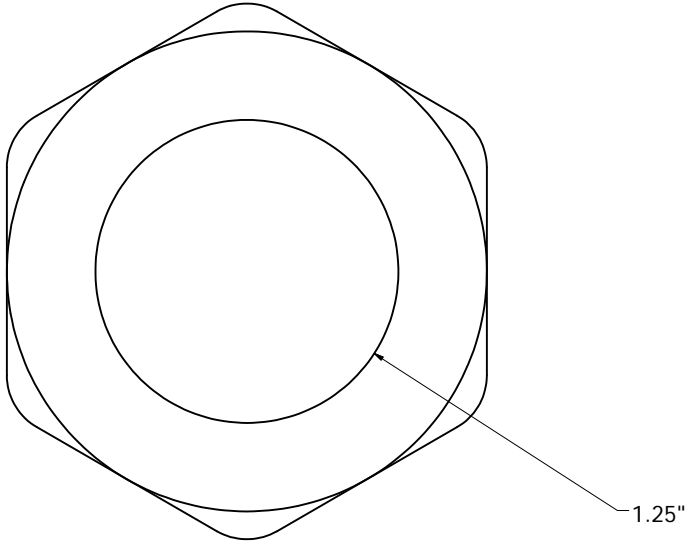


FIP X SLIP WASTE CONNECTOR



- BRASS BODY FERRULE AND NUT; OD IS COPPER TUBULAR DIMENSION
 - MIP UNITS ARE COMBINATION FEMALE SWEAT



PHONE NUMBER
1-800-355-6637
 FAX NUMBER
1-800-462-6991
 SCALE 2.5 : 1 DATE 8-02-11
 SHEET
1 OF 1
 DRAWN BY
ASHLEY KRALOVEC

PART NO.	T75125	T75150	T75151	
FIP X OD	1-1/4" - 1-1/4"	1-1/2" - 1-1/2"	1-1/2" - 1-1/4"	