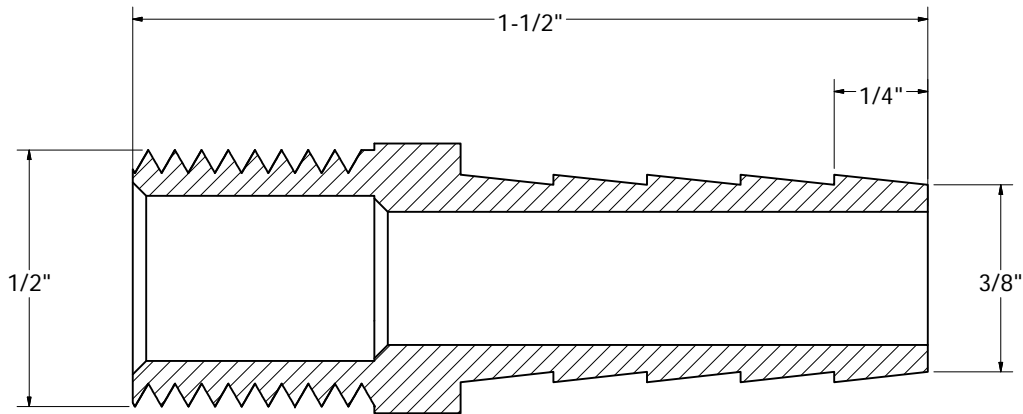
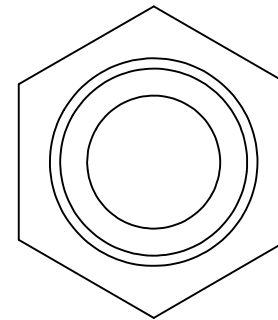
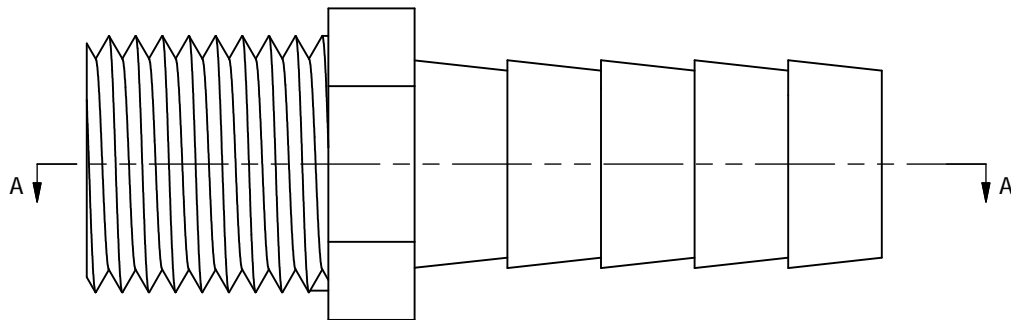
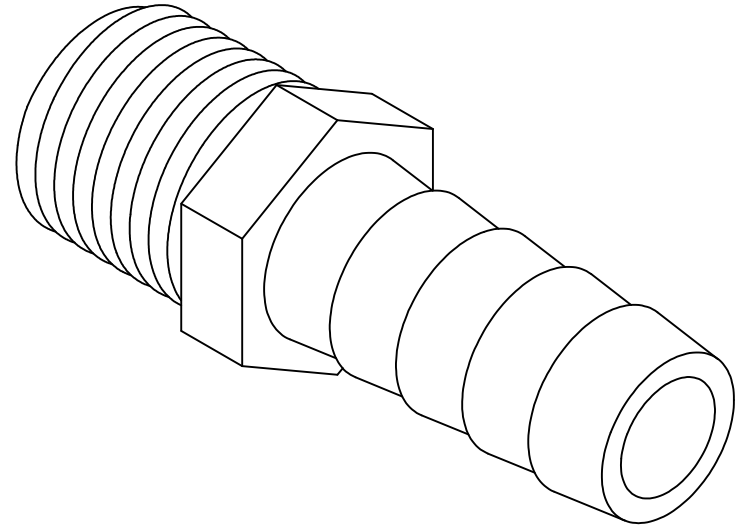


HOSE BRAB TO MALE PIPE PLUMBEST BRASS HOSE BARBS



SECTION A-A
SCALE 5



PHONE NUMBER
1-800-355-6637
FAX NUMBER
1-800-462-6991
SCALE 5 : 1 DATE 5-03-12
SHEET 1 OF 1
DRAWN BY
ASHLEY KRALOVEC

PART NO.	G25062	G25064	G25066	G25068	G25612
PEX X MEAL	3/8" X 1/8"	3/8" X 1/4"	3/8" X 3/8"	3/8" X 1/2"	3/8" X 3/4"
CTN QTY	10	10	10	10	10