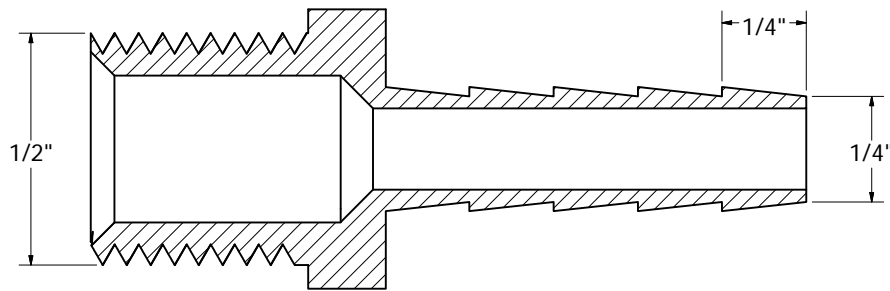
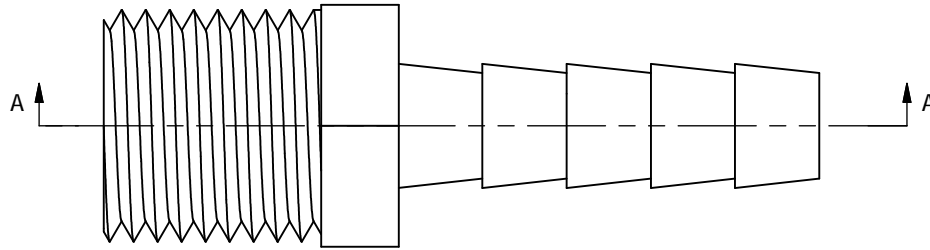
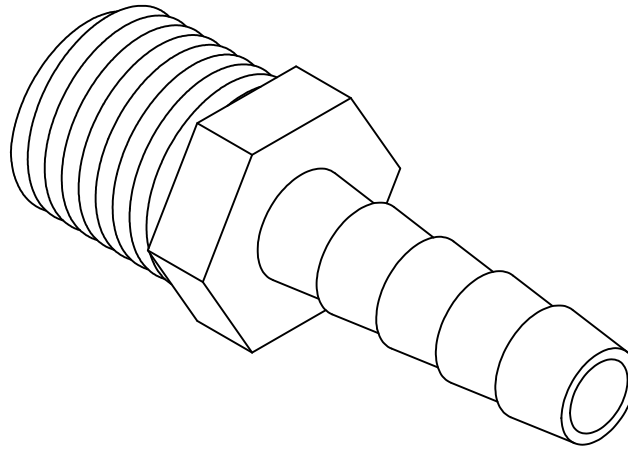


HOSE BRAB TO MALE PIPE PLUMBEST BRASS HOSE BARBS



SECTION A-A
SCALE 4.5



| | | | | | | |
|---------------------------------------|-----------------|------------|-------------|-------------|-------------|-------------|
| PHONE NUMBER 1-800-355-6637 | PART NO. | G25042 | G25044 | G25046 | G25048 | |
| FAX NUMBER 1-800-462-6991 | | | | | | |
| SCALE 4.5 : 1 | DATE 5-03-12 | PEX X MEAL | 1/4" X 1/8" | 1/4" X 1/4" | 1/4" X 3/8" | 1/4" X 1/2" |
| SHEET 1 OF 1 | | CTN QTY | 10 | 10 | 10 | 10 |
| DRAWN BY ASHLEY KRALOVEC | | | | | | |