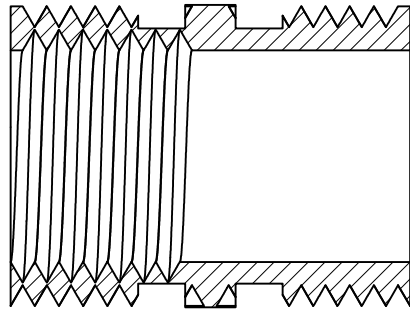
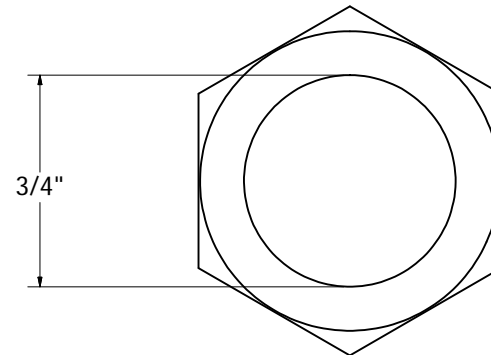
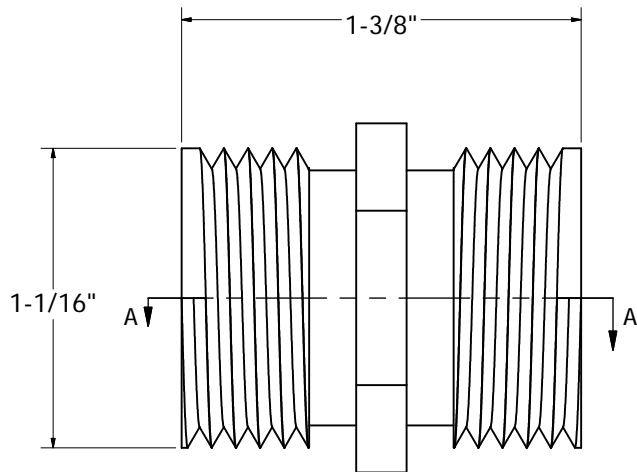
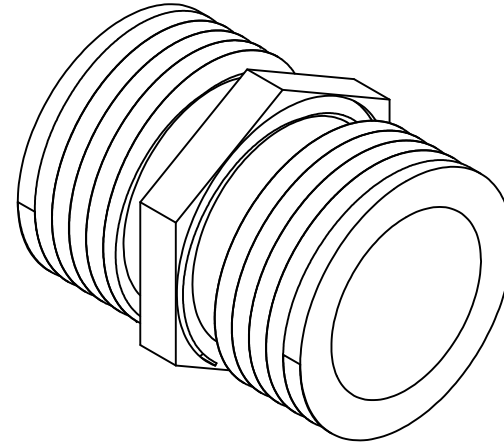


MALE HOSE TO MALE PIPE



SECTION A-A
SCALE 3



PHONE NUMBER
1-800-355-6637
FAX NUMBER
1-800-462-6991
SCALE 3 : 1 DATE 6-28-2013
SHEET
1 OF 1
DRAWN BY
ASHLEY KRALOVEC

PART NO.

G20003

MHT X MPT

3/4" X 3/4" (1/2" FIP TAP)

CTN/MSTR

20/200