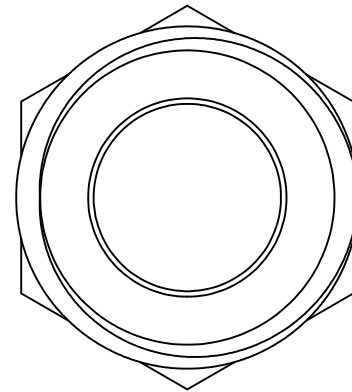
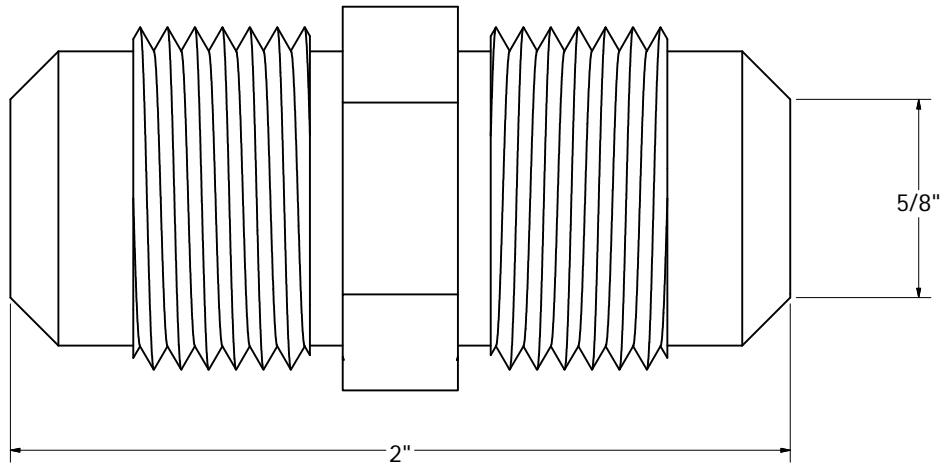
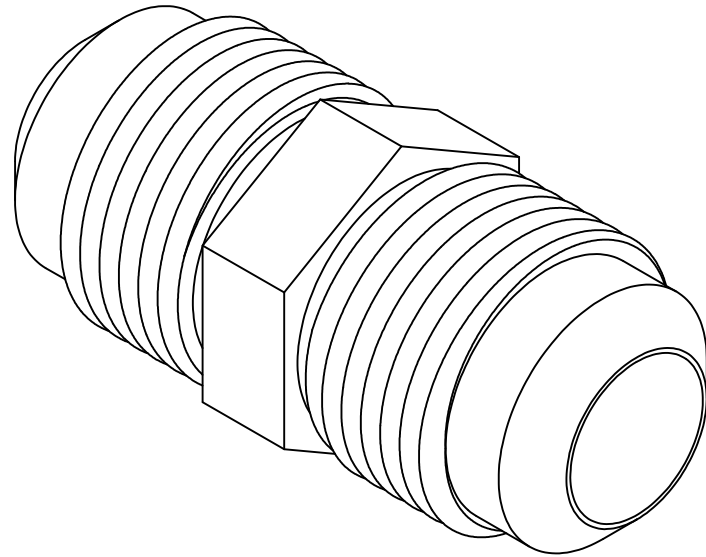


FLARE UNION PLUMBEST 45° FLARE TUBE FITTINGS



PHONE NUMBER 1-800-355-6637 FAX NUMBER 1-800-462-6991 SCALE 4 : 1 SHEET 1 OF 1 DRAWN BY ASHLEY KRALOVEC	DATE 4-27-12	PART NO.	F40123	F40023	F40024	F40025	F40026
		IPT	3/16"	1/4"	5/16"	3/8"	1/2"