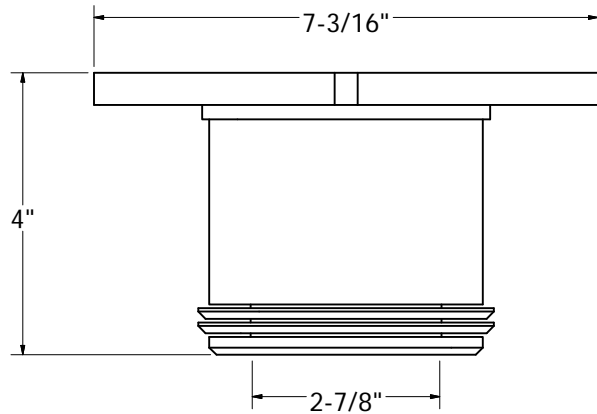
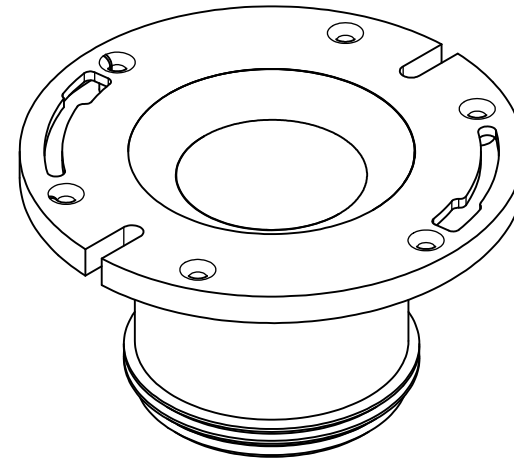
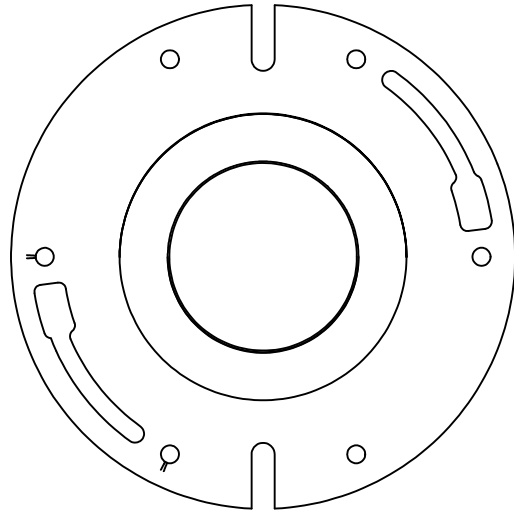


THE EXCLUSIVE TWO FINGER FLANGE



- FLUSH FIT
- REDESIGNED TO FIT OBLONG HORNS
- MADE OF CAST IRON
- PUSHES EASILY INTO CAST IRON OR SCHEDULE 40 DWV PIPE
- NO TEAR OUT OR CAULKING REQUIRED
- ASTM C-56 RUBBER GASKET
- 3" X 2", 4" X 2" AND 4" X 3": FOR AREAS WITH THE BEND CLOSE TO THE FLANGE
- 3" X 4", 4" X 4" AND 4" X 6": FOR AREAS WITHOUT THE BEND CLOSE TO THE FLANGE OR BROKEN PIPE



PHONE NUMBER
1-800-355-6637

FAX NUMBER
1-800-462-6991

SCALE 3/4 : 1 DATE 2-25-11

SHEET
1 OF 1

DRAWN BY
ASHLEY KRALOVEC

PART NO.	C47440
DESCRIPTION	4" X 4"
CTN QTY	4