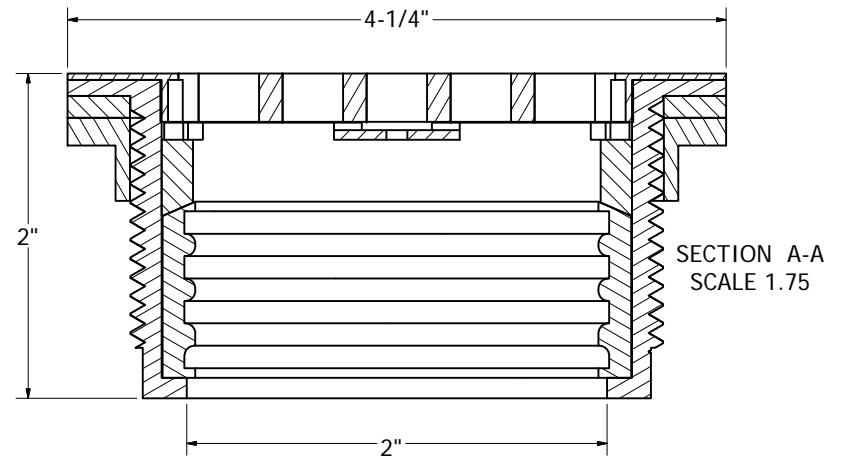
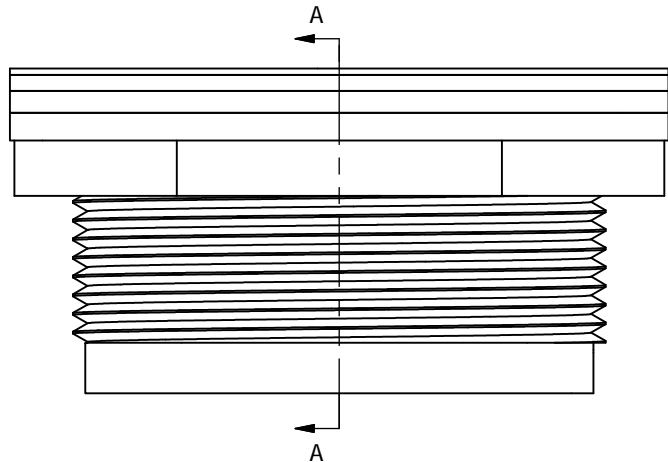
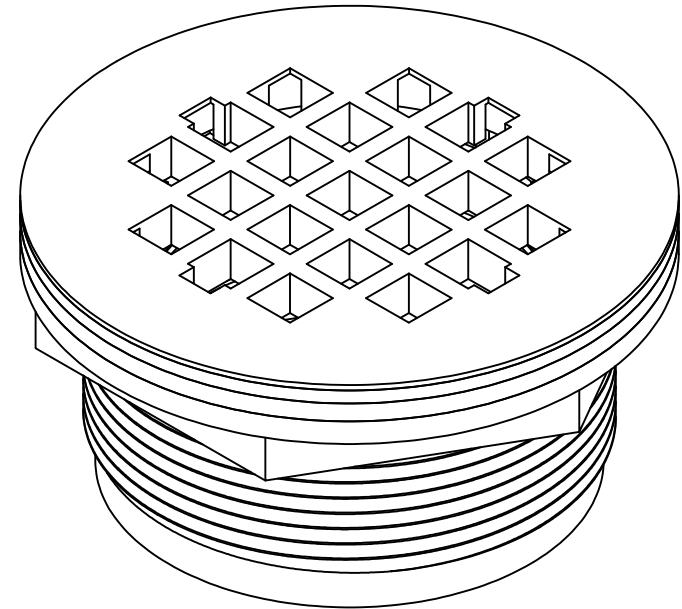
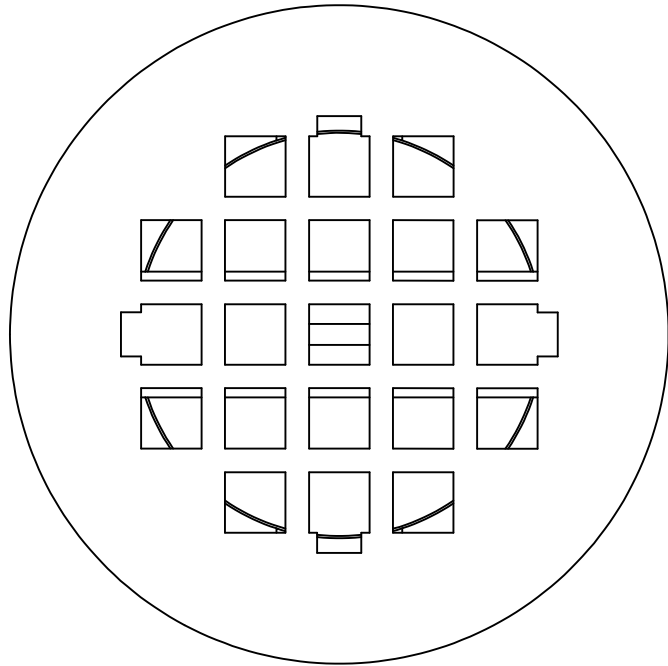


NO CAULK SHOWER STALL DRAINS FITS OVER 2" SCHEDULE 40 DWV PIPE WITH PLASTIC BODY



PHONE NUMBER  
1-800-355-6637  
FAX NUMBER  
1-800-462-6991  
SCALE 1.75 : 1 DATE 9-20-11  
SHEET 1 OF 1  
DRAWN BY  
ASHLEY KRALOVEC

PART NO.	D40101	D40151	D40201	D40401
DESCRIPTION	SS STRAINER (101PNC)	WHITE PLASTIC STRAINER	PB STRAINER	WHITE EPOXY COATED SS STR.