

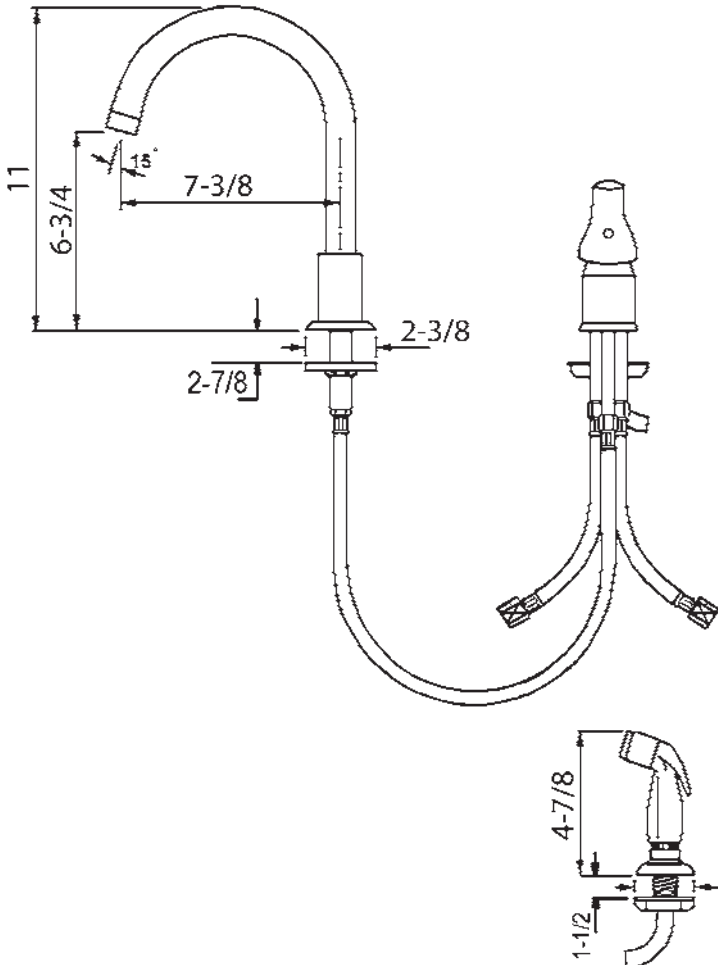


FAUCET GROUP

J-990-LS / WF

DECKMOUNT SINK FAUCET

SUBMITTAL DATA



**TECHNICAL DATA
CONSTRUCTION:**

- Single lever top mounted kitchen sink faucet
- Stainless steel flex connectors
- Gooseneck spout
- Metal lever handle
- Stainless steel ball operation
- 1/2" IPS connections
- Equipped with water saving aerator
- Spray use - optional

FINISH
Chrome

FLOW RATE
2.0 GPM max.

- VARIANTS**
- J-990-LS - Less spray and hose
 - J-990-WF- with spray and hose

COMPLIANCE

- ADA
- UPC
- IPC
- NSF/ANSI 61 - 2010a
- NSF/ANSI 61 - ANNEX G
- ASME A112.18.1-2005/CSA B125.1-2005



Job Name _____
 Customer _____
 Architect/Engineer _____

APPROVED FOR MANUFACTURING

MODEL NO. _____ QTY. _____
 COMPANY _____
 TITLE _____ DATE _____
 SIGNATURE _____

JUST MFG. COMPANY CONTINUES TO MAKE QUALITY AND FUNCTIONALITY A MARK OF THE JUST PRODUCT LINE. TO DO SO REQUIRES THAT WE RESERVE THE RIGHT TO CHANGE PRODUCT INFORMATION WITHOUT NOTICE. DIMENSIONS MAY VARY AND ARE SUBJECT TO CHANGE WITHOUT NOTICE. NO RESPONSIBILITY IS ASSUMED FOR USE OF SUPERCEDED OR VOIDED DATA. FOR THE MOST CURRENT AND ACCURATE INFORMATION REGARDING THE COMPLETE LINE OF JUST SINKS, FAUCETS AND DRAINS, CLICK ON THE **SPEC LINE DRAWINGS** LINK ON OUR WEB SITE AT www.justmfg.com

JUST MANUFACTURING COMPANY

9233 KING STREET . FRANKLIN PARK . ILLINOIS . 60131-2111

PH: 847-678-5150 . FAX: 847-678-6817

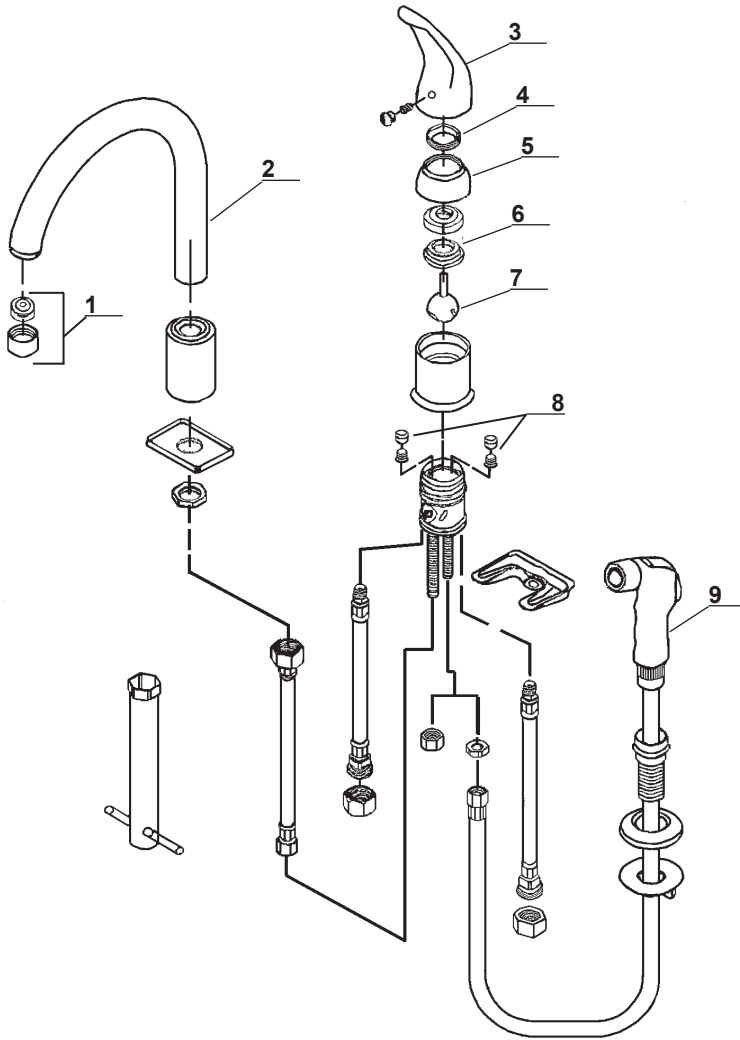
E-MAIL: custserv@justmfg.com . www.justmfg.com

REVISED-2013



FAUCET GROUP

DECKMOUNT SINK FAUCET



Item No.	Part No.	Description
1	J-8821	Aerator
2	882133	Spout
3	441934	Lever handle
4	882008	Adjusting ring
5	882009	Cap
6	882078	Cam and packing
7	882011	Stainless steel ball
8	882004	Springs and seats
9		Spray and hose (WF model Only)

JUST MFG. COMPANY CONTINUES TO MAKE QUALITY AND FUNCTIONALITY A MARK OF THE JUST PRODUCT LINE. TO DO SO REQUIRES THAT WE RESERVE THE RIGHT TO CHANGE PRODUCT INFORMATION WITHOUT NOTICE. DIMENSIONS MAY VARY AND ARE SUBJECT TO CHANGE WITHOUT NOTICE. NO RESPONSIBILITY IS ASSUMED FOR USE OF SUPERCEDED OR VOIDED DATA. FOR THE MOST CURRENT AND ACCURATE INFORMATION REGARDING THE COMPLETE LINE OF JUST SINKS, FAUCETS AND DRAINS, CLICK ON THE **SPEC LINE DRAWINGS** LINK ON OUR WEB SITE AT www.justmfg.com

J990LSWF-2

JUST MANUFACTURING COMPANY
 9233 KING STREET . FRANKLIN PARK . ILLINOIS . 60131-2111
 PH: 847-678-5150 . FAX: 847-678-6817
 E-MAIL: custserv@justmfg.com .
www.justmfg.com