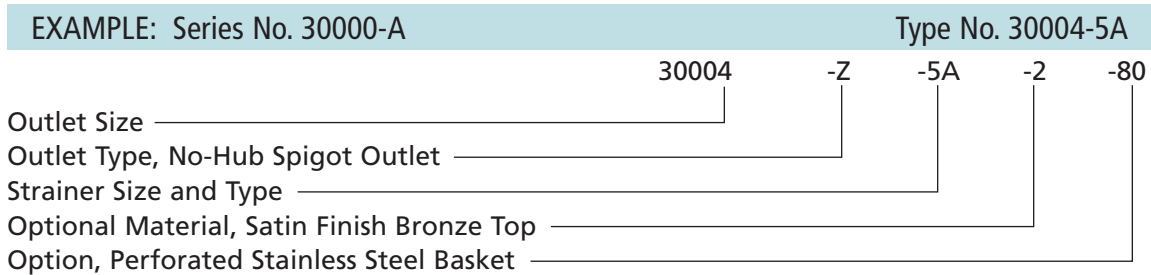


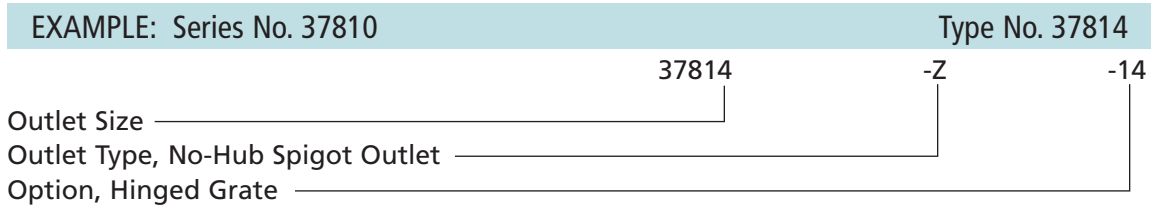
FLOOR DRAINS

How To Order Floor Drain/Strainer Combinations

Unless optional materials are specified, standard material shown in Specification will be provided. Last digit indicates outlet size. All adjustable strainers and accessories can be used with the 30000, 30000-PD, 30000-TSO, 30002-ST, 30304-Z and 30500 Series Drain Bodies.




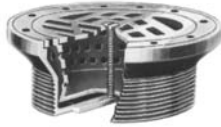










How To Order Floor Drains



FLOOR DRAINS • Pictorial Selection Guide

FLOOR DRAINS

STRAINERS					
<p>A SERIES SUPER-FLO® Strainer</p>  <p>Page 110</p>	<p>AD SERIES Flashing Clamp Strainer</p>  <p>Page 110</p>	<p>AF SERIES Vinyl Tile Strainer</p>  <p>Page 110</p>	<p>C SERIES NON-CLOG Strainer with Integral Bucket</p>  <p>Page 111</p>	<p>D SERIES Dome Strainer</p>  <p>Page 111</p>	<p>E SERIES Tractor Strainer</p>  <p>Page 111</p>

STRAINERS					
<p>E1 SERIES Extended Rim Strainer</p>  <p>Page 112</p>	<p>E2 SERIES Indirect Waste Strainer</p>  <p>Page 112</p>	<p>E3 SERIES Indirect Waste Strainer</p>  <p>Page 112</p>	<p>F SERIES Threaded Cover Strainer, Secondary Grate</p>  <p>Page 113</p>	<p>F4/F6 SERIES Round Funnel Assemblies</p>  <p>Page 113</p>	<p>F8/F9 SERIES Oval Funnel Assemblies</p>  <p>Page 113</p>

A SERIES ROUND NIKALOY SUPER-FLO® STRAINER

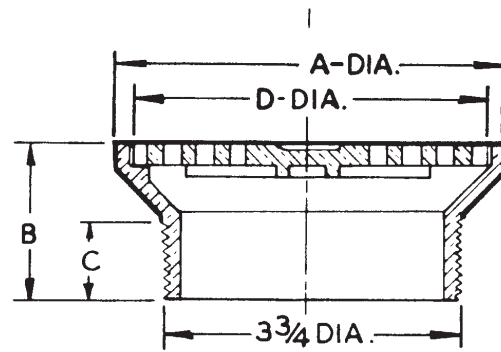
APPLICATION

For use in finished areas with pedestrian traffic such as toilet and shower rooms.

Available Options

- SS Stainless Steel, 5A, 6A, 7A, 8A
- 2 Satin Finish Bronze
- 80 Perforated Stainless Steel Basket
- CP Chrome Plated, 5A, 6A
- J Backwater Valve
- VP Secured Grate, Vandal-Proof Screws

TYPE NO.	A	B	C	D	FREE AREA	LBS.
5A	5	1-15/16	1-1/8	4-5/8	7.8	2
6A	6	2-1/4	15/16	5-1/4	11.0	3
7A	7	2-11/16	1-1/2	6-7/16	13.2	4
8A	8	2-1/2	7/8	7-1/8	16.2	5
9A•	9	2-1/4	1	8-1/8	21.1	7
10A•	10	2-1/4	1-1/8	9	28.0	9



•Not SUPER-FLO® Design

AD SERIES ROUND NIKALOY STRAINER with Clamp Device

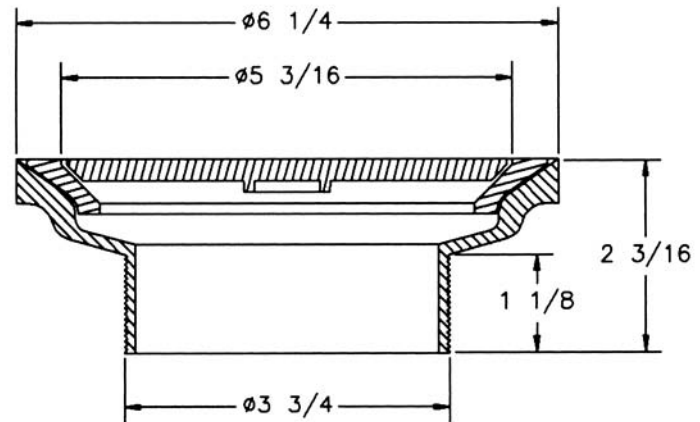
APPLICATION

For use in finished areas with pedestrian traffic such as supermarkets or kitchens.

Available Options

- 2 Satin Bronze Top
- VP Secured Grate, Vandal-Proof Screws

TYPE NO.	FREE AREA	LBS.
6AD	10.4	4



AF SERIES ROUND NIKALOY STRAINER with Tile Flange

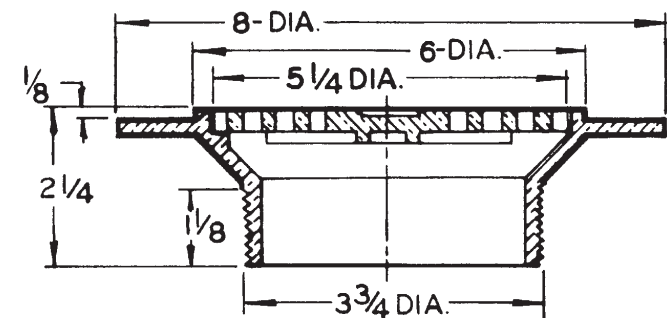
APPLICATION

For use in areas where a vinyl tile, liquid or trowel applied floor covering is to be adhered to the strainer flange and pedestrian traffic is expected.

Available Options

- 2 Satin Finish Bronze
- 80 Perforated Stainless Steel Basket
- J Backwater Valve
- VP Secured Grate, Vandal-Proof Screws

TYPE NO.	FREE AREA	LBS.
6AF	10.4	5



FLOOR DRAINS