

FIXTURE CARRIERS

How To Order Lavatory Carriers

To order specify Series Number and use suffix numbers to indicate desired options.

EXAMPLE: Concealed Arm Carrier

Series No. 17100

17100 -10 -75

Series No. _____
 Option, Extension Sleeves Longer than Standard _____
 Option, 2" Chrome-Plated Escutcheons, 2 Per Fixture _____

EXAMPLE: Exposed Arm Carrier

Series No. 17380

17380 -VP -10

Series No. _____
 Option, Vandal-Proof Trim _____
 Option, Hardware for Thicker Walls _____

Types of Carriers • Ordering Information

LAVATORY CARRIERS	For supporting lavatories with or without arms.	1. Quantity. 2. JOSAM series number. 3. Fixture manufacturer, model number, name of fixture and size.
SINK CARRIERS	For supporting sinks or slab shelves.	1. Quantity. 2. JOSAM series number. 3. Fixture manufacturer, model number, name of fixture and size.
URINAL CARRIERS	For supporting off-the-floor urinals.	1. Quantity. 2. JOSAM series number. 3. Fixture manufacturer and model number.
WATER COOLER CARRIERS	For supporting off-the-floor water coolers.	1. Quantity. 2. JOSAM series number. 3. Fixture manufacturer and model number.
HOSPITAL FIXTURE CARRIERS	For supporting hospital sinks or lavatories with knee action valves.	1. Quantity. 2. JOSAM series number. 3. Fixture manufacturer, model number, name of fixture and size. 4. Knee action valve, if used, give manufacturer and model number.
PLATE TYPE CARRIERS	Multipurpose carriers for supporting Lavatory, Sink, Urinal, Water Cooler and Hospital Fixtures.	1. Quantity. 2. JOSAM series number. 3. Fixture manufacturer, model number, name of fixture and size.

CARRIERS

FLOOR-MOUNTED



Page 46



Page 46



Page 48



Page 49



Page 49



Page 49

FLOOR-MOUNTED • Hanger Plate Type



Page 52



Page 52



Page 53



Page 53



Page 53



Page 53

FLOOR-MOUNTED • Hanger & Bearing Plate Type



Page 54



Page 54





Page 55





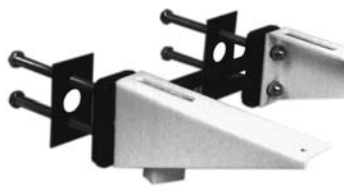

Page 55







Page 55

FLOOR-MOUNTED • Heavy-Duty Sink Carriers				ALIGNMENT TOOL
<p>17720 Hanger Plate, Exposed Acid-Resisting Arms</p>  <p>Page 58</p>	<p>17720-66 Hanger Plate</p>  <p>Page 58</p>	<p>17730 Support Plates Adjustable Coupling</p>  <p>Page 59</p>	<p>17735 Support Plates, Adjustable Coupling & Fitting</p>  <p>Page 59</p>	<p>17000 Reusable Alignment Tool</p>  <p>Page 45</p>

WALL-MOUNTED • Concealed Arms				
<p>17120</p>  <p>Page 46</p>	<p>17120-10 Extension Sleeves Longer than Std.</p>  <p>Page 47</p>	<p>17120-BP Back Plate</p>  <p>Page 47</p>	<p>17120-MMB Movable Mounting Brackets</p>  <p>Page 47</p>	<p>17125</p>  <p>Page 48</p>

WALL-MOUNTED • Exposed Arms		
<p>17390</p>  <p>Page 50</p>	<p>17390-BP Back Plates</p>  <p>Page 50</p>	<p>17405</p>  <p>Page 51</p>

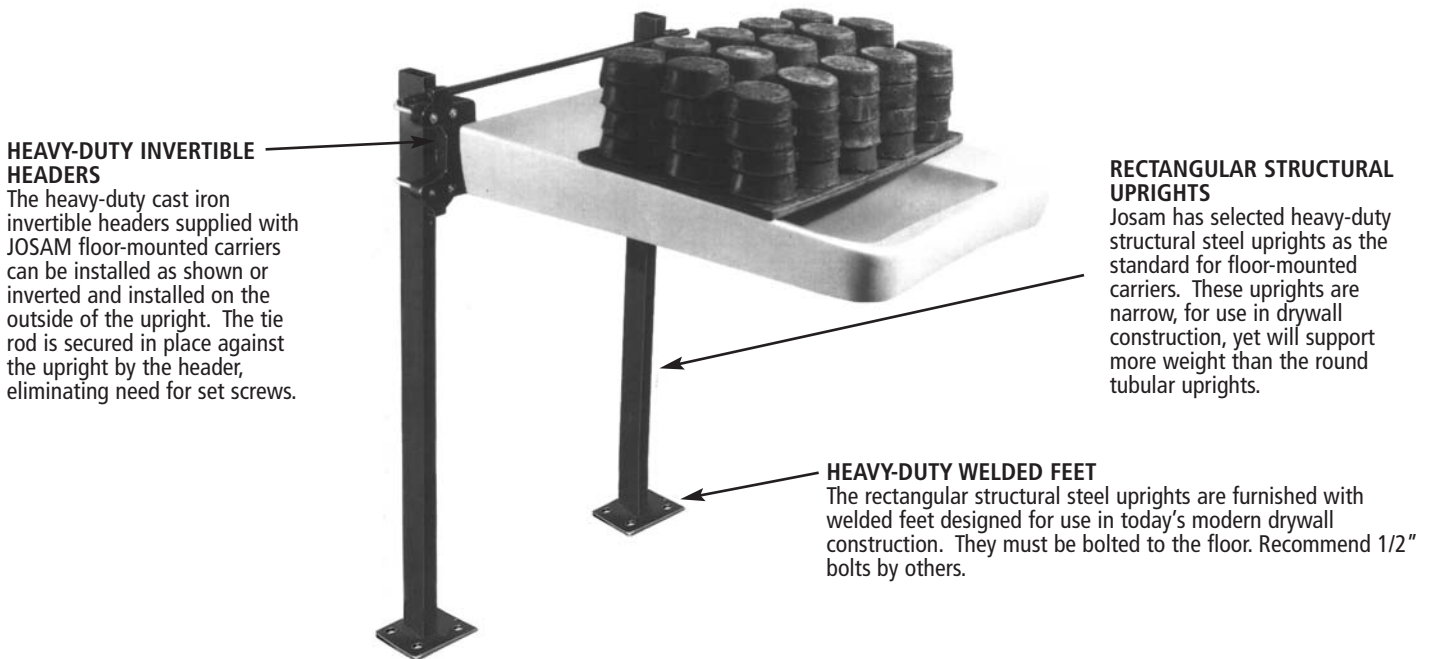
WALL-MOUNTED • Hanger Plate Type			
<p>17590</p>  <p>Page 56</p>	<p>17590-DP Double Plate</p>  <p>Page 56</p>	<p>17590-UR Urinal Carrier</p>  <p>Page 57</p>	<p>17590-UR-DP Urinal Carrier with Double Plates</p>  <p>Page 57</p>

FIXTURE CARRIERS

Concealed Arms UNITRON® II Features

CARRIERS

JOSAM concealed arm Lavatory Carriers secure and support lavatories by means of cast iron arms with leveling and securing devices. By virtue of their design, they accommodate all types of lavatories punched for concealed arms. The cast iron arms are furnished as standard in three different lengths. The leveling and securing methods are the same for each arm length. After the carrier is installed and the walls completed, the sleeve and arm assembly is adjusted and installation of the lavatory is made by sliding it over the arms, leveling it through the access holes provided and then securely locking it in place with the LAVALOC® Securing Device.



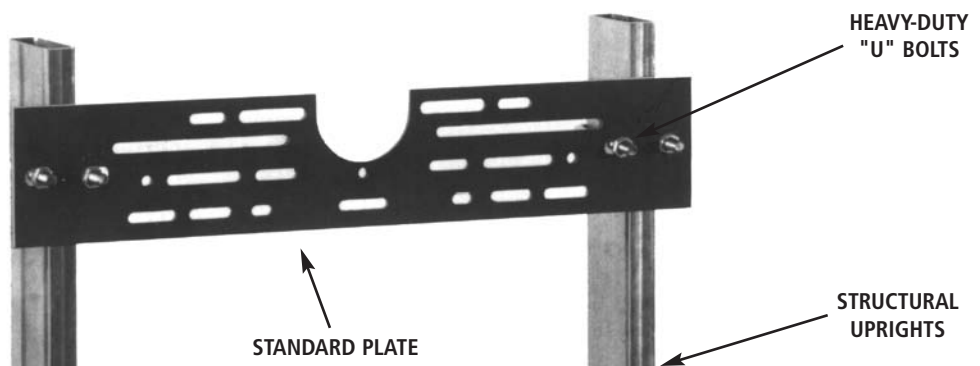
17100 SERIES CONCEALED ARM LAVATORY CARRIER SHOWN SUPPORTING A 300 POUND LOAD ON A WHEELCHAIR LAVATORY

Today's thin-wall construction demands that the carrier support the fixture completely independent of the wall construction, whether it is a lavatory, sink, urinal or water cooler. Due to the rectangular structural shape of the uprights and the welded feet, deflection is kept to a minimum, protecting the fixtures as well as the finished wall surface, thus eliminating the need for any alternate steadying methods. It is recommended, with all JOSAM carriers, that the feet be securely bolted to the floor for proper support. Rectangular structural uprights with welded feet are furnished with all floor-mounted JOSAM concealed, exposed arm or plate type carriers as standard, therefore there is no additional charge for this feature.

Standard Plate Features

JOSAM, after testing and studying many alternates for plate type carriers, has designed and developed a standard hanger support and bearing plate, that can accommodate more than 300 various fixtures.

A complete, easy to use "Standard Plate Application Manual" is included with every carrier. This manual gives the various plate dimensions required for a complete installation.

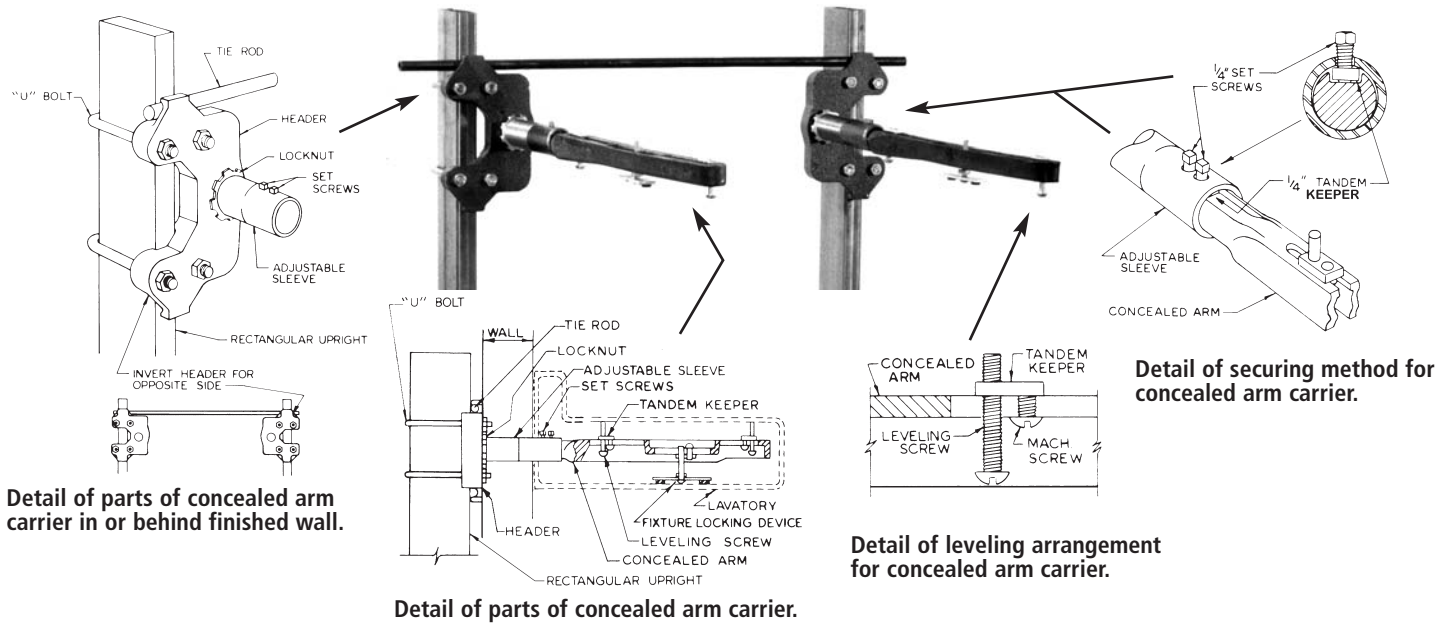


FIXTURE CARRIERS

Concealed Arms Features

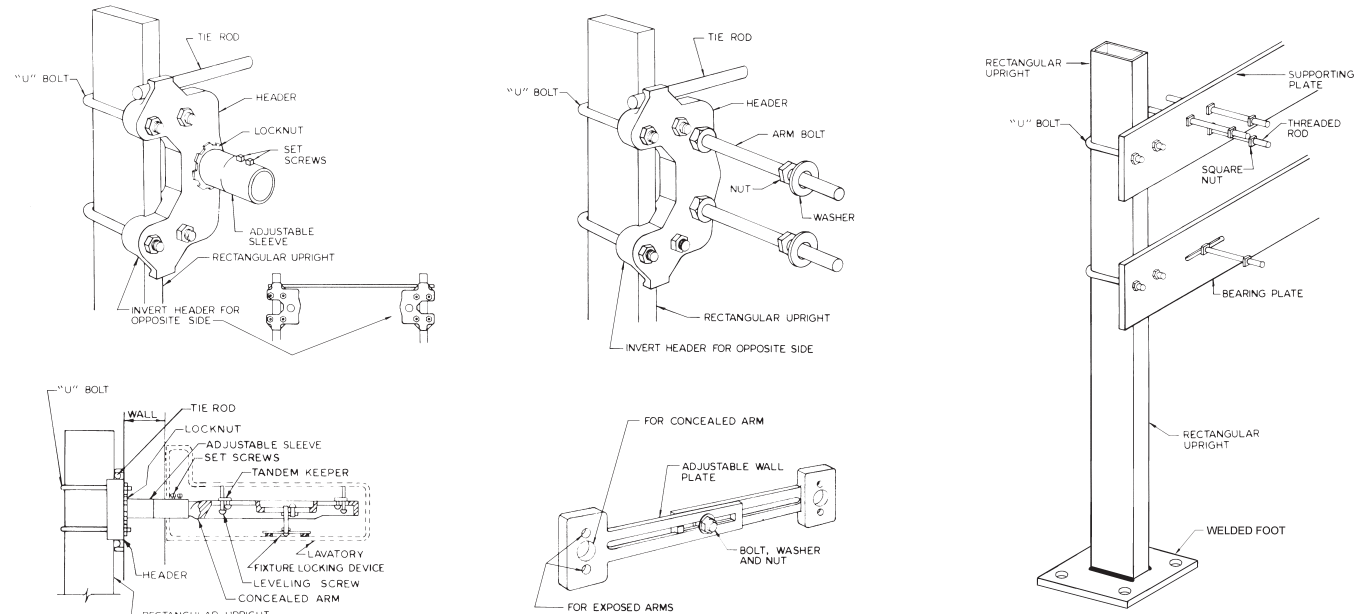
CONCEALED TYPE LAVATORY CARRIER

1. Tandem keepers in slots on the arm permit positioning of leveling screws on the job to suit punchings of any lavatory specified.
2. Screws in keepers can then easily be moved up or down to level the lavatory.
3. The securing lock device is positioned on the arm and tightens against the fixture to hold it rigidly in place.
4. The sleeve can be adjusted to suit various wall thicknesses.
5. The final setting of the arm out from the wall can be made from the face of the finished wall after the wall is built.
6. The set screws are easily accessible for quicker adjustment.
7. Arm with the locking device, tandem keepers, and adjustable sleeve, is completely assembled at the factory.
8. Hardware is plated to prevent corrosion.



Parts & Details Lavatory, Sink & Urinal Carriers

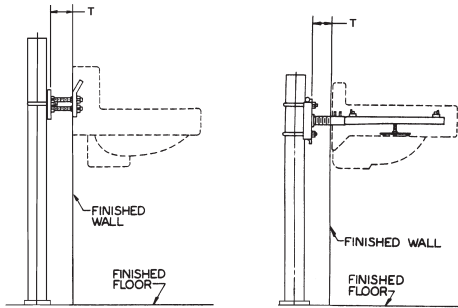
The drawings on this page show the relationship between mating parts of carriers covered in this section.



FIXTURE CARRIERS

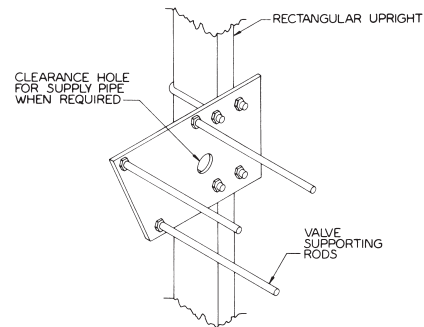
Options

The options shown below illustrate and explain various optional carrier components. These options must be specified and installed when the type of construction or fixture dictates their use. See specific series for available options.



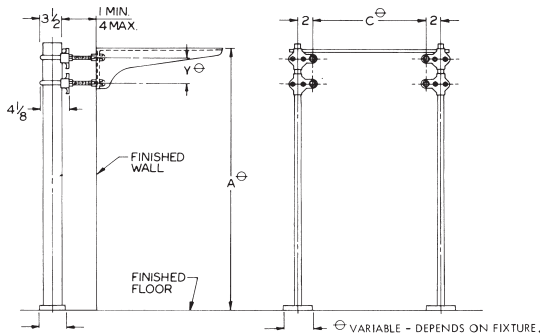
(-10) OPTION, EXTENSION FOR THICK WALLS

This option provides the extension hardware required for mounting fixtures when the wall thickness (T Dim.) is greater than the maximum thickness shown on drawing. Specify T Dim. when ordering this option.



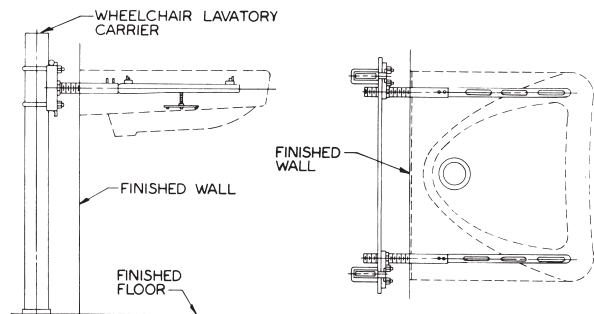
(-60) OPTION, VALVE PLATE ON UPRIGHT

allows carriers with uprights to be converted to support both hospital lavatories and knee or foot operated valves supplying these lavatories. Valve plate is securely fastened to upright and is supplied with hardware and chrome-plated trim for mounting valve.



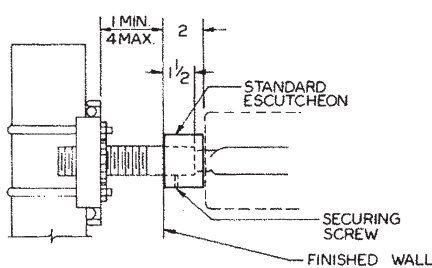
(-66) OPTION, SPLIT HEADER FOR STAINLESS STEEL ARMS

In many cases arms are supplied by the manufacturers of stainless steel fixtures. The mounting hole spacing in the back of the arm (Y Dim.) varies widely by sink and manufacturer. The -66 split header is adjustable to allow for the mounting of this type of sink and arm combination.



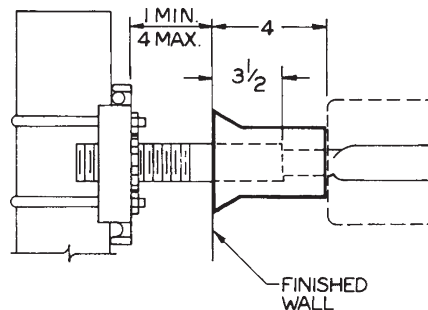
(-67) OPTION, CONCEALED ARM WHEELCHAIR LAVATORY

Most major fixture manufacturers offer an elongated lavatory especially designed for the wheelchair user. This lavatory requires a special type carrier which roughs the lavatory higher than normal and also will support the long extension of china.



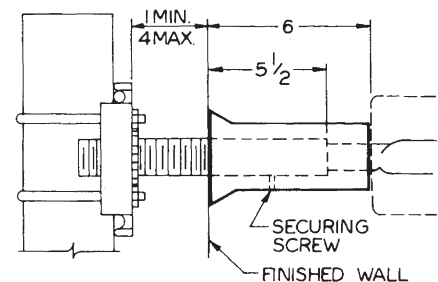
(-75) OPTION, 2" ESCUTCHEONS

provide manufacturers' specified distance of 2" from finished wall to back of a slab type lavatory to prevent water from deteriorating finished wall when concealed arms are used. Furnished in polished chrome.



(-76) OPTION, 4" ESCUTCHEONS

permit a 4" dimension between finished wall and fixture when specification or design requires. Used on concealed arms to prevent water from deteriorating finished wall. Furnished in polished chrome.



(-77) OPTION, 6" ESCUTCHEONS

designed for slab type lavatories for wheelchair patients when concealed arms are used, to prevent water from deteriorating finished wall and provide space needed to accommodate a wheelchair. Furnished in polished chrome.

FIXTURE CARRIERS

Replacement Assembly Numbers For Concealed Arms

Description	No. Required	Part No.	Description	No. Required	Part No.
ARM ASSEMBLIES			ESCUTCHEONS		
17100-201 Arm Assembly 16.75"	2 Per Fixture	566270	Escutcheon Pack 2" Option -75	1 Pack Per Fixture	566226
17100-202 Arm Assembly 19.5"	2 Per Fixture	566290T	Escutcheon Pack 4" Option -76	1 Pack Per Fixture	566222
17100-203 Arm Assembly 22"	2 Per Fixture	566310T			
SLEEVE ASSEMBLIES			MISCELLANEOUS PARTS		
17100 Sleeve Assembly 4"	2 Per Fixture	566460T	17100 Fixture Locking Device	1 Per Arm	566262
17100 Sleeve Assembly 6.5"	2 Per Fixture	566340T	17100 Leveling Device Assembly	2 Per Arm	566263
17100 Sleeve Assembly 8.5"	2 Per Fixture	566510	17100-201 Hardware Pack	1 Per Fixture	566232T
17100 Sleeve Assembly 10.5"	2 Per Fixture	566350T			

CARRIERS

REUSABLE ALIGNMENT TOOL

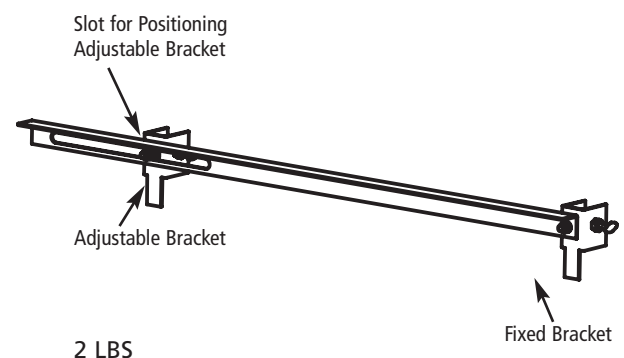
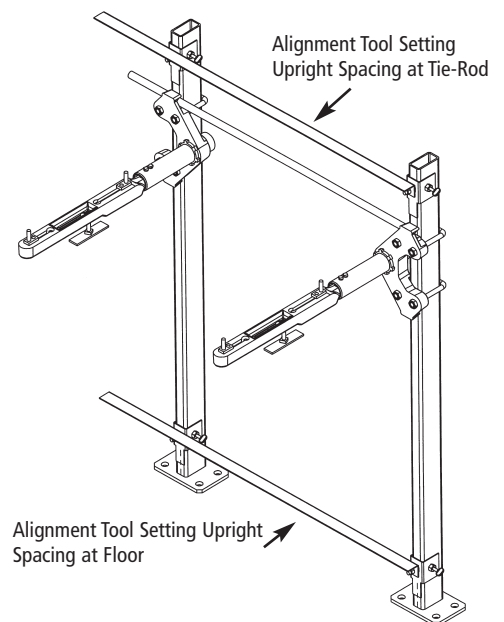
SERIES 17000

Features

- Used with Josam Floor-Mounted Fixture Carriers with uprights; concealed and exposed arm type, plate-type.
- Reusable bracket is less expensive than other one-piece pre-fab carriers.
- No obstruction for vertical water supply and waste piping.
- Movable uprights allow adjustment to meet all job-site conditions
- Carriers remain in standard packaging; no over-sized boxes required.

Instructions

1. Determine Upright Centers;
For Concealed and Exposed Arm Carriers, Add 4" to the arm center.
Consult carrier rough-in chart for upright centers on plate-type carriers
2. Set adjustable bracket to appropriate locating position.
3. Attach 17000 Alignment Tool at the bottom of both uprights.
4. Secure uprights to floor with 1/2" bolts (by others).
5. Remove reusable alignment tool and attach to the top of the uprights and set tie-rod or plate position.



17100 SERIES

FLOOR-MOUNT, Concealed Arms

APPLICATION

For use with lavatories punched for concealed arms where thin wall construction demands uprights that support the fixture completely independent of the wall.

SPECIFICATION

JOSAM 17100 Series floor-mounted single Lavatory Carrier with concealed arms, leveling and securing screws, structural uprights and welded feet.

Available Options

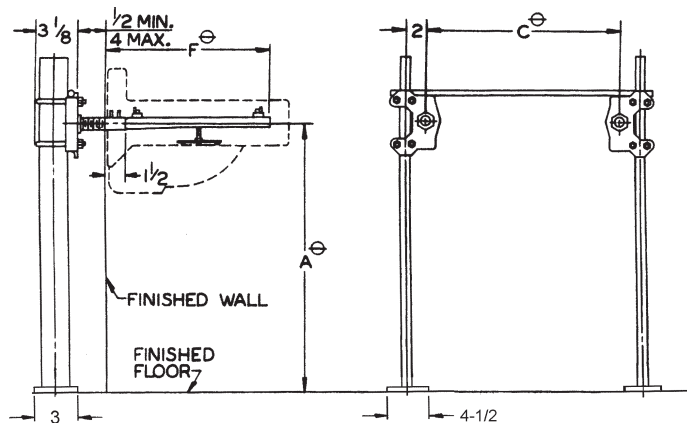
- ▼ -BB Back-to-Back Carrier
- ▼ -10 Extension Sleeves Longer Than Standard, Specify Wall Thickness
- ▼ -60 Valve Plate for Attaching to Upright
- ▼ -67 Concealed Arm Carrier for Wheelchair Lavatory
- ▼ -75 2" Chrome-Plated Escutcheons
- ▼ -76 4" Chrome-Plated Escutcheons
- ▼ -77 6" Chrome-Plated Escutcheons

STD. ADJUSTABLE SLEEVE 6-1/2"

⊖ VARIABLE - DEPENDS ON FIXTURE.

RECOMMEND ALL FEET BE SECURED TO FLOOR WITH 1/2" BOLTS AND ANCHORS BY OTHERS.

REUSABLE ALIGNMENT TOOL AVAILABLE. SEE PAGE 45.



43 LBS

17100-BB SERIES

FLOOR-MOUNT, -BB Back-to-Back

APPLICATION

For use with back-to-back lavatories punched for concealed arms where thin wall construction demands uprights that support the fixture completely independent of the wall.

SPECIFICATION

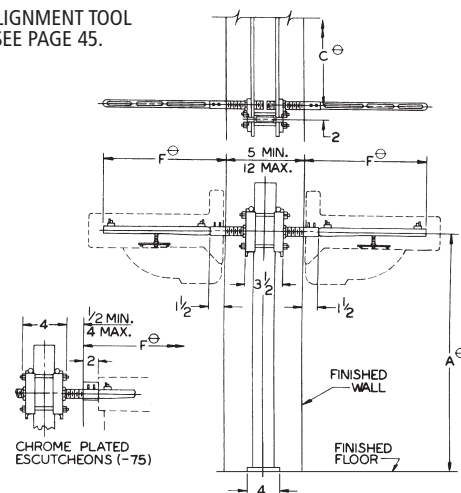
JOSAM 17100-BB Series floor-mounted, back-to-back Lavatory Carrier with concealed arms, leveling and securing screws, structural uprights and welded feet.

STD. ADJUSTABLE SLEEVE 6-1/2"

⊖ VARIABLE - DEPENDS ON FIXTURE.

RECOMMEND ALL FEET BE SECURED TO FLOOR WITH 1/2" BOLTS AND ANCHORS BY OTHERS.

REUSABLE ALIGNMENT TOOL AVAILABLE. SEE PAGE 45.



51 LBS

17120 SERIES

WALL-MOUNT, Concealed Arms

APPLICATION

For use with lavatories punched for concealed arms where wall construction will support the fixture and carrier assembly.

SPECIFICATION

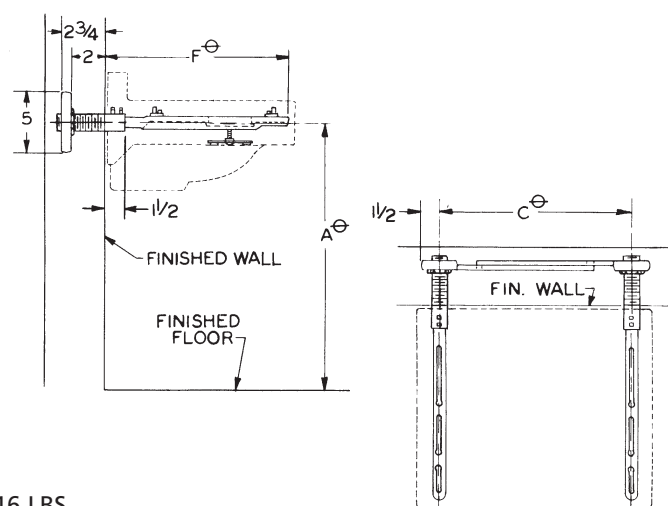
JOSAM 17120 Series wall-mounted, single Lavatory Carrier with concealed arms, leveling and securing screws and adjustable wall plate.

Available Options

- ▼ -BP with Back Plates
- ▼ -MMB with Movable Mounting Brackets
- ▼ -10 Extension Sleeves Longer Than Standard, Specify Wall Thickness
- ▼ -75 2" Chrome-Plated Escutcheons
- ▼ -76 4" Chrome-Plated Escutcheons
- ▼ -77 6" Chrome-Plated Escutcheons

STD. ADJUSTABLE SLEEVE 4"

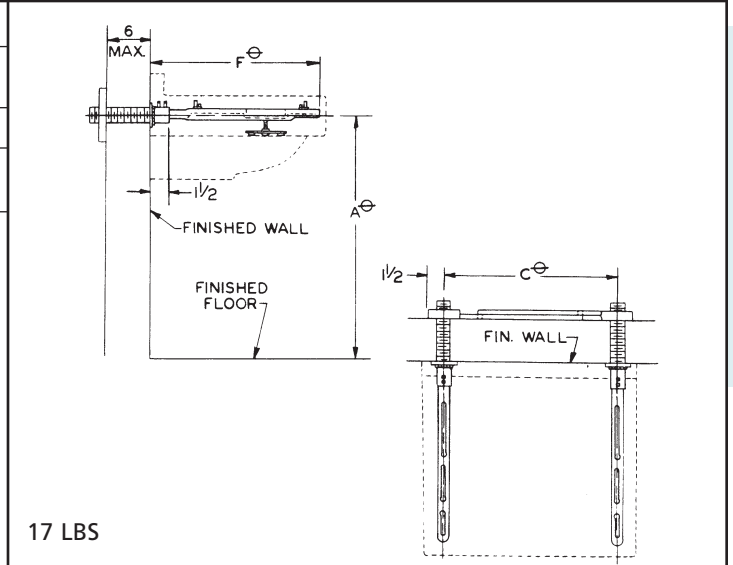
⊖ VARIABLE - DEPENDS ON FIXTURE.



16 LBS

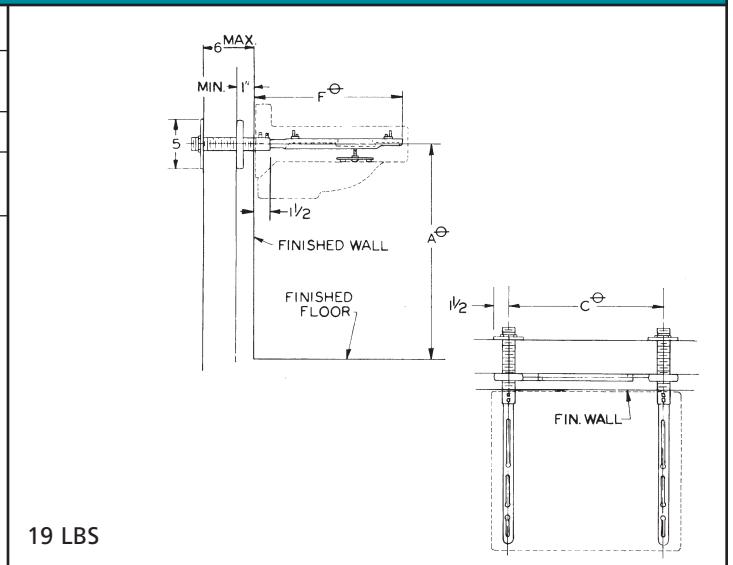
17120-10 SERIES WALL-MOUNT with -10 Extension Sleeves Longer than Std.

APPLICATION
For use with lavatories punched for concealed arms where wall construction will support the fixture and carrier assembly.
SPECIFICATION
JOSAM 17120-10 Series wall-mounted, single Lavatory Carrier with concealed arms, leveling and securing screws and adjustable wall plate.
<p>STD. ADJUSTABLE SLEEVE 8-1/2"</p> <p>⊖ VARIABLE – DEPENDS ON FIXTURE.</p>



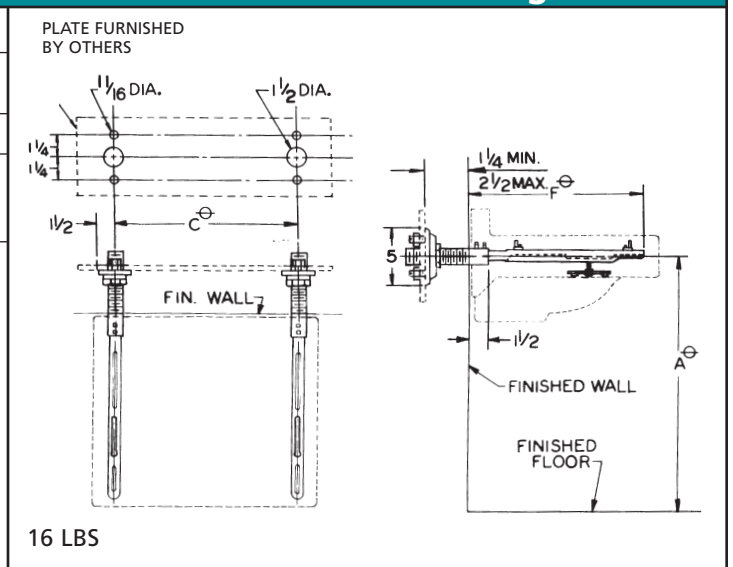
17120-BP SERIES WALL-MOUNT with -BP Back Plate

APPLICATION
For use with lavatories punched for concealed arms where wall construction will support the fixture and carrier assembly.
SPECIFICATION
JOSAM 17120-BP Series wall-mounted, single Lavatory Carrier with concealed arms, leveling and securing screws, adjustable wall plate and back plate.
<p>STD. ADJUSTABLE SLEEVE 8-1/2"</p> <p>⊖ VARIABLE – DEPENDS ON FIXTURE.</p>



17120-MMB SERIES WALL-MOUNT with -MMB Movable Mounting Brackets

APPLICATION
For use with lavatories punched for concealed arms where wall construction will support the fixture and carrier assembly.
SPECIFICATION
JOSAM 17120-MMB Series wall-mounted, single Lavatory Carrier with concealed arms, leveling and securing screws and movable mounting brackets for securing to wall plate by others.
<p>STD. ADJUSTABLE SLEEVE 6-1/2"</p> <p>⊖ VARIABLE – DEPENDS ON FIXTURE.</p>



17125 SERIES

WALL-MOUNT, Concealed Arms

APPLICATION

For use with lavatories punched for concealed arms where wall construction will support the fixture and carrier assembly.

SPECIFICATION

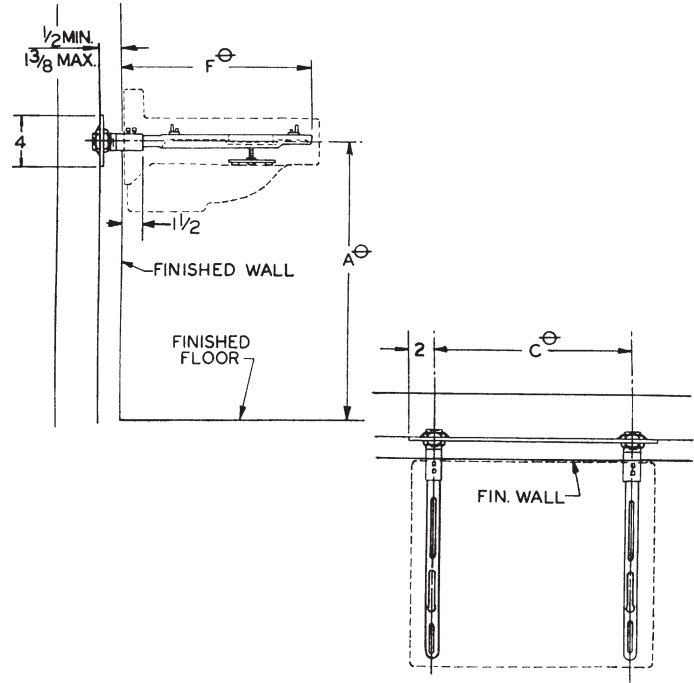
JOSAM 17125 Series wall-mounted, single Lavatory Carrier with concealed arms, leveling and securing screws and steel plate for attaching to studs.

Available Options

- 10 Extension Sleeves Longer Than Standard, Specify Wall Thickness
- 75 2" Chrome-Plated Escutcheons

STD. ADJUSTABLE SLEEVE 4"

⊖ VARIABLE – DEPENDS ON FIXTURE.



12 LBS

17380 SERIES

FLOOR-MOUNT, Exposed Arms

APPLICATION

For use with lavatories designed for heavy-duty exposed arms where thin wall construction demands uprights that support the fixture completely independent of the wall.

SPECIFICATION

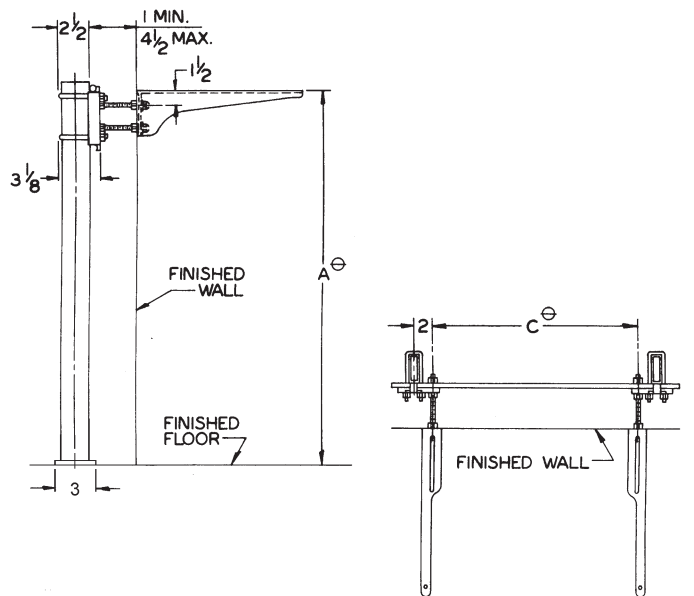
JOSAM 17380 Series floor-mounted, single Lavatory Carrier with exposed acid-resisting white coated arms, leveling and securing screws, structural uprights, welded feet and chrome-plated trim.

Available Options

- ▼ -BB Back-to-Back Carrier
- ▼ -HD Heavy-Duty
- VP Vandal-Proof Trim
- 10 Hardware for Walls Over 4-1/2", Specify Wall Thickness
- 60 Valve Plate for Attaching to Upright
- 66 Split Header for Stainless Steel Arms

REUSABLE ALIGNMENT TOOL AVAILABLE. SEE PAGE 45.

WGT 19 LBS
WGT 19 LBS



49 LBS

⊖ VARIABLE – DEPENDS ON FIXTURE.

RECOMMEND ALL FEET BE SECURED TO FLOOR WITH 1/2" BOLTS AND ANCHORS BY OTHERS.

17380-BB SERIES FLOOR-MOUNT, -BB Back-to-Back

APPLICATION
For use with back-to-back lavatories designed for heavy-duty exposed arms where thin wall construction demands uprights that support the fixture completely independent of the wall.
SPECIFICATION
JOSAM 17380-BB Series floor-mounted, back-to-back Lavatory Carrier with exposed acid-resisting white coated arms, leveling and securing screws, structural uprights, welded feet and chrome-plated trim.
OPTION N/A -66
⊖ VARIABLE – DEPENDS ON FIXTURE. RECOMMEND ALL FEET BE SECURED TO FLOOR WITH 1/2" BOLTS AND ANCHORS BY OTHERS.

REUSABLE ALIGNMENT TOOL AVAILABLE. SEE PAGE 45.

56 LBS

17380-HD SERIES FLOOR-MOUNT, -HD Heavy-Duty

APPLICATION
For use with sinks designed for heavy-duty exposed arms where thin wall construction demands uprights that support the fixture completely independent of the wall.
SPECIFICATION
JOSAM 17380-HD Series floor-mounted, single, heavy-duty Sink Carrier with acid-resisting white coated arms, leveling and securing screws, structural uprights, welded feet and chrome-plated trim.
⊖ VARIABLE – DEPENDS ON FIXTURE. RECOMMEND ALL FEET BE SECURED TO FLOOR WITH 1/2" BOLTS AND ANCHORS BY OTHERS.

REUSABLE ALIGNMENT TOOL AVAILABLE. SEE PAGE 45.

51 LBS

17380-BB-HD SERIES FLOOR-MOUNT, -BB Back-to-Back, -HD Heavy-Duty

APPLICATION
For use with back-to-back sinks designed for heavy-duty exposed arms where thin wall construction demands uprights that support the fixture completely independent of the wall.
SPECIFICATION
JOSAM 17380-BB-HD Series floor-mounted, back-to-back, heavy-duty Sink Carrier with acid-resisting white coated arms, leveling and securing screws, structural uprights, welded feet and chrome-plated trim.
⊖ VARIABLE – DEPENDS ON FIXTURE. RECOMMEND ALL FEET BE SECURED TO FLOOR WITH 1/2" BOLTS AND ANCHORS BY OTHERS.

REUSABLE ALIGNMENT TOOL AVAILABLE. SEE PAGE 45.

49 LBS

17390 SERIES

WALL-MOUNT, Exposed Arms

APPLICATION

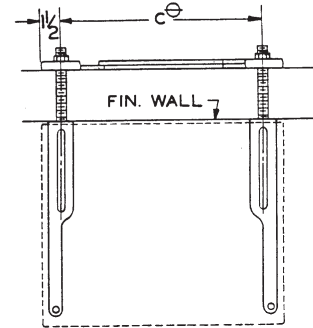
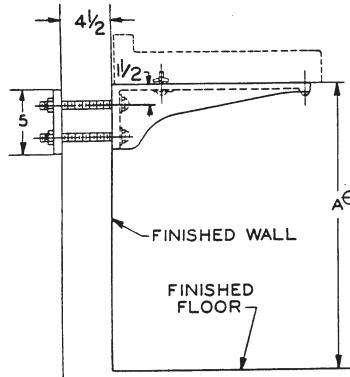
For use with lavatories designed for heavy-duty exposed arms where wall construction will support the fixture and carrier assembly.

SPECIFICATION

JOSAM 17390 Series wall-mounted, single Lavatory Carrier with exposed acid-resisting white coated arms, leveling and securing screws, adjustable wall plate and chrome-plated trim.

Available Options

- ▼ -BP with Back Plates
- VP Vandal-Proof Trim
- 10 Hardware for Walls Over 4-1/2", Specify Wall Thickness



⊖ VARIABLE – DEPENDS ON FIXTURE.

17 LBS

17390-BP SERIES

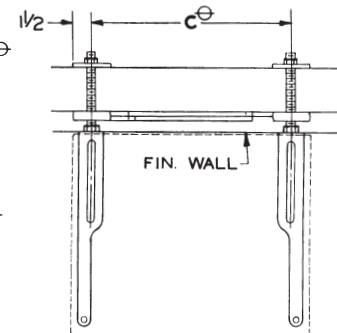
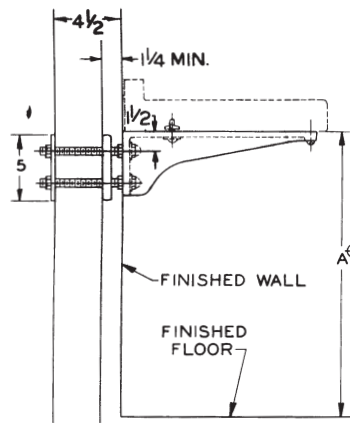
WALL-MOUNT with -BP Back Plates

APPLICATION

For use with lavatories designed for heavy-duty exposed arms where wall construction will support the fixture and carrier assembly.

SPECIFICATION

JOSAM 17390-BP Series wall-mounted, single Lavatory Carrier with exposed acid-resisting white coated arms, leveling and securing screws, adjustable wall plate, back plates and chrome-plated trim.



⊖ VARIABLE – DEPENDS ON FIXTURE.

19 LBS

17405 SERIES

WALL-MOUNT, Exposed Arms

APPLICATION

For use with lavatories designed for heavy-duty exposed arms where wall construction will support the fixture and carrier assembly.

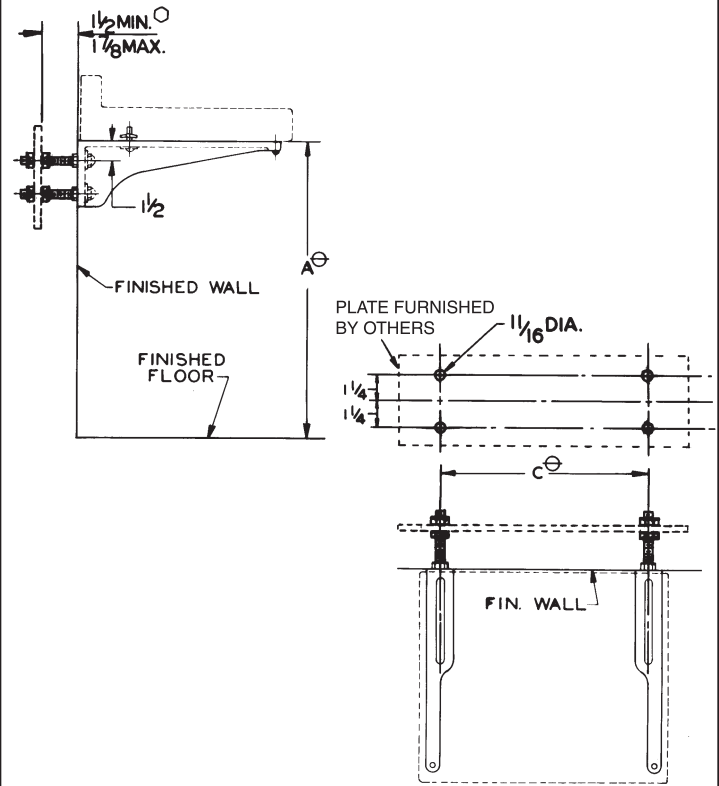
SPECIFICATION

JOSAM 17405 Series wall-mounted, single Lavatory Carrier with exposed acid-resisting white coated arms, leveling and securing screws, mounting rods for securing to wall plate by others and chrome-plated trim.

Available Options

- VP Vandal-Proof Trim
- 10 Hardware for Walls Over 4", Specify Wall Thickness

⊖ VARIABLE – DEPENDS ON FIXTURE.
 ○ DIM. BASED ON 1/4" PLATE BY OTHERS.



15 LBS

CARRIERS

17550 SERIES

FLOOR-MOUNT, Hanger Plate Type

APPLICATION

For use with lavatories furnished with hangers that require a carrier for support and where thin wall construction demands uprights that support the fixture completely independent of the wall.

SPECIFICATION

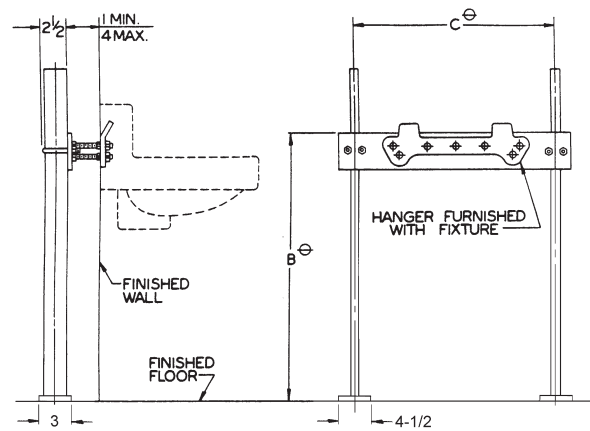
JOSAM 17550 Series floor-mounted, single Lavatory Carrier with hanger plate, adjustable supporting rods, structural uprights and welded feet.

Available Options

- ▼ -BB Back-to-Back Carrier -10 Hardware for Walls over 4", Specify Wall Thickness
- ▼ -CL Corner Lavatory Carrier
- ▼ -UR Urinal Carrier -60 Valve Plate for Attaching to Upright
- ▼ -WC Water Cooler Carrier
- ▼ -WCBL Water Cooler Bi-Level Carrier

⊖ VARIABLE – DEPENDS ON FIXTURE EXCEPT WHEN STD. PLATE IS FURNISHED. C=18-1/4".
RECOMMEND ALL FEET BE SECURED TO FLOOR WITH 1/2" BOLTS AND ANCHORS BY OTHERS.

REUSABLE ALIGNMENT TOOL AVAILABLE. SEE PAGE 45.



34 LBS

17550-BB SERIES

FLOOR-MOUNT, -BB Back-to-Back

APPLICATION

For use with back-to-back lavatories. Furnished with hangers that require a carrier for support and where thin wall construction demands uprights that support the fixture completely independent of the wall.

SPECIFICATION

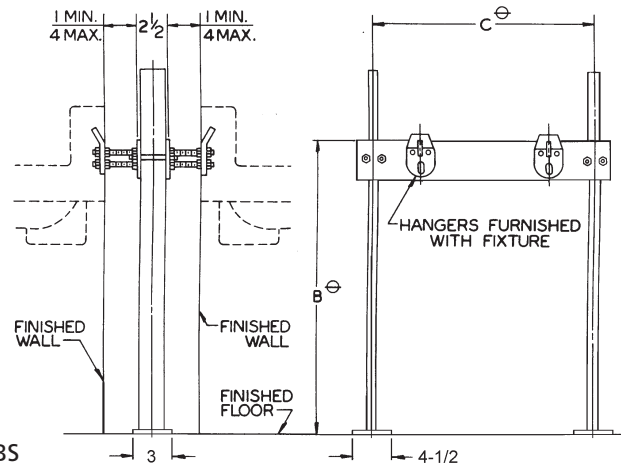
JOSAM 17550-BB Series floor-mounted, back-to-back Lavatory Carrier with hanger plates, adjustable supporting rods, structural uprights and welded feet.

OPTIONS N/A:

- CL, -UR, -WC, -WCBL

⊖ VARIABLE – DEPENDS ON FIXTURE EXCEPT WHEN STD. PLATE IS FURNISHED. C=18-1/4".
RECOMMEND ALL FEET BE SECURED TO FLOOR WITH 1/2" BOLTS AND ANCHORS BY OTHERS.

REUSABLE ALIGNMENT TOOL AVAILABLE. SEE PAGE 45.



34 LBS

17550-UR SERIES

FLOOR-MOUNT, -UR Urinal Carrier

APPLICATION

For use with urinals furnished with hangers that require a carrier for support and where thin wall construction demands uprights that support the fixture completely independent of the wall.

SPECIFICATION

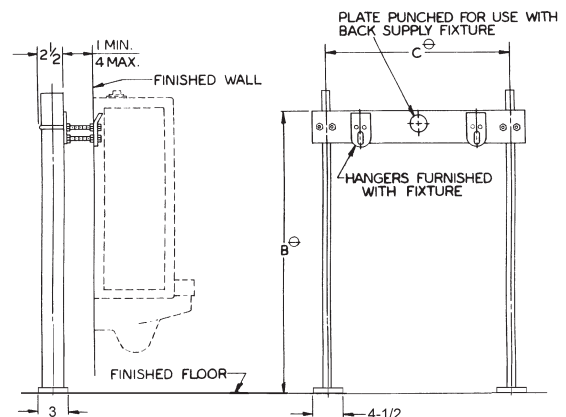
JOSAM 17550-UR Series floor-mounted single Urinal Carrier with hanger plate, adjustable supporting rods, structural uprights and welded feet.

OPTION N/A

- 60

⊖ VARIABLE – DEPENDS ON FIXTURE EXCEPT WHEN STD. PLATE IS FURNISHED. C=18-1/4".
RECOMMEND ALL FEET BE SECURED TO FLOOR WITH 1/2" BOLTS AND ANCHORS BY OTHERS.

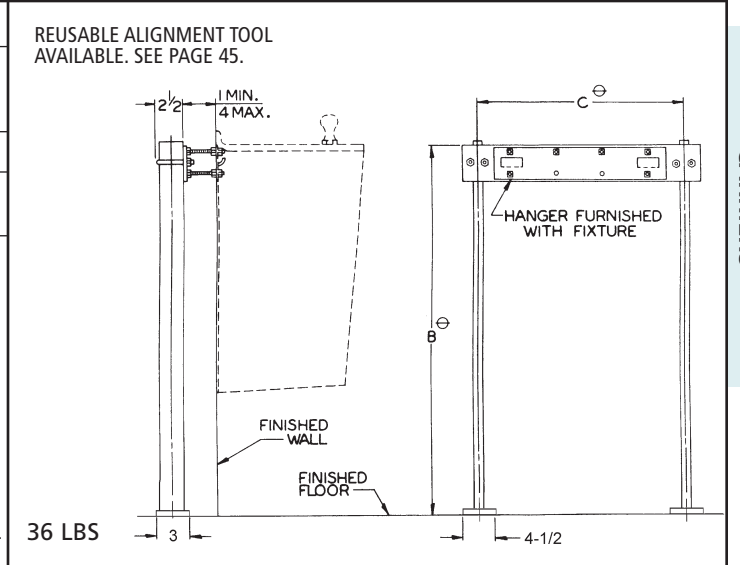
REUSABLE ALIGNMENT TOOL AVAILABLE. SEE PAGE 45.



32 LBS

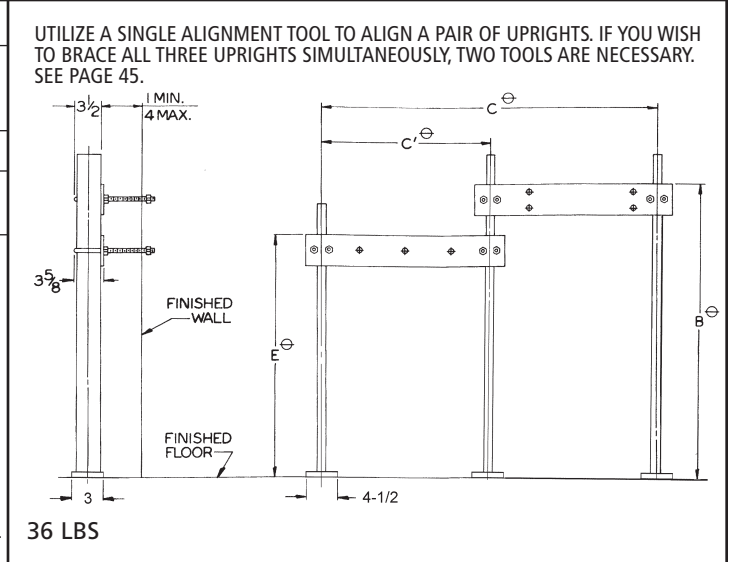
17550-WC SERIES FLOOR-MOUNT, -WC Water Cooler Carrier

APPLICATION
For use with water coolers furnished with hangers that require a carrier for support and where thin wall construction demands uprights that support the fixture completely independent of the wall.
SPECIFICATION
JOSAM 17550-WC Series floor-mounted single Water Cooler Carrier with hanger plate, adjustable supporting rods, structural uprights and welded feet.
OPTION N/A -60
⊖ VARIABLE – DEPENDS ON FIXTURE EXCEPT WHEN STD. PLATE IS FURNISHED. C=18-1/4". RECOMMEND ALL FEET BE SECURED TO FLOOR WITH 1/2" BOLTS AND ANCHORS BY OTHERS.



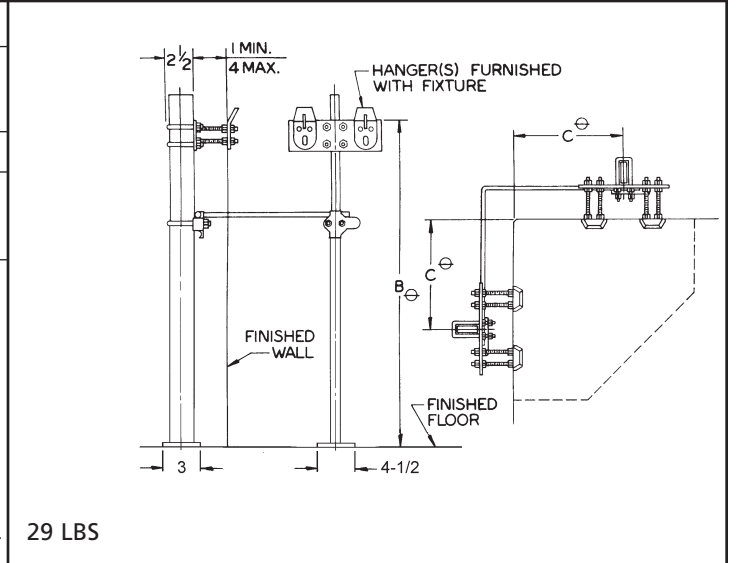
17550-WCBL SERIES FLOOR-MOUNT, -WCBL Water Cooler Bi-Level Carrier

APPLICATION
For use with bi-level water coolers furnished with hangers that require a carrier for support and where thin wall construction demands uprights that support the fixture completely independent of the wall.
SPECIFICATION
JOSAM 17550-WCBL Series floor-mounted bi-level Water Cooler Carrier with hanger plates and adjustable supporting rods, structural uprights and welded feet.
OPTION N/A -60
⊖ VARIABLE – DEPENDS ON FIXTURE. RECOMMEND ALL FEET BE SECURED TO FLOOR WITH 1/2" BOLTS AND ANCHORS BY OTHERS.



17550-CL SERIES FLOOR-MOUNT, -CL Corner Lavatory Carrier

APPLICATION
For use with corner lavatories furnished with hangers that require a carrier for support and where thin wall construction demands uprights that support the fixture completely independent of the wall.
SPECIFICATION
JOSAM 17550-CL Series floor-mounted single Lavatory Carrier for supporting corner type lavatories with hanger plates, adjustable supporting rods, structural uprights and welded feet.
⊖ VARIABLE – DEPENDS ON FIXTURE. RECOMMEND ALL FEET BE SECURED TO FLOOR WITH 1/2" BOLTS AND ANCHORS BY OTHERS.



17560 SERIES

FLOOR-MOUNT, Bearing Plate Type

APPLICATION

For use with lavatories furnished with hangers that require a carrier for support with bearing plate and where thin wall construction demands uprights that support the fixture completely independent of the wall.

SPECIFICATION

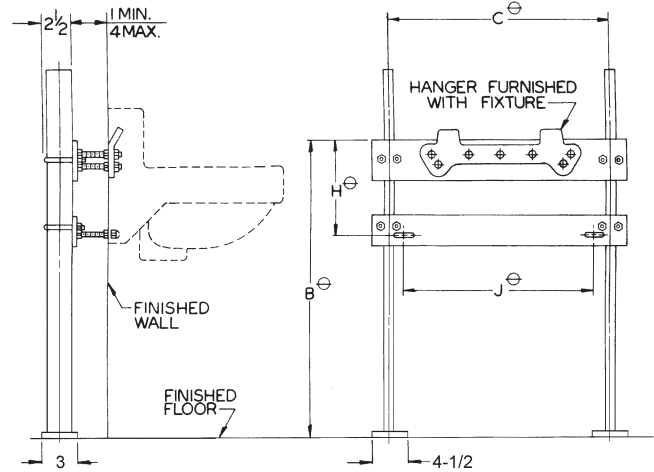
JOSAM 17560 Series floor-mounted, single Lavatory Carrier with hanger and bearing plate, adjustable supporting rods, structural uprights, welded feet and chrome-plated trim.

Available Options

- ▼ -BB Back-to-Back Carrier -10 Hardware for Walls over 4", Specify Wall Thickness
- ▼ -UR Urinal Carrier
- ▼ -WC Water Cooler Carrier -60 Valve Plate for Attaching to Upright
- ▼ -WCBL Water Cooler Bi-Level Carrier

⊖ VARIABLE – DEPENDS ON FIXTURE
RECOMMEND ALL FEET BE SECURED TO FLOOR WITH 1/2" BOLTS AND ANCHORS BY OTHERS.

REUSABLE ALIGNMENT TOOL AVAILABLE. SEE PAGE 45.



38 LBS

17560-BB SERIES

FLOOR-MOUNT, -BB Back-to-Back

APPLICATION

For use with back-to-back lavatories furnished with hangers that require a carrier for support with bearing plate and where thin wall construction demands uprights that support the fixture completely independent of the wall.

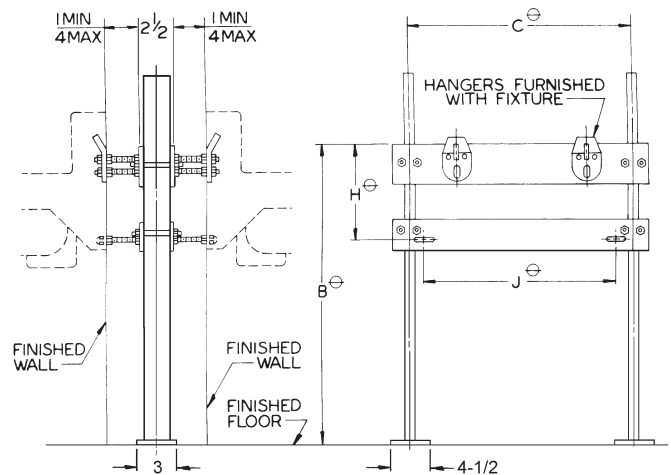
SPECIFICATION

JOSAM 17560-BB Series floor-mounted back-to-back Lavatory Carrier with hanger plates, bearing plates, adjustable supporting rods, structural uprights, welded feet and chrome-plated trim.

OPTIONS N/A:
-UR, -WC, -WCBL

⊖ VARIABLE – DEPENDS ON FIXTURE EXCEPT WHEN STD. PLATE IS FURNISHED. C=18-1/2".
RECOMMEND ALL FEET BE SECURED TO FLOOR WITH 1/2" BOLTS AND ANCHORS BY OTHERS.

REUSABLE ALIGNMENT TOOL AVAILABLE. SEE PAGE 45.



43 LBS

17560-UR SERIES	FLOOR-MOUNT, -UR Urinal Carrier
<p style="text-align: center;">APPLICATION</p> <p>For use with urinals furnished with hangers that require a carrier for support with bearing plate and where thin wall construction demands uprights that support the fixture completely independent of the wall.</p>	<p>REUSABLE ALIGNMENT TOOL AVAILABLE. SEE PAGE 45.</p>
<p style="text-align: center;">SPECIFICATION</p> <p>JOSAM 17560-UR Series floor-mounted single Urinal Carrier with hanger plate, bearing plate, adjustable supporting rods, structural uprights, welded feet and chrome-plated trim.</p>	
<p>OPTION N/A -60</p> <p>⊖ VARIABLE – DEPENDS ON FIXTURE EXCEPT WHEN STD. PLATE IS FURNISHED. C=18-1/4" AND E DOES NOT APPLY. RECOMMEND ALL FEET BE SECURED TO FLOOR WITH 1/2" BOLTS AND ANCHORS BY OTHERS.</p>	
38 LBS	

17560-WC SERIES	FLOOR-MOUNT, -WC Water Cooler Carrier
<p style="text-align: center;">APPLICATION</p> <p>For use with water coolers furnished with hangers that require a carrier for support with bearing plate and where thin wall construction demands uprights that support the fixture completely independent of the wall.</p>	<p>REUSABLE ALIGNMENT TOOL AVAILABLE. SEE PAGE 45.</p>
<p style="text-align: center;">SPECIFICATION</p> <p>JOSAM 17560-WC Series floor-mounted, single Water Cooler Carrier with hanger plate, bearing plate, adjustable supporting rods, structural uprights, welded feet and chrome-plated trim.</p>	
<p>OPTION N/A -60</p> <p>⊖ VARIABLE – DEPENDS ON FIXTURE EXCEPT WHEN STD. PLATE IS FURNISHED. C=18-1/4". RECOMMEND ALL FEET BE SECURED TO FLOOR WITH 1/2" BOLTS AND ANCHORS BY OTHERS.</p>	
36 LBS	

17560-WCBL SERIES	FLOOR-MOUNT, -WCBL Water Cooler Bi-Level Carrier
<p style="text-align: center;">APPLICATION</p> <p>For use with bi-level water coolers furnished with hangers that require a carrier for support with bearing plate and where thin wall construction demands uprights that support the fixture completely independent of the wall.</p>	<p>UTILIZE A SINGLE ALIGNMENT TOOL TO ALIGN A PAIR OF UPRIGHTS. IF YOU WISH TO BRACE ALL THREE UPRIGHTS SIMULTANEOUSLY, TWO TOOLS ARE NECESSARY. SEE PAGE 45.</p>
<p style="text-align: center;">SPECIFICATION</p> <p>JOSAM 17560-WCBL Series floor-mounted, double Water Cooler Carrier with hanger plates, bearing plates, adjustable supporting rods, structural uprights, welded feet and chrome-plated trim.</p>	
<p>OPTION N/A -60</p> <p>⊖ VARIABLE – DEPENDS ON FIXTURE. RECOMMEND ALL FEET BE SECURED TO FLOOR WITH 1/2" BOLTS AND ANCHORS BY OTHERS.</p>	
61 LBS	

17590 SERIES

WALL-MOUNT, Hanger Plate Type

APPLICATION

For use with lavatories furnished with hangers that require a carrier for support where wall construction will support the fixture and carrier assembly.

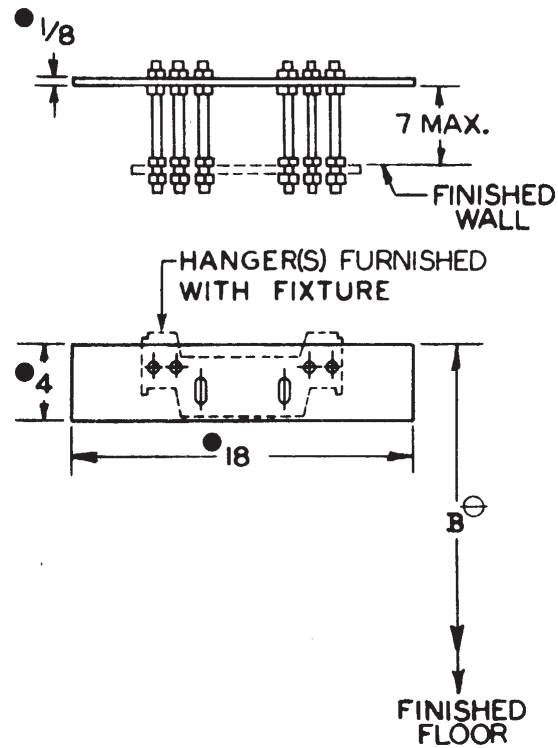
SPECIFICATION

JOSAM 17590 Series wall-mounted, single Lavatory Carrier with hanger plate and adjustable supporting rods.

Available Options

- ▼ -DP Double Plate Carrier
- ▼ -UR Urinal Carrier
- 10 Hardware for Walls over 7", Specify Wall Thickness
Hardware for Walls over 4" on 17590-DP and 17590-UR-DP,
Specify Wall Thickness

⊖ VARIABLE – DEPENDS ON FIXTURE.
● STD. PLATE IS 3/16" x 4" x 21-1/2".



4 LBS

17590-DP SERIES

WALL-MOUNT, -DP Double Plate Carrier

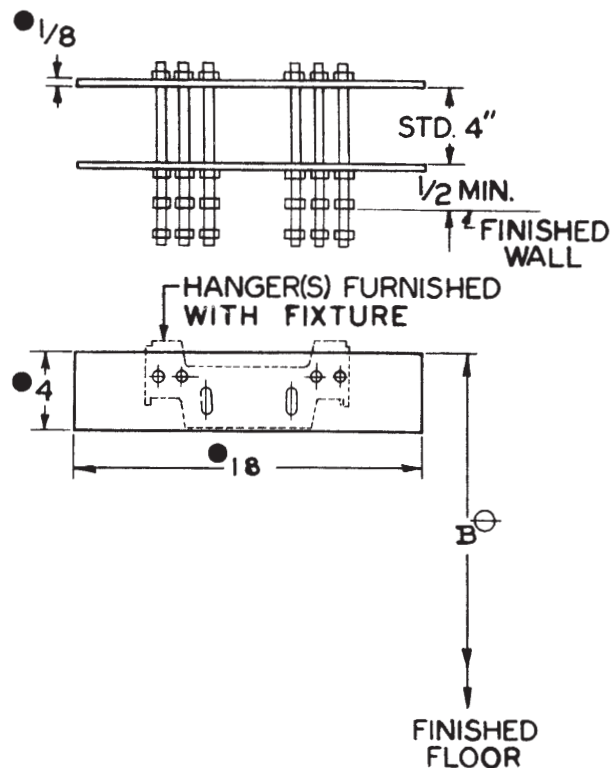
APPLICATION

For use with lavatories furnished with hangers that require a carrier for support where wall construction will support the fixture and carrier assembly.

SPECIFICATION

JOSAM 17590-DP Series wall-mounted single Lavatory Carrier with hanger plates and adjustable supporting rods.

⊖ VARIABLE – DEPENDS ON FIXTURE.
● STD. PLATE IS 3/16" x 4" x 21-1/2".

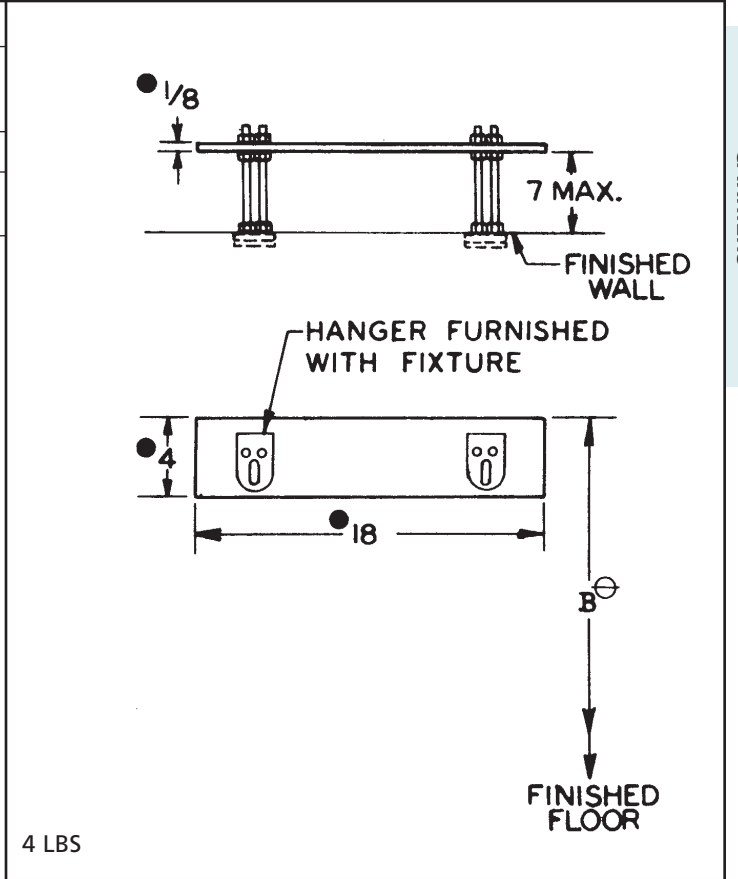


7 LBS

17590-UR SERIES WALL-MOUNT, -UR Urinal Carrier

APPLICATION
 Multipurpose carrier for use with urinals furnished with hangers that require a carrier for support where wall construction will support the fixture and carrier assembly.

SPECIFICATION
 JOSAM 17590-UR Series wall-mounted single Urinal Carrier with hanger plate and adjustable supporting rods.

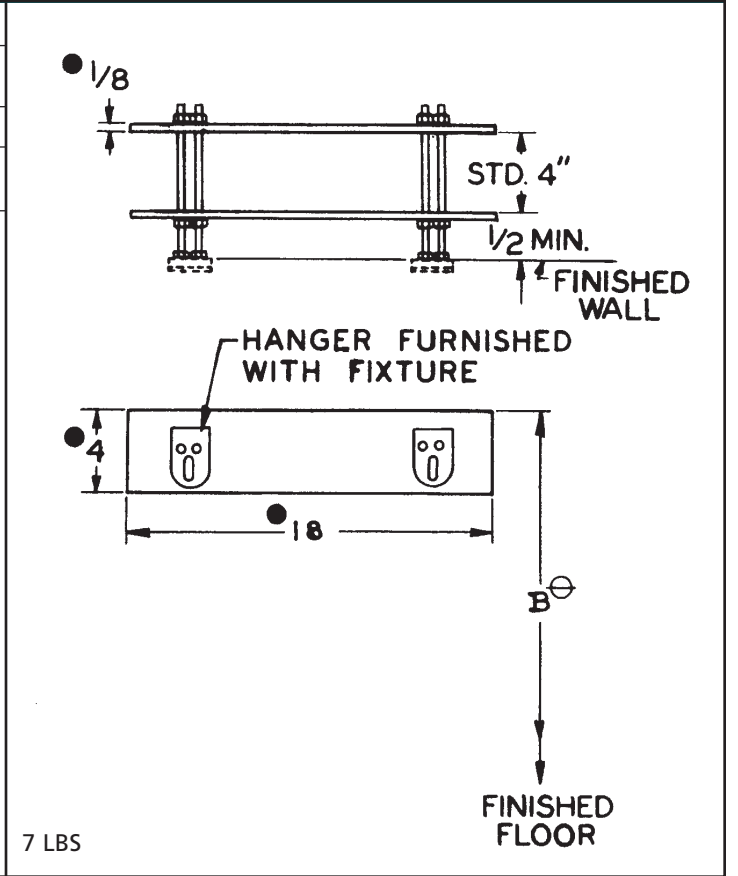


⊖ VARIABLE – DEPENDS ON FIXTURE.
 ● STD. PLATE IS 3/16" x 4" x 21-1/2".

17590-UR-DP SERIES WALL-MOUNT, -UR Urinal Carrier with -DP Double Plates

APPLICATION
 For use with urinals furnished with hangers that require a carrier for support where wall construction will support the fixture and carrier assembly.

SPECIFICATION
 JOSAM 17590-UR-DP Series wall-mounted single Urinal Carrier with hanger plates and adjustable supporting rods.



⊖ VARIABLE – DEPENDS ON FIXTURE.
 ● STD. PLATE IS 3/16" x 4" x 21-1/2".

17720 SERIES

FLOOR-MOUNT, Heavy-Duty Type

APPLICATION

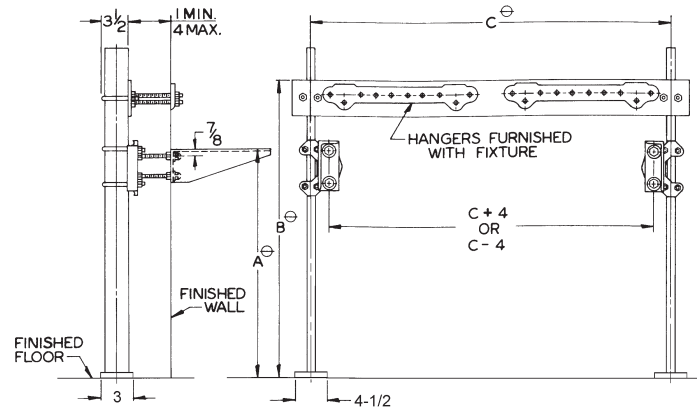
For use with service sinks designed for heavy-duty exposed arms and hanger plate where thin wall construction demands uprights that support the fixture completely independent of the wall.

SPECIFICATION

JOSAM 17720 Series floor-mounted, single, heavy-duty Sink Carrier with hanger plate, adjustable supporting rods, acid-resisting white coated arms, leveling and securing screws, structural uprights, welded feet and chrome-plated trim.

Available Options

- VP Vandal-Proof Trim
- 10 Hardware for Walls over 4", Specify Wall Thickness
- ▼-66 Split Header for Stainless Steel Arms



59 LBS

⊖ VARIABLE – DEPENDS ON FIXTURE.

RECOMMEND ALL FEET BE SECURED TO FLOOR WITH 1/2" BOLTS AND ANCHORS BY OTHERS.

17720-66 SERIES FLOOR-MOUNT, with -66 Split Header for Stainless Steel Arms

APPLICATION

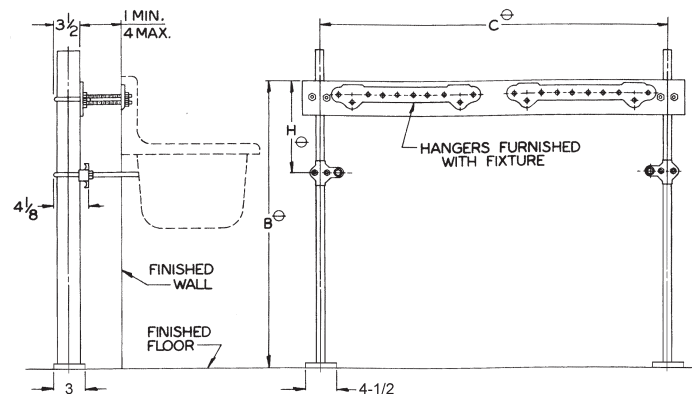
For use with wash-up sinks designed for heavy-duty exposed arms and hanger plate where thin wall construction demands uprights that support the fixture completely independent of the wall.

SPECIFICATION

JOSAM 17720-66 Series floor-mounted, single, heavy-duty Sink Carrier with hanger plate, adjustable supporting rods and bearing studs, structural uprights, welded feet and chrome-plated trim.

OPTION N/A:

- VP



34 LBS

⊖ VARIABLE – DEPENDS ON FIXTURE.

RECOMMEND ALL FEET BE SECURED TO FLOOR WITH 1/2" BOLTS AND ANCHORS BY OTHERS.

17730 SERIES

FLOOR-MOUNT with Adjustable Coupling

APPLICATION

For use with 4" back-outlet flushing rim service sinks designed for hanging on heavy-duty studs with support plates and 4" piping connection where thin wall construction demands uprights that support the fixture completely independent of the wall.

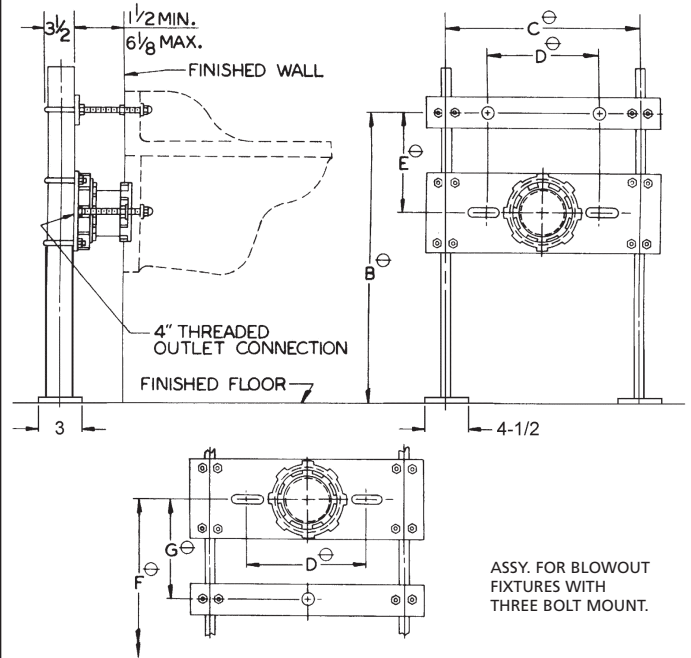
SPECIFICATION

JOSAM 17730 Series floor-mounted single heavy-duty Sink Carrier with support plates, adjustable coupling with 4" piping connection, mounting studs, structural uprights, welded feet and chrome-plated trim.

Available Options

- VP Vandal-Proof Trim
- 11 Cast Iron Adjustable Extension through 12" Length, Specify 6", 9", 12" on Order
- 60 Valve Plate for Attaching to Upright

⊖ VARIABLE – DEPENDS ON FIXTURE.
RECOMMEND ALL FEET BE SECURED TO FLOOR WITH 1/2" BOLTS AND ANCHORS BY OTHERS.



45 LBS

17735 SERIES

FLOOR-MOUNT with Fitting

APPLICATION

For use with 4" back-outlet flushing rim service sinks designed for hanging on heavy-duty studs with support plates and 4" x 2" waste fitting where thin wall construction demands uprights that support the fixture completely independent of the wall.

SPECIFICATION

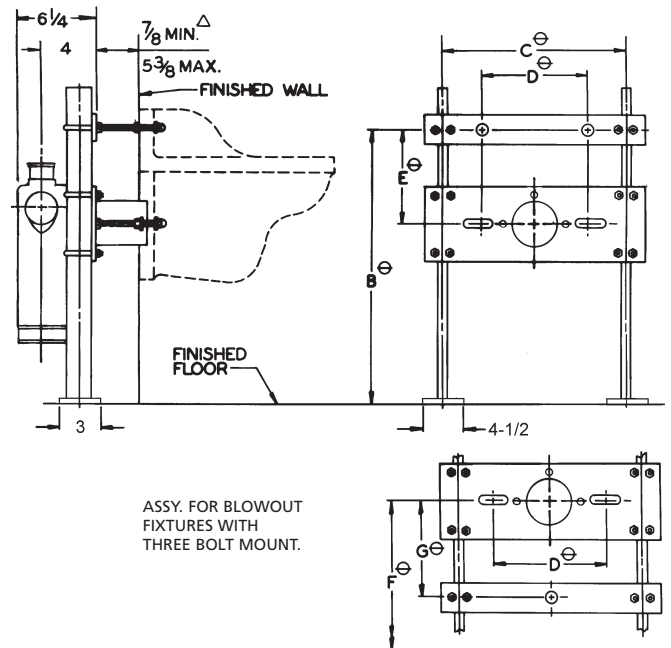
JOSAM 17735 Series floor-mounted single heavy-duty Sink Carrier with support plates, adjustable coupling with 4" x 2" waste fitting, mounting studs, structural uprights, welded feet and chrome-plated trim.

Available Options

- VP Vandal-Proof Trim
- 10 Hardware for Walls Over 5-3/8", Specify Wall Thickness
- 45 Threaded High Left-Hand Auxiliary Vent
- 46 Threaded High Right-Hand Auxiliary Vent

NOTE: Other Fittings Available on Request.
Contact your JOSAM Representative.

⊖ VARIABLE – DEPENDS ON FIXTURE.
△ FOR DIM. LESS THAN 5-3/8", CUT EXT.
RECOMMEND ALL FEET BE SECURED TO FLOOR WITH 1/2" BOLTS AND ANCHORS BY OTHERS.



55 LBS