



STAINLESS STEEL DRAINAGE PRODUCTS



JOSAM STAINLESS STEEL PUSH-FIT DRAINAGE SYSTEM



As a compliment to Josam Company's full line of stainless steel drains, Josam Company also provides a complete Stainless Steel Push-Fit Drainage System. Josam Company offers a complete range of 316L austenitic stainless steel pipes, fittings and accessories. All pipes and fittings are manufactured using the labor saving "Push-Fit" design. Josam stainless steel drains, cleanouts and trench drains are available with an optional Push-Fit outlet (PFO) for easy connection to the Josam Push-Fit Drainage System.

For more details on Josam Company's Stainless Steel Push-Fit Drainage System please refer to the product catalog, contact your local Josam representative or visit our website at www.Josam.com.



Table of Contents

- Company and Product Information Page 1
- Stainless Steel Floor Drains and Explanation of Part Numbers Page 2
- Non-Adjustable Stainless Steel Floor Drains Page 3-7
- Adjustable Stainless Steel Floor Drains..... Page 8-9
- Stainelss Steel Retrofit Liners and Explanation of Part Numbers..... Page 10
- Stainless Steel Retrofit Liners Page 11-12
- Stainless Steel Cleanouts and Explanation of Part Numbers Page 13
- Stainless Steel Cleanouts..... Page 14
- Stainless Steel Trench Drain and Explanation of Part Numbers Page 15
- Stainless Steel Trench Drains..... Page 16
- Stainless Steel Slot/Mini Channels and Explanation of Part Numbers Page 17
- Stainless Steel Slot and Mini Channels..... Page 18
- Stainless Steel Shower Channels Page 19
- Options..... Page 20
- Grates..... Page 21
- Cast Stainless Steel Floor Drains Page 22-23
- Custom Products and Installation Examples..... Page 24



Josam Company Experience

Over the last twenty years Josam Company has pioneered the use of stainless steel drainage products in the United States. Our success has allowed us to gather information from users of our products in various industries. This information has enabled Josam to make enhancements to our line and to provide stainless steel products that meet the demands of the market place. With the incorporation of these improvements, we are pleased to introduce Josam Company's new and innovative line of stainless steel drains.

Product Range

Manufactured in either 304 or 316L stainless steel, Josam Company's standard product range includes:

- Round and square top stainless steel floor drains
- A variety of top sizes
- Various body depths
- Adjustable and non-adjustable drains
- Outlets in 2" through 8" sizes
- A diverse line of engineered trench drain products
- Grates for the lightest to heaviest of loads

Custom Products

In addition to the standard products included in this brochure, Josam Company welcomes your inquiries for customized product to suit your individual requirements. For more details on custom applications please refer to the inside back cover of this brochure.

Material Benefits

All Josam drains are manufactured in type 304 or 316L austenitic stainless steel. Due to the superior properties of austenitic stainless steel, Josam Company's drainage products are extremely hygienic. With bacteria growth on drains becoming a serious concern in many applications, the demand for the non-porous surface and hygienic characteristics of stainless steel continues to increase. In addition to hygienic benefits, stainless steel offers greater life expectancy and meets new requirements for a sustainable design.

Dedication, Service and Commitment

For over twenty years, Josam personnel have worked with owners, architects, engineers and installers to ensure that the stainless steel products that we provide meet their requirements. Josam takes pride in the dedication of our customer service and engineering departments. Our technical staff welcomes inquiries for both standard and custom products and are poised to offer product advice to assist you in your specific project needs. We are committed to providing only the highest quality products and are sensitive to the time constraints in today's accelerated construction schedules.

Stainless Steel Floor Drains

Floor drain requirements will vary depending on specific project demands. Josam Company offers a wide variety of standard products to meet these needs.

Josam Company's standard range of floor drains includes:

- 8", 10" and 12" round tops
- 6", 8", 10", 12" and 16" square tops
- 6" through 18" body depths
- Adjustable and non-adjustable drains
- 2" through 8" no-hub outlets for easy connection to existing piping
- Edge backfilling to eliminate voids and provide extra support for extreme loads
- Concrete anchor tabs
- Grates for the lightest to heaviest loads



EXPLANATION OF PART NUMBERS FOR FLOOR DRAINS

First Two Digits	Third Digit	Fourth Digit	Fifth Digit
Drain Type	Top Size (Number = 1/2 Top Size)	Body Depth (Number = 1/2 Depth)	Outlet Size
41 = Non-Adjustable Square Top	3 = 6" Top Size 4 = 8" Top Size	3 = 6" Depth 4 = 8" Depth	2 = 2" 3 = 3" 4 = 4"
42 = Non-Adjustable Round Top	5 = 10" Top Size 6 = 12" Top Size	5 = 10" Depth 7 = 14" Depth	6 = 6" 8 = 8"
43 = Adjustable Square Top	8 = 16" Top Size		
44 = Adjustable Round Top			

EXAMPLE: 41533

- 41 = Non-Adjustable Square Top
- 5 = 10" Top Size
- 3 = 6" Body Depth
- 3 = 3" Outlet

6x6 SQUARE TOP, 6" DEEP, NO-HUB OUTLET

SERIES NUMBER	PIPE SIZE NOM.	D	H	H1	W
41332	2"	4.3" 110mm	5.6" 142mm	2.6" 65mm	5.9" 150mm
41333	3"	4.3" 110mm	5.6" 142mm	2.6" 65mm	5.9" 150mm

8x8 SQUARE TOP, 6" DEEP, NO-HUB OUTLET

SERIES NUMBER	PIPE SIZE NOM.	D	H	H1	W
41432	2"	6.2" 157mm	6.1" 154mm	3.0" 75mm	7.8" 197mm
41433	3"	6.2" 157mm	6.1" 154mm	3.0" 75mm	7.8" 197mm
41434	4"	6.2" 157mm	6.1" 154mm	3.0" 75mm	7.8" 197mm

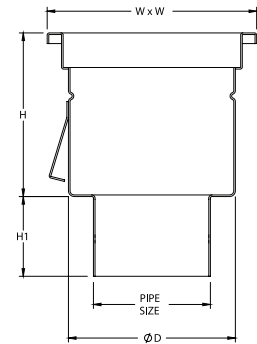
8x8 SQUARE TOP, 8" DEEP, NO-HUB OUTLET

SERIES NUMBER	PIPE SIZE NOM.	D	H	H1	W
41442	2"	6.2" 157mm	8.0" 204mm	3.0" 75mm	7.8" 197mm
41443	3"	6.2" 157mm	8.0" 204mm	3.0" 75mm	7.8" 197mm
41444	4"	6.2" 157mm	8.0" 204mm	3.0" 75mm	7.8" 197mm

Available with Side Outlet, -SO

10x10 SQUARE TOP, 6" DEEP, NO-HUB OUTLET

SERIES NUMBER	PIPE SIZE NOM.	D	H	H1	W
41532	2"	7.6" 193mm	6.1" 154mm	3.0" 75mm	9.7" 247mm
41533	3"	7.6" 193mm	6.1" 154mm	3.0" 75mm	9.7" 247mm
41534	4"	7.6" 193mm	6.1" 154mm	3.0" 75mm	9.7" 247mm



304 STAINLESS STEEL & REINFORCED PERFORATED GRATE PROVIDED STANDARD. FOR OPTIONS AND GRATE DETAILS SEE PAGE 20 and 21.

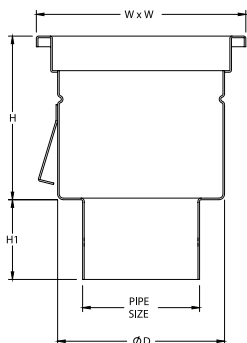
10x10 SQUARE TOP, 10" DEEP, NO-HUB OUTLET

SERIES NUMBER	PIPE SIZE NOM.	D	H	H1	W
41552	2"	7.6" 193mm	9.6" 244mm	3.0" 75mm	9.7" 247mm
41553	3"	7.6" 193mm	9.6" 244mm	3.0" 75mm	9.7" 247mm
41554	4"	7.6" 193mm	9.6" 244mm	3.0" 75mm	9.7" 247mm

Available with Side Outlet, -SO

12x12 SQUARE TOP, 6" DEEP, NO-HUB OUTLET

SERIES NUMBER	PIPE SIZE NOM.	D	H	H1	W
41633	3"	10.0" 255mm	6.1" 154mm	3.7" 95mm	11.7" 297mm
41634	4"	10.0" 255mm	6.1" 154mm	3.7" 95mm	11.7" 297mm
41636	6"	10.0" 255mm	6.1" 154mm	3.7" 95mm	11.7" 297mm



12x12 SQUARE TOP, 10" DEEP, NO-HUB OUTLET

SERIES NUMBER	PIPE SIZE NOM.	D	H	H1	W
41653	3"	10.0" 255mm	9.6" 244mm	3.7" 95mm	11.7" 297mm
41654	4"	10.0" 255mm	9.6" 244mm	3.7" 95mm	11.7" 297mm
41656	6"	10.0" 255mm	9.6" 244mm	3.7" 95mm	11.7" 297mm

Available with Side Outlet, -SO

16x16 SQUARE TOP, 14" DEEP, NO-HUB OUTLET

SERIES NUMBER	PIPE SIZE NOM.	D	H	H1	W
41874	4"	13.7" 348mm	13.9" 354mm	3.7" 95mm	15.6" 397mm
41876	6"	13.7" 348mm	13.9" 354mm	3.7" 95mm	15.6" 397mm
41878	8"	13.7" 348mm	13.9" 354mm	3.7" 95mm	15.6" 397mm

304 STAINLESS STEEL & REINFORCED PERFORATED GRATE PROVIDED STANDARD. FOR OPTIONS AND GRATE DETAILS SEE PAGE 20 and 21.

8" ROUND TOP, 6" DEEP, NO-HUB OUTLET

SERIES NUMBER	PIPE SIZE NOM.	D	H	H1	Ø
42432	2"	6.2" 157mm	6.1" 154mm	3.0" 75mm	7.8" 198mm
42433	3"	6.2" 157mm	6.1" 154mm	3.0" 75mm	7.8" 198mm
42434	4"	6.2" 157mm	6.1" 154mm	3.0" 75mm	7.8" 198mm

304 STAINLESS STEEL & REINFORCED PERFORATED GRATE PROVIDED STANDARD.



8" ROUND, 8 MM SOLID GAS TIGHT COVER, 6" DEEP, NO-HUB OUTLET

SERIES NUMBER	PIPE SIZE NOM.	Cover Type	D	H	H1	Ø
42432-SK	2"	Key	6.2" 157mm	6.1" 154mm	3.0" 75mm	7.8" 198mm
42432-SV	2"	Vacuum Handle	6.2" 157mm	6.1" 154mm	3.0" 75mm	7.8" 198mm
42433-SK	3"	Key	6.2" 157mm	6.1" 154mm	3.0" 75mm	7.8" 198mm
42433-SV	3"	Vacuum Handle	6.2" 157mm	6.1" 154mm	3.0" 75mm	7.8" 198mm
42434-SK	4"	Key	6.2" 157mm	6.1" 154mm	3.0" 75mm	7.8" 198mm
42434-SV	4"	Vacuum Handle	6.2" 157mm	6.1" 154mm	3.0" 75mm	7.8" 198mm

304 STAINLESS STEEL & EXTRA HEAVY DUTY SOLID GASKETED COVER PROVIDED STANDARD.

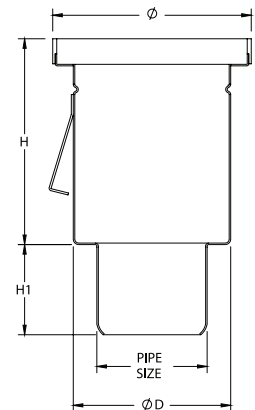


8" ROUND TOP, 8" DEEP, NO-HUB OUTLET

SERIES NUMBER	PIPE SIZE NOM.	D	H	H1	Ø
42442	2"	6.2" 157mm	8.0" 204mm	3.0" 75mm	7.8" 198mm
42443	3"	6.2" 157mm	8.0" 204mm	3.0" 75mm	7.8" 198mm
42444	4"	6.2" 157mm	8.0" 204mm	3.0" 75mm	7.8" 198mm

Available with Side Outlet, -SO

304 STAINLESS STEEL & REINFORCED PERFORATED GRATE PROVIDED STANDARD.



FOR OPTIONS AND GRATE DETAILS SEE PAGE 20 and 21.



8" ROUND, 8 MM SOLID GAS TIGHT COVER, 8" DEEP, NO-HUB OUTLET

SERIES NUMBER	PIPE SIZE NOM.	Cover Type	D	H	H1	Ø
42442-SK	2"	Key	6.2" 157mm	8.0" 204mm	3.0" 75mm	7.8" 198mm
42442-SV	2"	Vacuum Handle	6.2" 157mm	8.0" 204mm	3.0" 75mm	7.8" 198mm
42443-SK	3"	Key	6.2" 157mm	8.0" 204mm	3.0" 75mm	7.8" 198mm
42443-SV	3"	Vacuum Handle	6.2" 157mm	8.0" 204mm	3.0" 75mm	7.8" 198mm
42444-SK	4"	Key	6.2" 157mm	8.0" 204mm	3.0" 75mm	7.8" 198mm
42444-SV	4"	Vacuum Handle	6.2" 157mm	8.0" 204mm	3.0" 75mm	7.8" 198mm

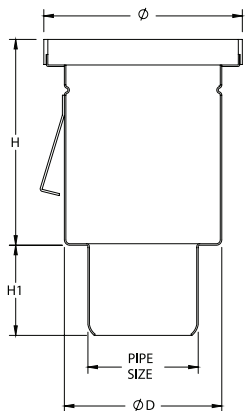
304 STAINLESS STEEL & EXTRA HEAVY DUTY SOLID GASKETED COVER PROVIDED STANDARD.



10" ROUND TOP, 6" DEEP, NO-HUB OUTLET

SERIES NUMBER	PIPE SIZE NOM.	D	H	H1	Ø
42532	2"	7.6" 193mm	6.1" 154mm	3.0" 75mm	10.2" 260mm
42533	3"	7.6" 193mm	6.1" 154mm	3.0" 75mm	10.2" 260mm
42534	4"	7.6" 193mm	6.1" 154mm	3.0" 75mm	10.2" 260mm

304 STAINLESS STEEL & REINFORCED PERFORATED GRATE PROVIDED STANDARD.



10" ROUND, 8MM SOLID GAS TIGHT COVER, 6" DEEP, NO-HUB OUTLET

SERIES NUMBER	PIPE SIZE NOM.	Cover Type	D	H	H1	Ø
42532-SK	2"	Key	7.6" 193mm	6.1" 154mm	3.0" 75mm	10.2" 260mm
42532-SV	2"	Vacuum Handle	7.6" 193mm	6.1" 154mm	3.0" 75mm	10.2" 260mm
42533-SK	3"	Key	7.6" 193mm	6.1" 154mm	3.0" 75mm	10.2" 260mm
42533-SV	3"	Vacuum Handle	7.6" 193mm	6.1" 154mm	3.0" 75mm	10.2" 260mm
42534-SK	4"	Key	7.6" 193mm	6.1" 154mm	3.0" 75mm	10.2" 260mm
42534-SV	4"	Vacuum Handle	7.6" 193mm	6.1" 154mm	3.0" 75mm	10.2" 260mm

304 STAINLESS STEEL & HEAVY DUTY SOLID GASKETED COVER PROVIDED STANDARD.



FOR OPTIONS AND GRATE DETAILS SEE PAGE 20 and 21.

10" ROUND TOP, 10" DEEP, NO-HUB OUTLET

SERIES NUMBER	PIPE SIZE NOM.	D	H	H1	Ø
42552	2"	7.6" 193mm	9.6" 244mm	3.0" 75mm	10.2" 260mm
42553	3"	7.6" 193mm	9.6" 244mm	3.0" 75mm	10.2" 260mm
42554	4"	7.6" 193mm	9.6" 244mm	3.0" 75mm	10.2" 260mm

Note: Available with Side Outlet, -SO
304 STAINLESS STEEL & REINFORCED PERFORATED GRATE PROVIDED STANDARD.

10" ROUND, 8 MM SOLID GAS TIGHT COVER, 10" DEEP, NO-HUB OUTLET

SERIES NUMBER	PIPE SIZE NOM.	Cover Type	D	H	H1	Ø
42552-SK	2"	Key	7.6" 193mm	9.6" 244mm	3" 75mm	10.2" 260mm
42552-SV	2"	Vacuum Handle	7.6" 193mm	9.6" 244mm	3" 75mm	10.2" 260mm
42553-SK	3"	Key	7.6" 193mm	9.6" 244mm	3" 75mm	10.2" 260mm
42553-SV	3"	Vacuum Handle	7.6" 193mm	9.6" 244mm	3" 75mm	10.2" 260mm
42554-SK	4"	Key	7.6" 193mm	9.6" 244mm	3" 75mm	10.2" 260mm
42554-SV	4"	Vacuum Handle	7.6" 193mm	9.6" 244mm	3" 75mm	10.2" 260mm

Note: Available with Side Outlet, -SO
304 STAINLESS STEEL & HEAVY DUTY SOLID GASKETED COVER PROVIDED STANDARD.

12" ROUND TOP, 6" DEEP, NO-HUB OUTLET

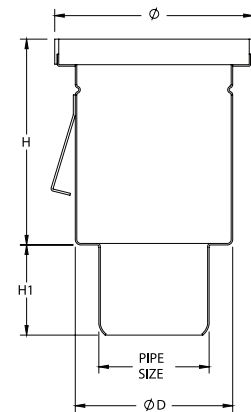
SERIES NUMBER	PIPE SIZE NOM.	D	H	H1	Ø
42633	3"	10.0" 255mm	6.1" 154mm	3.7" 95mm	11.8" 300mm
42634	4"	10.0" 255mm	6.1" 154mm	3.7" 95mm	11.8" 300mm
42636	6"	10.0" 255mm	6.1" 154mm	3.7" 95mm	11.8" 300mm

12" ROUND TOP, 10" DEEP, NO-HUB OUTLET

SERIES NUMBER	PIPE SIZE NOM.	D	H	H1	Ø
42653	3"	10.0" 255mm	9.6" 244mm	3.7" 95mm	11.8" 300mm
42654	4"	10.0" 255mm	9.6" 244mm	3.7" 95mm	11.8" 300mm
42656	6"	10.0" 255mm	9.6" 244mm	3.7" 95mm	11.8" 300mm

Available with Side Outlet, -SO
304 STAINLESS STEEL & REINFORCED PERFORATED GRATE PROVIDED STANDARD.

FOR OPTIONS AND GRATE DETAILS SEE PAGE 20 and 21.



6x6 SQUARE ADJUSTABLE TOP, 10" MAXIMUM DEPTH, NO-HUB OUTLET

SERIES NUMBER	PIPE SIZE NOM.	D	H	H1	H2	W
43352	2"	5.4" 137 mm	5.7" 145mm	2.6" 65mm	2.0" - 5.1" 50mm - 130mm	5.9" 150mm
43353	3"	5.4" 137 mm	5.7" 145mm	2.6" 65mm	2.0" - 5.1" 50mm - 130mm	5.9" 150mm

8x8 SQUARE ADJUSTABLE TOP, 10" MAXIMUM DEPTH, NO-HUB OUTLET

SERIES NUMBER	PIPE SIZE NOM.	D	H	H1	H2	W
43452	2"	6.2" 157mm	6.7" 170mm	3.0" 75mm	2.0" - 3.9" 50mm - 100 mm	7.8" 197mm
43453	3"	6.2" 157mm	6.7" 170mm	3.0" 75mm	2.0" - 3.9" 50mm - 100 mm	7.8" 197mm
43454	4"	6.2" 157mm	6.7" 170mm	3.0" 75mm	2.0" - 3.9" 50mm - 100 mm	7.8" 197mm

Available with Side Outlet, -SO

10x10 SQUARE ADJUSTABLE TOP, 14" MAXIMUM DEPTH, NO-HUB OUTLET

SERIES NUMBER	PIPE SIZE NOM.	D	H	H1	H2	W
43572	2"	7.6" 193mm	8.3" 210mm	3.0" 75mm	2.0" - 6.3" 50mm - 160mm	9.7" 247mm
43573	3"	7.6" 193mm	8.3" 210mm	3.0" 75mm	2.0" - 6.3" 50mm - 160mm	9.7" 247mm
43574	4"	7.6" 193mm	8.3" 210mm	3.0" 75mm	2.0" - 6.3" 50mm - 160mm	9.7" 247mm

Available with Side Outlet, -SO

12x12 SQUARE ADJUSTABLE TOP, 14" MAXIMUM DEPTH, NO-HUB OUTLET

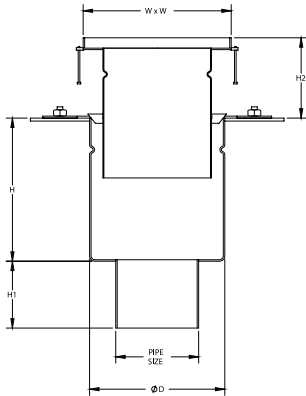
SERIES NUMBER	PIPE SIZE NOM.	D	H	H1	H2	W
43673	3"	10.0" 255mm	8.3" 210mm	3.7" 95mm	2.0" - 6.3" 50mm - 160mm	11.7" 297mm
43674	4"	10.0" 255mm	8.3" 210mm	3.7" 95mm	2.0" - 6.3" 50mm - 160mm	11.7" 297mm
43676	6"	10.0" 255mm	8.3" 210mm	3.7" 95mm	2.0" - 6.3" 50mm - 160mm	11.7" 297mm

Available with Side Outlet, -SO

16x16 SQUARE ADJUSTABLE TOP, 18" MAXIMUM DEPTH, NO-HUB OUTLET

SERIES NUMBER	PIPE SIZE NOM.	D	H	H1	H2	W
43894	4"	13.7" 348mm	12.6" 320mm	3.7" 95mm	2.0" - 6.3" 50mm - 160mm	15.6" 397mm
43896	6"	13.7" 348mm	12.6" 320mm	3.7" 95mm	2.0" - 6.3" 50mm - 160mm	15.6" 397mm
43898	8"	13.7" 348mm	12.6" 320mm	3.7" 95mm	2.0" - 6.3" 50mm - 160mm	15.6" 397mm

304 STAINLESS STEEL & REINFORCED PERFORATED GRATE PROVIDED STANDARD. FOR OPTIONS AND GRATE DETAILS SEE PAGE 20 and 21.



10" ROUND ADJUSTABLE TOP, 14" MAXIMUM DEPTH, NO-HUB OUTLET

SERIES NUMBER	PIPE SIZE NOM.	D	H	H1	H2	Ø
44572	2"	7.6" 193mm	8.3" 210mm	3.0" 75mm	2.0" - 6.3" 50mm - 160mm	10.2" 260mm
44573	3"	7.6" 193mm	8.3" 210mm	3.0" 75mm	2.0" - 6.3" 50mm - 160mm	10.2" 260mm
44574	4"	7.6" 193mm	8.3" 210mm	3.0" 75mm	2.0" - 6.3" 50mm - 160mm	10.2" 260mm

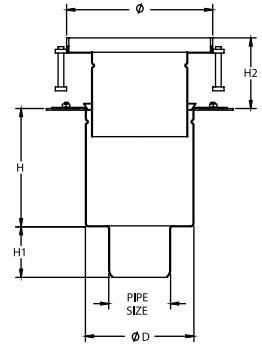
304 STAINLESS STEEL & REINFORCED PERFORATED GRATE PROVIDED.



10" ROUND ADJUSTABLE TOP, 8MM SOLID GAS TIGHT COVER, 14" MAXIMUM DEPTH, NO-HUB OUTLET

SERIES NUMBER	PIPE SIZE NOM.	Cover	D	H	H1	H2	Ø
44572-SK	2"	Key	7.6" 193mm	8.3" 210mm	3.0" 75mm	2.0" - 6.3" 50mm - 160mm	10.2" 260mm
44572-SV	2"	Vacuum Handle	7.6" 193mm	8.3" 210mm	3.0" 75mm	2.0" - 6.3" 50mm - 160mm	10.2" 260mm
44573-SK	3"	Key	7.6" 193mm	8.3" 210mm	3.0" 75mm	2.0" - 6.3" 50mm - 160mm	10.2" 260mm
44573-SV	3"	Vacuum Handle	7.6" 193mm	8.3" 210mm	3.0" 75mm	2.0" - 6.3" 50mm - 160mm	10.2" 260mm
44574-SK	4"	Key	7.6" 193mm	8.3" 210mm	3.0" 75mm	2.0" - 6.3" 50mm - 160mm	10.2" 260mm
44574-SV	4"	Vacuum Handle	7.6" 193mm	8.3" 210mm	3.0" 75mm	2.0" - 6.3" 50mm - 160mm	10.2" 260mm

Available with Side Outlet, -SO
304 STAINLESS STEEL & HEAVY DUTY SOLID GASKETED COVER PROVIDED STANDARD.



STANDARD. FOR OPTIONS AND GRATE DETAILS SEE PAGE 20 and 21.

Stainless Steel RETROFIT Liners

Traditional methods for addressing the concern of corrosion on installed floor sinks and drains often results in the removal of the existing product and replacing it with a more suitable material such as stainless steel to avoid future problems. This method requires the disruption of the surrounding floor area which can be very costly. The Josam Retrofit liner allows facilities to replace their existing floor sinks with a stainless steel product without removing the old ones.

General Features for the Stainless Steel Liner

- Universal design fits most commercially available floor sinks
- Easily installs into existing floor sink
- Provides new waterway and appearance while maintaining the superior qualities of a stainless steel product
- Models for 8", 12" and 16" top sizes available with various depths
- Grates for the heaviest to lightest of loads
- Filter basket and sediment bucket available



EXPLANATION OF PART NUMBERS

First Two Digits	Third Digit	Fourth Digit	Fifth Digit
Product Type	Top Size (Number = ½ Top Size)	Body Depth (Number = ½ Depth)	Outlet Size
45 = Stainless Steel Liner	4 = 8" Top Size 6 = 12" Top Size 8 = 16" Top Size	3 = 6" Depth 4 = 8" Depth 5 = 10" Depth 6 = 12" Depth	2 = 2" 3 = 3" 4 = 4" 6 = 6" 8 = 8"

EXAMPLE: 45 6 4 4

45 = Stainless Steel Liner
 6 = 12" Top Size
 4 = 8" Body Depth
 4 = 4" Outlet

The dimensions inferred by the stainless steel liner part numbers correlate with the actual sink size and not the liner dimensions.

FITS 8x8 SQUARE TOP, 6" DEEP BODY, SLIP-FIT OUTLET

SERIES NUMBER	FITS PIPE SIZE NOM.	D	H	H1	W
45432	2"	4.3" 110mm	5.0" 127mm	4.5" 114mm	8.8" 222mm
45433	3"	4.3" 110mm	5.0" 127mm	4.5" 114mm	8.8" 222mm
45434	4"	4.3" 110mm	5.0" 127mm	4.5" 114mm	8.8" 222mm

FITS 12x12 SQUARE TOP, 6" DEEP BODY, SLIP-FIT OUTLET

SERIES NUMBER	FITS PIPE SIZE NOM.	D	H	H1	W
45632	2"	7.6" 193mm	5.0" 127mm	4.5" 114mm	12.8" 324mm
45633	3"	7.6" 193mm	5.0" 127mm	4.5" 114mm	12.8" 324mm
45634	4"	7.6" 193mm	5.0" 127mm	4.5" 114mm	12.8" 324mm

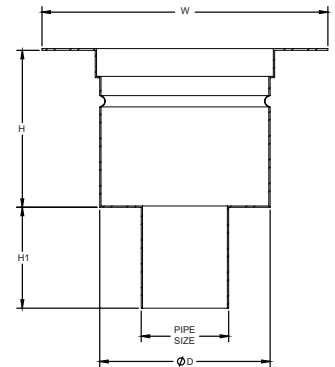


FITS 12x12 SQUARE TOP, 8" DEEP BODY, SLIP-FIT OUTLET

SERIES NUMBER	FITS PIPE SIZE NOM.	D	H	H1	W
45642	2"	7.6" 193mm	7.0" 178mm	4.5" 114mm	12.8" 324mm
45643	3"	7.6" 193mm	7.0" 178mm	4.5" 114mm	12.8" 324mm
45644	4"	7.6" 193mm	7.0" 178mm	4.5" 114mm	12.8" 324mm

FITS 12x12 SQUARE TOP, 10" DEEP BODY, SLIP-FIT OUTLET

SERIES NUMBER	FITS PIPE SIZE NOM.	D	H	H1	W
45652	2"	7.6" 193mm	9.0" 229mm	4.5" 114mm	12.8" 324mm
45653	3"	7.6" 193mm	9.0" 229mm	4.5" 114mm	12.8" 324mm
45654	4"	7.6" 193mm	9.0" 229mm	4.5" 114mm	12.8" 324mm

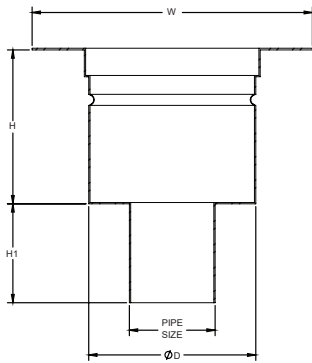


FITS 16x16 SQUARE TOP, 6" DEEP BODY WITH SLIP-FIT OUTLET

SERIES NUMBER	FITS PIPE SIZE NOM.	D	H	H1	W
45832	2"	10.0" 255mm	5.0" 127mm	4.5" 114mm	16.8" 425mm
45833	3"	10.0" 255mm	5.0" 127mm	4.5" 114mm	16.8" 425mm
45834	4"	10.0" 255mm	5.0" 127mm	4.5" 114mm	16.8" 425mm
45836	6"	10.0" 255mm	5.0" 127mm	4.5" 114mm	16.8" 425mm
45838	8"	10.0" 255mm	5.0" 127mm	4.5" 114mm	16.8" 425mm

304 STAINLESS STEEL & PERFORATED GRATE PROVIDED STANDARD FOR OPTIONS AND GRATE DETAILS SEE PAGE 20 AND 21.

FITS 16x16 SQUARE TOP, 12" DEEP BODY WITH SLIP-FIT OUTLET



SERIES NUMBER	FITS PIPE SIZE NOM.	D	H	H1	W
45862	2"	10.0" 255mm	11.0" 279mm	4.5" 114mm	16.8" 425mm
45863	3"	10.0" 255mm	11.0" 279mm	4.5" 114mm	16.8" 425mm
45864	4"	10.0" 255mm	11.0" 279mm	4.5" 114mm	16.8" 425mm
45866	6"	10.0" 255mm	11.0" 279mm	4.5" 114mm	16.8" 425mm
45868	8"	10.0" 255mm	11.0" 279mm	4.5" 114mm	16.8" 425mm

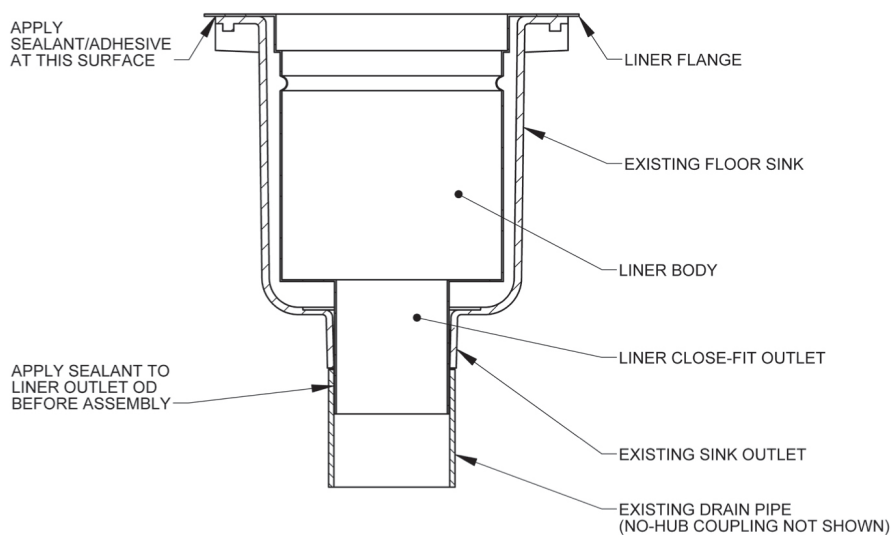
304 STAINLESS STEEL & PERFORATED GRATE PROVIDED STANDARD FOR OPTIONS AND GRATE DETAILS SEE PAGE 20 AND 21.

Stainless Steel RETROFIT Liner Installation Instructions

1. Confirm total height of liner will fit into existing floor drain/sink. Be sure liner outlet does not bottom out on installed drain pipe elbow or other restriction. Cut liner outlet length as needed.
2. For bent edge flange option (-BE), cut groove in floor - and fill with sealant/adhesive just before liner insertion to accept bent edge
3. Clean installed sink flange surface and immediately-surrounding floor area
4. Apply sealant to outside of liner outlet pipe
5. Apply sealant/adhesive to underside of liner flange
6. Insert liner into floor drain/sink
7. Place grate
8. Apply a surface load and protect installation for duration of cure time for sealant/adhesive

Notes:

- Correct sealants and adhesives will vary by installation site. Consult your preferred provider for best sealant/adhesive to use for stainless steel to the specific flooring surface
- Final load-bearing capacity will vary by installation. Add additional support as needed between installed sink and liner for jobsite traffic conditions.



Stainless Steel Cleanouts

Josam Company's stainless steel floor cleanouts offer a clean and attractive solution for access to the waste and pipe system.

Josam Company's standard range of cleanouts includes:

- 6", 8" and 10" round and square tops
- 2" through 8" no-hub outlets for easy connection to existing piping
- Smooth heavy duty gasketed cover
- Concrete anchor tabs



EXPLANATION OF PART NUMBERS

First Two Digits	Third Digit	Fifth Digit
Product Type	Top Size (Number = 1/2 Top Size)	Outlet Size
41 = Non-Adjustable Square Top	3 = 6" Top Size 4 = 8" Top Size 5 = 10" Top Size	2 = 2" 3 = 3" 4 = 4" 6 = 6" 8 = 8"

EXAMPLE: 41 5 0 6

- 41 = Non-Adjustable Square Top
- 5 = 10" Top Size
- 0
- 6 = 6" Outlet

6x6 SQUARE TOP, NO-HUB OUTLET

SERIES NUMBER	PIPE SIZE NOM.	D	H	W
41303	3"	3.3"	6.0"	6.0"
		84mm	150mm	150mm
41304	4"	4.3"	6.0"	6.0"
		110mm	150mm	150mm

8x8 SQUARE TOP, NO-HUB OUTLET

SERIES NUMBER	PIPE SIZE NOM.	D	H	W
41403	3"	3.3"	6.0"	7.9"
		84mm	150mm	200mm
41404	4"	4.3"	6.0"	7.9"
		110mm	150mm	200mm
41406	6"	6.3"	6.0"	7.9"
		160mm	150mm	200mm

10x10 SQUARE TOP, NO-HUB OUTLET

SERIES NUMBER	PIPE SIZE NOM.	D	H	Ø
41504	4"	4.3"	6.0"	9.8"
		110mm	150mm	250mm
41506	6"	6.3"	6.0"	9.8"
		160mm	150mm	250mm
41508	8"	7.9"	6.0"	9.8"
		200mm	150mm	250mm

6" ROUND TOP, NO-HUB OUTLET

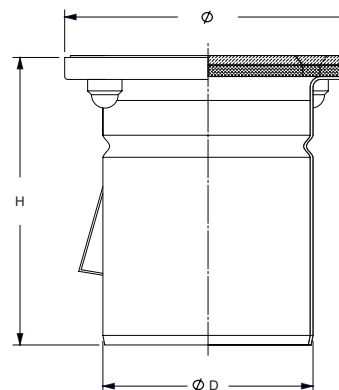
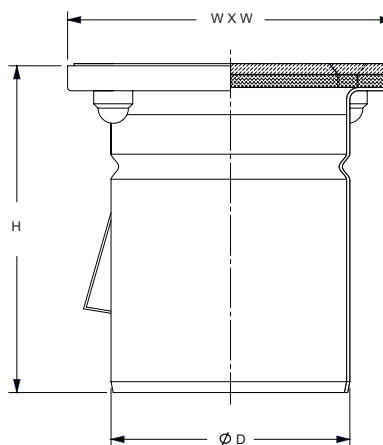
SERIES NUMBER	PIPE SIZE NOM.	D	H	Ø
42302	2"	2.3"	6.0"	6.2"
		58mm	150mm	157mm
42303	3"	3.3"	6.0"	6.2"
		84mm	150mm	157mm
42304	4"	4.3"	6.0"	6.2"
		110mm	150mm	157mm

8" ROUND TOP, NO-HUB OUTLET

SERIES NUMBER	PIPE SIZE NOM.	D	H	Ø
42403	3"	3.3"	6.0"	7.6"
		84mm	150mm	193mm
42404	4"	4.3"	6.0"	7.6"
		110mm	150mm	193mm
42406	6"	6.3"	6.0"	7.6"
		160mm	150mm	193mm

10" ROUND TOP, NO-HUB OUTLET

SERIES NUMBER	PIPE SIZE NOM.	D	H	Ø
42504	4"	4.3"	6.0"	10.0"
		110mm	150mm	255mm
42506	6"	6.3"	6.0"	10.0"
		160mm	150mm	255mm
42508	8"	7.9"	6.0"	10.0"
		200mm	150mm	255mm



304 STAINLESS STEEL & SMOOTH HEAVY DUTY SOLID GASKETED COVER PROVIDED STANDARD. FOR OPTIONS SEE PAGE 20.

Stainless Steel Trench Drains

Josam Company supplies trench drains to suit project requirements. Customized drawings are prepared for each trench drain order.

Standard features of Josam Company trench drain products include:

- 6", 8", 12" and 16" grate widths
- 2" through 8" no-hub outlets for easy connection to existing piping
- Mid-run or end bottom outlets
- Edge backfilling to eliminate voids and provide extra support
- With or without built-in slope
- Leveling feet for ease of height adjustment
- Concrete anchor tabs
- One piece sections available up to 13 feet long. Longer lengths provided with flanged connections.
- Grates for the lightest to heaviest loads



EXPLANATION OF PART NUMBERS FOR TRENCH DRAINS

First Two Digits	Third Digit	Fourth Digit	Fifth Digit
Denoting SS Trench	Top Size (Number = 1/2 Grate Width)	Type of Grate	Outlet Size
46 = Stainless Steel Trench Drain	3 = 6" Wide Grate 4 = 8" Wide Grate 6 = 12" Wide Grate 8 = 16" Wide Grate	1 = Reinforced Perforated 2 = Anti-Slip Mesh 3 = Solid w/ Perimeter Drainage 4 = Ladder	2 = 2" 3 = 3" 4 = 4" 6 = 6" 8 = 8"

EXAMPLE: 46626-12-MRO

- 46 = Stainless Steel Trench Drain
- 6 = 12" Wide Grate
- 2 = Anti-Slip Mesh Grating
- 6 = 6" Outlet
- 12 = 12 Feet in Length
- MRO = Mid-Run Outlet

12" WIDE ELEVATOR TRENCH DRAIN, NO-HUB OUTLET

SERIES NUMBER	PIPE SIZE NOM.	GRATE TYPE	W	W1
46600-ET	4"	Longitudinal Slot	13.75" (350 mm)	12.125" (307 mm)

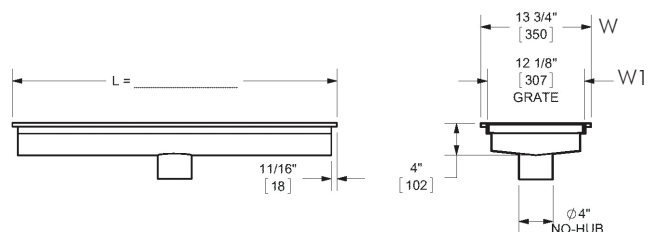
304 Stainless Steel Provided Standard.

Indicate Total Length of Trench After Series Number.

Standard Width Trench Drains Over 13 ft. Long Provided with Flanged Connections.

Option: -WG (Wire Grate)

Grates meet ADA and Heel-Proof Requirements



6" WIDE TRENCH DRAIN, NO-HUB OUTLET

SERIES NUMBER	PIPE SIZE NOM.	SERIES NUMBER	PIPE SIZE NOM.	GRATE TYPE	W	W1
46312	2"	46313	3"	Reinforced Perforated	7.9" (200 mm)	6.3" (160mm)
46322	2"	46323	3"	Anti-Slip Mesh	7.9" (200 mm)	6.3" (160mm)
46332	2"	46333	3"	Solid w/ Perimeter Drainage	7.9" (200 mm)	6.3" (160mm)
46342	2"	46343	3"	Ladder	7.9" (200 mm)	6.3" (160mm)
		46314	4"	Reinforced Perforated	7.9" (200 mm)	6.3" (160mm)
		46324	4"	Anti-Slip Mesh	7.9" (200 mm)	6.3" (160mm)
		46334	4"	Solid w/ Perimeter Drainage	7.9" (200 mm)	6.3" (160mm)
		46344	4"	Ladder	7.9" (200 mm)	6.3" (160mm)

8" WIDE TRENCH DRAIN, NO-HUB OUTLET

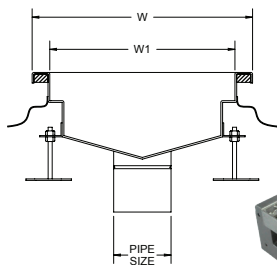
SERIES NUMBER	PIPE SIZE NOM.	SERIES NUMBER	PIPE SIZE NOM.	GRATE TYPE	W	W1
46412	2"	46413	3"	Reinforced Perforated	9.8" (250 mm)	8.3" (210 mm)
46422	2"	46423	3"	Anti-Slip Mesh	9.8" (250 mm)	8.3" (210 mm)
46432	2"	46433	3"	Solid w/ Perimeter Drainage	9.8" (250 mm)	8.3" (210 mm)
46442	2"	46443	3"	Ladder	9.8" (250 mm)	8.3" (210 mm)
		46414	4"	Reinforced Perforated	9.8" (250 mm)	8.3" (210 mm)
		46424	4"	Anti-Slip Mesh	9.8" (250 mm)	8.3" (210 mm)
		46434	4"	Solid w/ Perimeter Drainage	9.8" (250 mm)	8.3" (210 mm)
		46444	4"	Ladder	9.8" (250 mm)	8.3" (210 mm)

12" WIDE TRENCH DRAIN, NO-HUB OUTLET

SERIES NUMBER	PIPE SIZE NOM.	SERIES NUMBER	PIPE SIZE NOM.	GRATE TYPE	W	W1
46612	2"	46613	3"	Reinforced Perforated	13.8" (350 mm)	12.2" (310 mm)
46622	2"	46623	3"	Anti-Slip Mesh	13.8" (350 mm)	12.2" (310 mm)
46632	2"	46633	3"	Solid w/ Perimeter Drainage	13.8" (350 mm)	12.2" (310 mm)
46642	2"	46643	3"	Ladder	13.8" (350 mm)	12.2" (310 mm)
46614	4"	46616	6"	Reinforced Perforated	13.8" (350 mm)	12.2" (310 mm)
46624	4"	46626	6"	Anti-Slip Mesh	13.8" (350 mm)	12.2" (310 mm)
46634	4"	46636	6"	Solid w/ Perimeter Drainage	13.8" (350 mm)	12.2" (310 mm)
46644	4"	46646	6"	Ladder	13.8" (350 mm)	12.2" (310 mm)
		46618	8"	Reinforced Perforated	13.8" (350 mm)	12.2" (310 mm)
		46628	8"	Anti-Slip Mesh	13.8" (350 mm)	12.2" (310 mm)
		46638	8"	Solid w/ Perimeter Drainage	13.8" (350 mm)	12.2" (310 mm)
		46648	8"	Ladder	13.8" (350 mm)	12.2" (310 mm)

16" WIDE TRENCH DRAIN, NO-HUB OUTLET

SERIES NUMBER	PIPE SIZE NOM.	SERIES NUMBER	PIPE SIZE NOM.	GRATE TYPE	W	W1
46812	2"	46813	3"	Reinforced Perforated	17.7" (450 mm)	16.1" (410 mm)
46822	2"	46823	3"	Anti-Slip Mesh	17.7" (450 mm)	16.1" (410 mm)
46832	2"	46833	3"	Solid w/ Perimeter Drainage	17.7" (450 mm)	16.1" (410 mm)
46842	2"	46843	3"	Ladder	17.7" (450 mm)	16.1" (410 mm)
46814	4"	46816	6"	Reinforced Perforated	17.7" (450 mm)	16.1" (410 mm)
46824	4"	46826	6"	Anti-Slip Mesh	17.7" (450 mm)	16.1" (410 mm)
46834	4"	46836	6"	Solid w/ Perimeter Drainage	17.7" (450 mm)	16.1" (410 mm)
46844	4"	46846	6"	Ladder	17.7" (450 mm)	16.1" (410 mm)
		46818	8"	Reinforced Perforated	17.7" (450 mm)	16.1" (410 mm)
		46828	8"	Anti-Slip Mesh	17.7" (450 mm)	16.1" (410 mm)
		46838	8"	Solid w/ Perimeter Drainage	17.7" (450 mm)	16.1" (410 mm)
		46848	8"	Ladder	17.7" (450 mm)	16.1" (410 mm)



304 Stainless Steel Provided Standard.

Indicate Total Length of Trench After Series Number.

Standard Width Trench Drains Over 13 ft. Long Provided with Flanged Connections.

For Options and Grate Details See Page 20 and 21.

Additional Trench Drain Outler Sizes Available Upon Request.

Stainless Steel Slot and Mini Channels

Josam stainless steel slot and mini channels, ideal for isolating areas between rooms or around equipment, minimize floor slope requirements and provide flexibility in the plumbing design.

Standard features of Josam Company slot and mini channels include:

- 5/16", 3/4" and 3" widths
- 2" through 4" no-hub outlets for easy connection to existing piping
- Mid-run or end bottom outlets
- Edge backfilling provided in slot channels to eliminate voids and provide extra support
- Leveling feet for ease of height adjustment
- Concrete anchor tabs
- One piece sections available up to 13 feet long. Longer lengths provided with flanged connections
- Grates for the lightest to heaviest loads

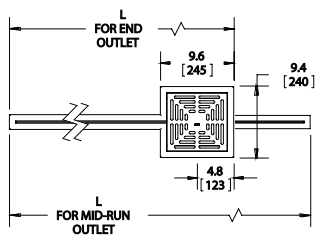


EXPLANATION OF PART NUMBERS FOR SLOT AND MINI CHANNELS

First Two Digits	Third Digit	Fourth Digit	Fifth Digit
Drain Type	Width	Type of Grate	Outlet Size
47 = Slot/Mini Channel	1 = 5/16" Width 2 = 3/4" Width 3 = 3" Width	1 = Reinforced Perforated 2 = Anti-Slip Mesh 3 = Solid w/ Perimeter Drainage 4 = Ladder	2 = 2" 3 = 3" 4 = 4"

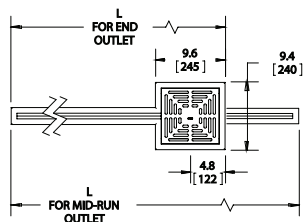
EXAMPLE: 47 2 4 4 - 10 - EBO

- 47 = Slot/Mini Channel
- 2 = 3/4" Width
- 4 = Ladder Grating
- 4 = 4" Outlet
- 10 = 10 feet in Length
- EBO = End Bottom Outlet



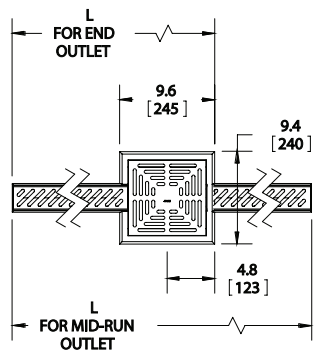
HEEL-PROOF STAINLESS STEEL SLOT CHANNEL (5/16")

SERIES NUMBER	PIPE SIZE NOM.	OUTLET BOX GRATE TYPE
47112	2"	Reinforced Perforated
47122	2"	Anti-Slip Mesh
47132	2"	Solid w/ Perimeter Drainage
47142	2"	Ladder
47113	3"	Reinforced Perforated
47123	3"	Anti-Slip Mesh
47133	3"	Solid w/ Perimeter Drainage
47143	3"	Ladder
47114	4"	Reinforced Perforated
47124	4"	Anti-Slip Mesh
47134	4"	Solid w/ Perimeter Drainage
47144	4"	Ladder



STANDARD STAINLESS STEEL SLOT CHANNEL (3/4")

SERIES NUMBER	PIPE SIZE NOM.	OUTLET BOX GRATE TYPE
47212	2"	Reinforced Perforated
47222	2"	Anti-Slip Mesh
47232	2"	Solid w/ Perimeter Drainage
47242	2"	Ladder
47213	3"	Reinforced Perforated
47223	3"	Anti-Slip Mesh
47233	3"	Solid w/ Perimeter Drainage
47243	3"	Ladder
47214	4"	Reinforced Perforated
47224	4"	Anti-Slip Mesh
47234	4"	Solid w/ Perimeter Drainage
47244	4"	Ladder



3" WIDE MINI STAINLESS STEEL CHANNEL AND GRATING FOR USE WITH AN OUTLET BOX

SERIES NUMBER	PIPE SIZE NOM.	OUTLET BOX GRATE TYPE
47312	2"	Reinforced Perforated
47322	2"	Anti-Slip Mesh
47332	2"	Solid w/ Perimeter Drainage
47342	2"	Ladder
47313	3"	Reinforced Perforated
47323	3"	Anti-Slip Mesh
47333	3"	Solid w/ Perimeter Drainage
47343	3"	Ladder
47314	4"	Reinforced Perforated
47324	4"	Anti-Slip Mesh
47334	4"	Solid w/ Perimeter Drainage
47344	4"	Ladder

304 STAINLESS STEEL PROVIDED STANDARD. CHANNELS OVER 13 FEET LONG PROVIDED WITH FLANGED CONNECTIONS. FOR OPTIONS SEE PAGE 20 AND 21.

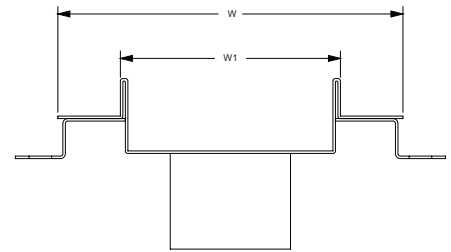


Stainless Steel Shower Channels

Josam Company's stainless steel shower channels for institutional and residential showers offer a low profile drain solution with a stylish appearance. The linear design allows level entry to the shower area for wheel chair access. The channel can also be located against a wall for a clean out-of-the-way drain solution. Custom solutions are available to meet most design requirements.

Josam Company's standard range of shower channels includes:

- 2" no-hub outlets for easy connection to existing piping
- 6 standard grate designs
- Leveling feet for ease of height adjustment
- Concrete anchor tabs



3.5" SHOWER CHANNEL, NO-HUB OUTLET

SERIES NUMBER	PIPE SIZE NOM.	GRATE TYPE	W	W1
46212	2"	BALENA	5.4" 136mm	3.5" 88mm
46222	2"	SPIGOLA	5.4" 136mm	3.5" 88mm
46232	2"	VIPERA	5.4" 136mm	3.5" 88mm
46242	2"	MURENA	5.4" 136mm	3.5" 88mm
46252	2"	GOCCIA	5.4" 136mm	3.5" 88mm
46262	2"	PIETRA	5.4" 136mm	3.5" 88mm

FOR OPTIONS SEE PAGE 20.
INDICATE TOTAL LENGTH OF CHANNEL AFTER SERIES NUMBER

FLOOR DRAIN OPTIONS

SUFFIX	
-3Q	3/4 Reinforced Perforated Grate
-HG	1/2 Reinforced Perforated Grate
-NG	No Grate
-MG	Anti-Slip Mesh Grate (Std on Round Drains, Not Avail. on 6" Sq.)
-SG	Solid Grate w/ Perimeter Drainage (Not Avail. on 6" Sq.)
-LG	Ladder Grate
-DB	Dome Bottom Strainer
-FB	Filter Basket
-SB	Solid Bucket
-VP	Secured Grate
-FC	Flange and Clamp (One Part Drains Only)
-50	1/2" Primer Tap
-SO	Side Outlet (Refer to drain series number for availability.)
-T	Threaded Outlet
-BW	Buttweld Outlet (Specify Schedule)
-OPH	Outlet Plug with Handle (2", 3", or 4")
-PFO**	Push-Fit Outlet
-316	316L Stainless Steel

RETROFIT LINER OPTIONS

SUFFIX	
-3Q	3/4 Reinforced Perforated Grate
-HG	1/2 Reinforced Perforated Grate
-NG	No Grate
-MG	Anti-Slip Mesh Grate
-SG	Solid Grate w/ Perimeter Drainage
-LG	Ladder Grate
-VP	Secured Grate
-BE	Bent Edge on Flange
-FB	Filter Basket
-SB	Solid Bucket
-316	316L Stainless Steel

SHOWER CHANNELS OPTIONS

SUFFIX	
-PF	Polished Finish
-MF	Matte/Brushed Finish
-FB	Flat Outlet Strainer
-BW	Buttweld Outlet
-PFO**	Push-Fit Outlet
-FC	Flange Clamp
-FCO	Flange Clamp Outlet
-OPH	Outlet Plug with Handle (2", 3", or 4")
-45	45 Degree Angle Modification
-90	90 Degree Angle Modification
-316	316L Stainless Steel

TRENCH DRAIN OPTIONS

SUFFIX	
-FB	Filter Basket
-SB	Solid Bucket
-VP	Secured Grate
-LT*	Two Removable Screens & Filter Basket
-BW	Buttweld Outlet (Specify Schedule)
-PFO**	Push-Fit Outlet
-MRO	Mid-Run Outlet
-EBO	End Bottom Outlet
-T	Threaded Outlet
-OPH	Outlet Plug with Handle (2", 3", or 4")
-316	316L Stainless Steel

CLEANOUT OPTIONS

SUFFIX	
-DP	Diamond Plate Cover
-IP	Gasketed Internal Plug
-BW	Buttweld Outlet (Specify Schedule)
-OPH	Outlet Plug with Handle (2", 3", or 4")
-PFO**	Push-Fit Outlet

SLOT CHANNEL OUTLET BOX OPTIONS

SUFFIX	
-FB	Filter Basket
-SB	Solid Bucket
-VP	Secured Grate
-50	1/2" Primer Tap
-SO	Side Outlet
-T	Threaded Outlet
-BW	Buttweld Outlet
-PFO**	Push-Fit Outlet
-MRO	Mid-Run Outlet Box
-EBO	End Bottom Outlet Box
-OPH	Outlet Plug with Handle (2", 3", or 4")
-316	316L Stainless Steel

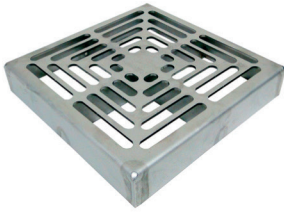
*For 46600 Series

**When ordering grates for trench drains see explanation of trench drain part numbers on page 16.

**Note: PFO is for connections to Josam's Stainless Steel Push-Fit Drainage System

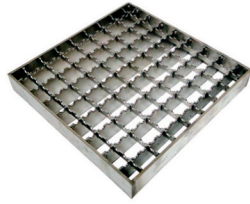
GRATES

Reinforced Perforated



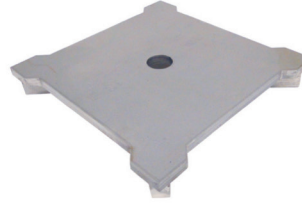
STANDARD ON SQUARE DRAIN

Anti-Slip Mesh



-MG

Solid with
Perimeter Drain



-SG

Ladder Type



-LG



STANDARD ON ROUND DRAIN



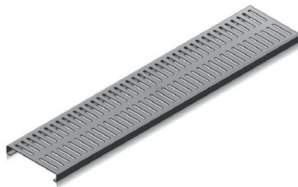
-MG



-SG



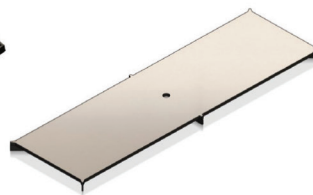
-LG



STANDARD ON TRENCH DRAIN



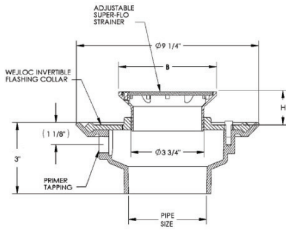
-MG



-SG



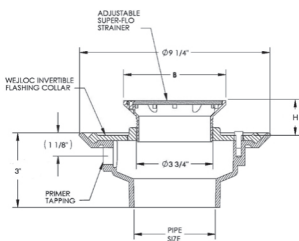
-LG



ROUND ADJUSTABLE STRAINER, THREADED OUTLET

SERIES NUMBER	PIPE SIZE NOM.	B	H
30002-5A-T-SS	2"	5"	0.75" - 2.1"
30003-5A-T-SS	3"	5"	0.75" - 2.1"
30004-5A-T-SS	4"	5"	0.75" - 2.1"
30002-6A-T-SS	2"	6"	1.3" - 2.4"
30003-6A-T-SS	3"	6"	1.3" - 2.4"
30004-6A-T-SS	4"	6"	1.3" - 2.4"
30002-7A-T-SS	2"	7"	1.1" - 2.9"
30003-7A-T-SS	3"	7"	1.1" - 2.9"
30004-7A-T-SS	4"	7"	1.1" - 2.9"
30002-8A-T-SS	2"	8"	1.6" - 2.6"
30003-8A-T-SS	3"	8"	1.6" - 2.6"
30004-8A-T-SS	4"	8"	1.6" - 2.6"

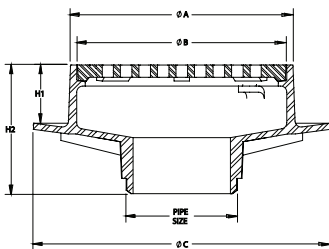
SQUARE ADJUSTABLE STRAINER, THREADED OUTLET



SERIES NUMBER	PIPE SIZE NOM.	B	H
30002-5S-T-SS	2"	5"	0.75" - 2.1"
30003-5S-T-SS	3"	5"	0.75" - 2.1"
30004-5S-T-SS	4"	5"	0.75" - 2.1"
30002-6S-T-SS	2"	6"	1.3" - 2.4"
30003-6S-T-SS	3"	6"	1.3" - 2.4"
30004-6S-T-SS	4"	6"	1.3" - 2.4"
30002-8S-T-SS	2"	8"	1.6" - 2.6"
30003-8S-T-SS	3"	8"	1.6" - 2.6"
30004-8S-T-SS	4"	8"	1.6" - 2.6"

30000-SS OPTIONS

SUFFIX	DESCRIPTION
-21	4" Diameter Funnel
-22	6" Diameter Funnel
-50	1/2" Primer Tap Connection
-80	Stainless Steel Perforated Basket
-VP	Secured Grate



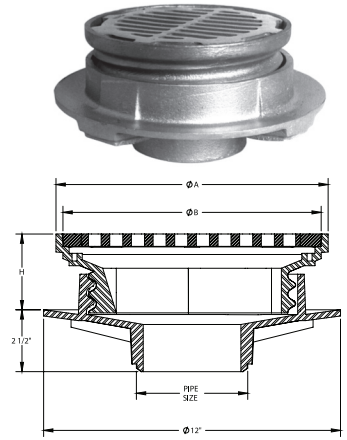
9" & 12" ROUND TOP, SCH 40 BUTT WELD OUTLET

SERIES NUMBER	PIPE SIZE NOM.	A	B	C	H1	H2
32102-SS	2"	9"	8.4"	12.0"	2.4"	5.3"
32103-SS	3"	9"	8.4"	12.0"	2.4"	5.3"
32104-SS	4"	9"	8.4"	12.0"	2.4"	5.3"
32203-SS	3"	12.3"	11.0"	17.0"	0.38"	6.0"
32204-SS	4"	12.3"	11.0"	17.0"	0.38"	6.0"
32206-SS	6"	12.3"	11.0"	17.0"	0.38"	6.0"



9" & 12" ROUND ADJUSTABLE TOP, SCH 40 BUTT WELD OUTLET

SERIES NUMBER	PIPE SIZE NOM.	A	B	H
32102-AE-SS	2"	9.0"	8.4"	2.4" - 3.5"
32103-AE-SS	3"	9.0"	8.4"	2.4" - 3.5"
32104-AE-SS	4"	9.0"	8.4"	2.4" - 3.5"
32203-AE-SS	3"	11.0"	10.4"	3.0" - 4.1"
32204-AE-SS	4"	11.0"	10.4"	3.0" - 4.1"

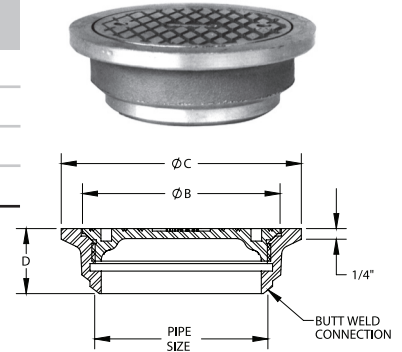


32100-SS/32200-SS AND 32100-AE-SS/32200-AE-SS OPTIONS

SUFFIX	DESCRIPTION
-8	Solid Cover
-9	Stainless Steel Mesh on Underside of Grate
-21	4" Diameter Funnel
-22	6" Diameter Funnel
-25	Stainless Steel Recessed Closure Plug
-26	ABS Recessed Closure Plug
-34	"T" Handle for Recessed Plug
-50	1/2" Primer Tap
-61	Flashing Clamp Device
-69	Schedule 10 Butt Weld Outlet

ROUND SPANNER TYPE CLEANOUT, SCH 40 BUTT WELD OUTLET

SERIES NUMBER	PIPE SIZE NOM.	B	C	D
56672-SS	2"	2.9"	3.8"	1.5"
56673-SS	3"	4.0"	4.9"	1.5"
56674-SS	4"	5.0"	6.0"	1.5"
56676-SS	6"	7.3"	8.4"	1.5"



56670-SS OPTIONS

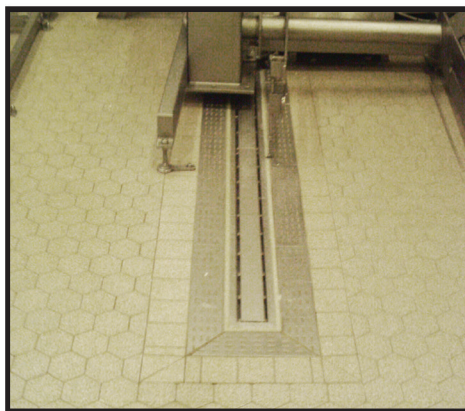
SUFFIX	DESCRIPTION
-45	Spanner Wrench
-69	Schedule 10 Butt Weld Outlet

THE POSSIBILITIES ARE ENDLESS!

We welcome the opportunity to assist clients in designing products that offer cost effective solutions.

If you require assistance in the design stage of your project, please contact Josam Company's technical department or your local Josam Representative.

INSTALLATION EXAMPLES





www.josam.com

Executive Office

2501 S Front Street
Philadelphia, PA 19148
Phone: 215.339.5370
Fax: 800.962.3312

Corporate Office

525 West Highway 20
Michigan City, IN 46360
Phone: 800.365.6726
Fax: 800.627.0008