

Submittal Sheet

Job Name _____	Contractor _____
Location _____	Approval _____
Engineer _____	Date _____
Approval _____	Rep _____



Series 1133E and 1133ES

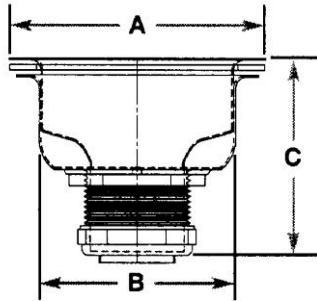
Deep Locking Cup SS Strainer with Spring Post Basket

Features

- 304 stainless steel body with a polished flange
- Bright stainless steel basket with CP knob
- SS spring finger post on basket
- Triple seal stopper
- Die cast slip nut
- Mounting washer 1/4" thick
- Manufactured to the highest quality standard.



1133E



1133ES

DIMENSIONS								
JB No.	Description	A	B	C	Weight oz.	Case Qty	✓ Submit	
1133E	Deep Locking Cup Strainer with spring finger basket	4 1/2"	3 3/8"	3 1/2"	12.3	24		
1133EB	with brass nuts	4 1/2"	3 3/8"	3 1/2"	12.3	25		
1133E424	with 4" CP tailpiece	4 1/2"	3 3/8"	7 1/2"	14.1	10		
1133ES	Deep Locking Cup Strainer Short Shank	4 1/2"	3 3/8"	3"	12	25		
1133ES424	with 4" CP tailpiece	4 1/2"	3 3/8"	7"	13.8	10		

JB Products specifications and dimensions are approximate and are provided for reference only. If precise measurements are required, please contact us with your specific request. JB Products reserves the right to change or modify product design, construction, specifications or material without prior notice and without incurring any obligation to make such changes and modifications on JB Products previously sold.