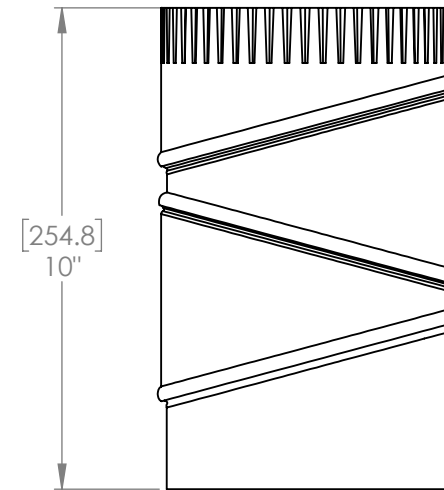
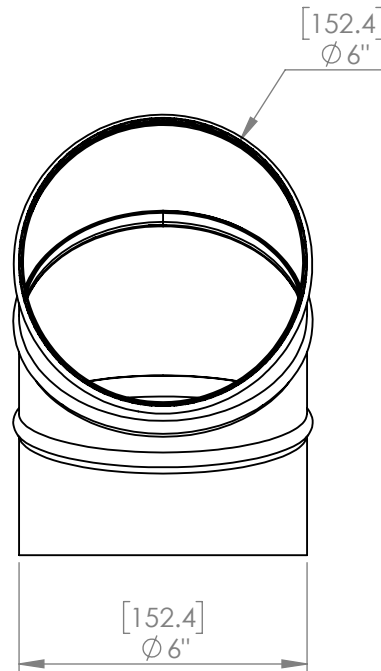


90 DEG POSITION



180 DEG POSITION

FOR REFERENCE ONLY

REVISION	DESCRIPTION :
00	6in x 90deg Adjustable Eblow, 30ga Galvanized Steel

PROPRIETARY AND CONFIDENTIAL
THE INFORMATION CONTAINED IN THIS DRAWING IS THE SOLE PROPERTY OF Imperial Manufacturing Group. ANY REPRODUCTION IN PART OR AS A WHOLE WITHOUT THE WRITTEN PERMISSION OF Imperial Manufacturing Group IS PROHIBITED.

	NAME	DATE	TITLE:	
DRAWN	ER	2018-05-17	6in x 90deg Adjustable Elbow	
UNLESS OTHERWISE SPECIFIED: DIMENSIONS ARE IN MM TOLERANCES: +/- .588mm +/- 1/16"			MATERIAL: Galvanized Steel	FINISH: Galvanized
SIZE A		PART NO. GV0296		
SCALE: 1:4		DO NOT SCALE DRAWING	SHEET 1 OF 1	

