

Line Volt Thermostats

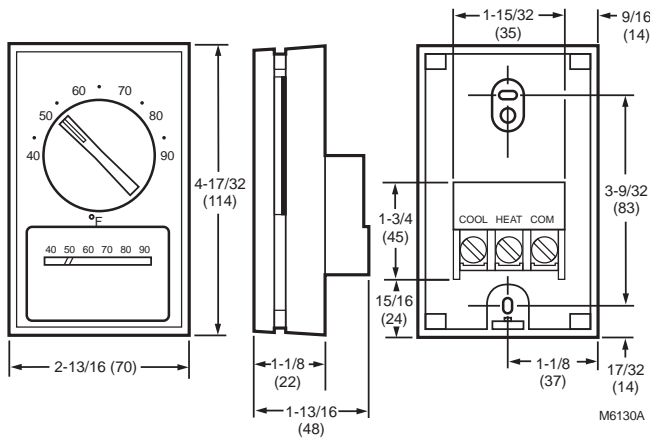
T451; T651 Light and Medium Duty Line Voltage Thermostat



Light and Medium Duty Line Voltage Thermostats control line voltage valves, motors, contractors, electric heat, elements, duct furnaces, and fan coil units in heating/cooling systems.

- Automatic cooling and heating anticipation
- Mount on standard vertical or horizontal outlet box

Dimensions in inches (millimeters)



Application: T451-Heating; T651-Heating and cooling

Dimensions, Approximate: 4 1/2 in. high x 2 15/16 in. wide x 1 1/2 in. deep (switches and wiring terminals protrude into outlet box 3/4 in.) (115 mm high x 75 mm wide x 39 mm deep (switches and wiring terminals protrude into outlet box 19 mm))

Electrical Ratings:

- 22 A @ 120 - 240 Vac Resistive
- 19 A @ 277 Vac Resistive
- 9.8 FLA / 58.8 ALR @ 120 Vac
- 5.6 FLA / 33.6 ALR @ 208 Vac
- 4.9 FLA / 29.4 ALR @ 240 Vac
- 4.2 FLA / 25.2 ALR @ 277 Vac

Electrical Connections: Flylead

Voltage: 120 Vac - 227 Vac

Frequency: 50 Hz; 60 Hz

Sensor Element: Vapor filled dual diaphragm

Color: Champagne gold face-plate with beige cover

Approvals

Canadian Standards Association: CSA Certified, File No. LR1322

Underwriters Laboratories, Inc: Listed: File No. E4436, Guide No. XAPX

Accessories:

TG511A1000-Medium Universal Thermostat Guard with clear cover and base, and opaque wallplate Fits T822, T834, T8034, T841, T874 with Q674, WR1F46, and others

TG511D1004-Medium Universal Thermostat Guard with Beige painted steel cover, opaque ring base and wallplate Fits T822, T834, T8034, T841, T874 with Q674, and others

Product Number	Setting Temperature Range		Differential Temperature		Switch Position	Switching Action	Includes
	(F)	(C)	(F)	(C)	System		
T451A3005/U	44 F to 86 F	—	2 F	—	—	SPST- breaks on temperature rise	Vertical scaleplate with thermometer, range stops and locking cover screws, wall plate, high accuracy Dual Diaphragm sensor
T451B3004/U	50 F to 86 F	—	2 F	—	—	SPST- breaks on temperature rise; with positive off	Vertical scaleplate with thermometer and high accuracy Dual Diaphragm sensor
• T651A3018/U	44 F to 86 F	—	2 F	—	heating and cooling	SPDT - breaks heating and makes cooling on temperature rise	Vertical scaleplate with thermometer, horizontal scaleplate with no thermometer, range stops and locking screws, wall plate, and high accuracy Dual Diaphragm sensor
T651A3026/U	—	7 C to 28 C	—	1 C	heating and cooling	SPDT - breaks heating and makes cooling on temperature rise	Vertical scaleplate with thermometer, range stops and locking screws, wall plate, high accuracy Dual Diaphragm sensor

* TRADELINE models • SUPER TRADELINE models