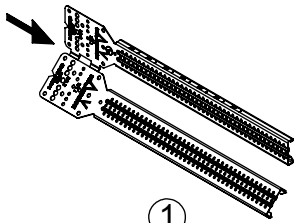
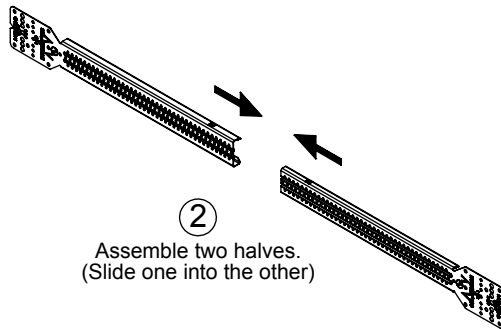


Installation Instructions

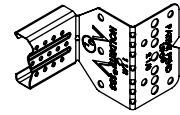
HOLDRITE Stout Bracket® #SB3 & #SB4



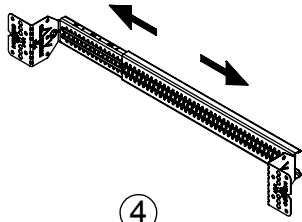
①
To field assemble:
Separate both halves by bending
at the joining tabs several times.



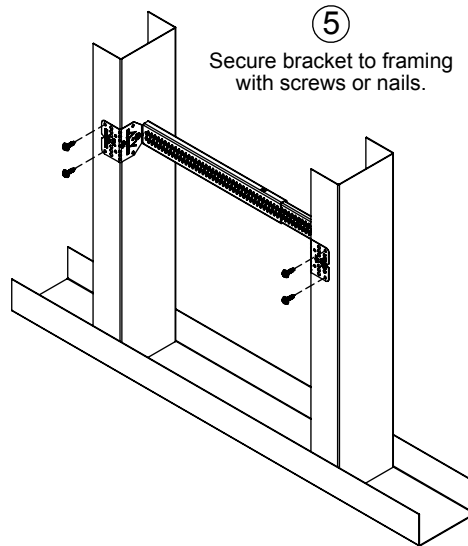
②
Assemble two halves.
(Slide one into the other)



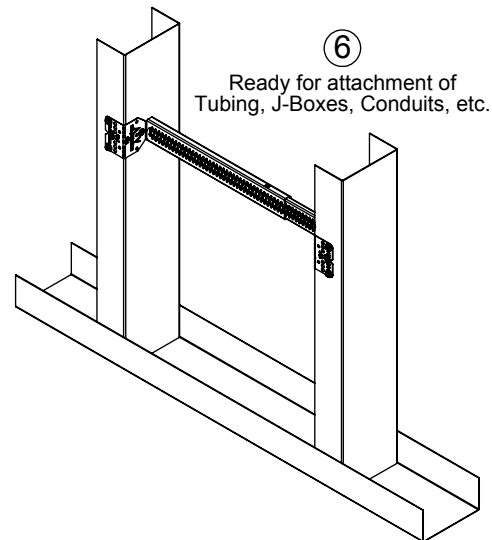
③
To recess inside stud bay:
Bend ends of bracket as shown.
(1-1/2" and 2-1/8", depths are
indicated on bracket tabs)



④
Telescope bracket to the desired
length for the wall stud bay or joist space.



⑤
Secure bracket to framing
with screws or nails.



⑥
Ready for attachment of
Tubing, J-Boxes, Conduits, etc.

Model #	Description	Stud Bay Spacing	Ideal Recess Depths
SB3	Galvanized Steel Telescoping Bracket	10-1/4" to 16"	1-1/2" or 2-1/8"
SB4	Galvanized Steel Telescoping Bracket	14.5" to 24"	1-1/2" or 2-1/8"

WARNING:

- The buyer and/or installer is responsible for:
 - Application in conformance to local codes.
 - The integrity of structures to which the fasteners is attached, including their capability of safety accepting the load imposed, as evaluated by a qualified engineer. (Product load ratings are shown on the product's Specification Sheet at WWW.HOLDRITE.COM)
 - Using appropriate industry standard hardware such as sheet metal screws or dry wall screws. (Avoid using self-drilling screws tips, which remove excessive base materials)
- Failure to observe these Installation Instructions may cause product malfunction resulting in property damage or bodily injury.

SAFETY INSTRUCTIONS: All safety regulations required by the job site must be observed. Special attention should be given to the following instructions. While working on a job site:

- Wear safety glasses with side shields
- Wear gloves to avoid splinters and cuts.
- Be sure power tools are properly grounded.

HOLDRITE®
CONVERTING MAKESHIFT METHODS INTO ENGINEERED SOLUTIONSSM