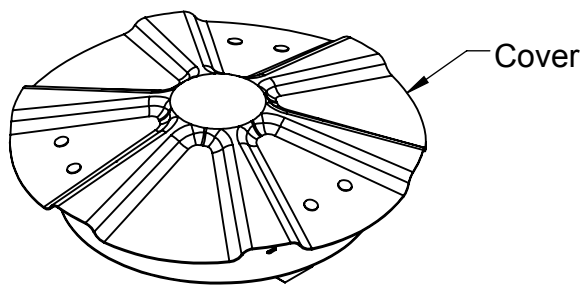
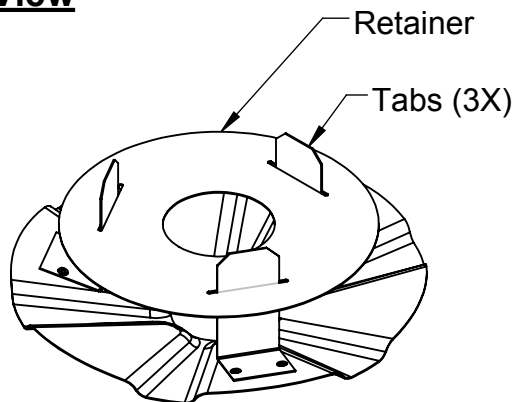


PRODUCT SPECIFICATION DRAWING

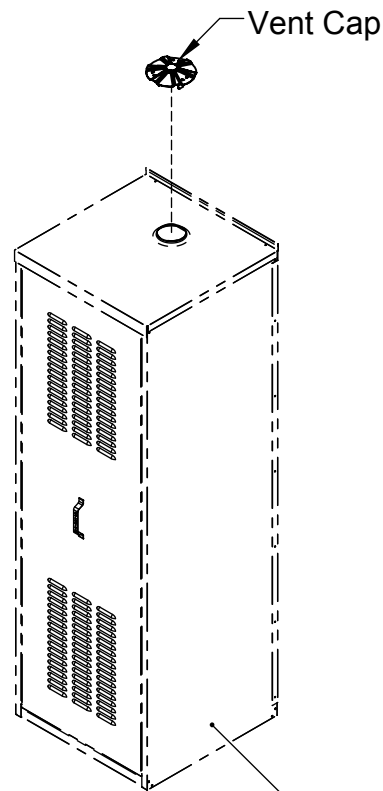
HOLDRITE® QuickShed #QS-EVC Vent Cap



Top View



Bottom View



Water Heater Enclosure
Available in 24", 26" & 30"
(Shown for reference ONLY)

THE HOLDRITE® QuickShed Enclosure Vent Cap easily installs onto any QuickShed Model. For use with electric water heaters, when no vent pipe will exit the roof of the shed.

Product Information:

- Material: Cover, Retainer & Tabs: 27GA, Galvanized, CRS
- See Installation Instructions for assembly

THIS INFORMATION IS PROPRIETARY TO HOLDRITE AND IS SUBJECT TO CHANGE WITHOUT NOTICE. IT MAY NOT BE REPRODUCED IN PART OR WHOLE WITHOUT WRITTEN AUTHORIZATION.



Product Submittal	
Job Name:	
Date:	
Part Number:	Qty:
Architect / Owner:	
Contractor:	
Notes:	