

INSTALLATION INSTRUCTIONS

Where it is desired to place a rain/weather cover over the top vent opening on a QUICK SHED Enclosure (for example, when using a non-vented electric appliance), install the Vent Cap per Steps 1-3 below. It only takes a few minutes for one person to mount the Vent Cap, but you may find it easier if done before assembling the QUICK SHED Enclosure and installing the water heater unit.

The Vent Cap design allows air circulation and prevents excess heat accumulation, while keeping most rain and weather out.

TOOLS Recommended

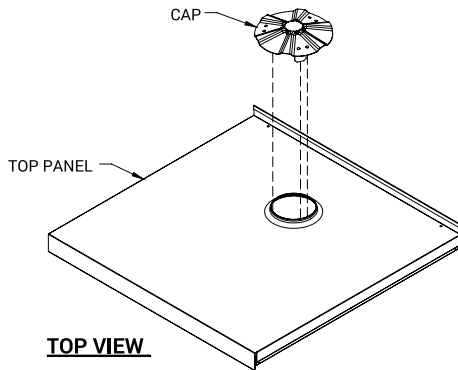
Pliers

STEP 1

Install the upper section of the Vent Cap

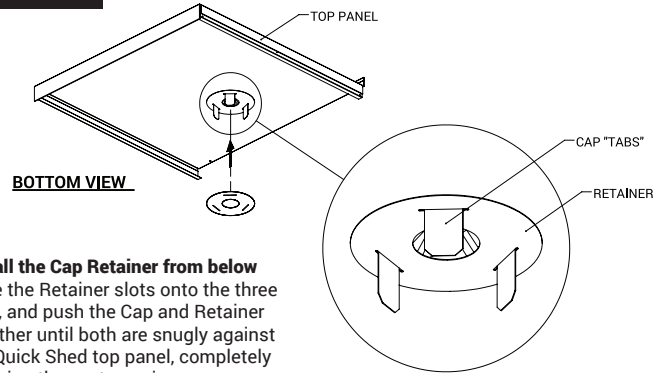
Insert the three tabs of the Vent Cap through the opening in the top panel of the Quick Shed, from the outside. Push the Cap fully down until the round hood is against the top panel.

NOTE: PUSH CAP DOWNWARDS UNTIL FLUSH WITH TOP PANEL.



STEP 2

Install the Cap Retainer from below
Slide the Retainer slots onto the three tabs, and push the Cap and Retainer together until both are snugly against the Quick Shed top panel, completely covering the vent opening.



STEP 3

Secure the Cap in place

Pull down slightly on the first tab of the Vent Cap, while holding the Retainer up against the Enclosure Top Panel, and bend the tab sharply where it comes out of the slot, away from the center of the Retainer around 45° (Fig 1). Repeat for the other tabs, making sure the Cap remains fully down against the surface of the Quick Shed top panel. Now go back and, using the pliers, complete the three sharp bends so the ends of the tabs lie flat against the retainer or are slightly curved under, holding the Vent Cap in place (Fig 2).

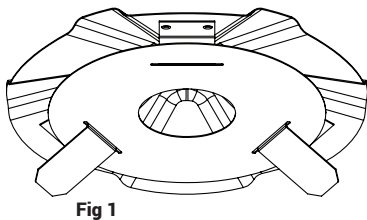


Fig 1

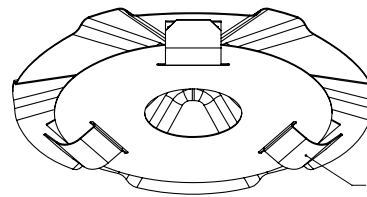


Fig 2

BOTTOM VIEW
TOP PANEL NOT SHOWN FOR CLARITY

BEND CAP "TABS" AGAIN, SLIGHTLY CURVE, TOUCHING THE RETAINER AT THE END OF EACH TAB, THREE PLACES.



HOLDRITE® CARRIES A FULL LINE OF WATER HEATER ACCESSORIES!

HOLDRITE carries water heater connectors, water heater restraints, water heater drain pans and equipment platforms.

Learn more: www.HOLDRITE.com/products/water-heater-accessories/