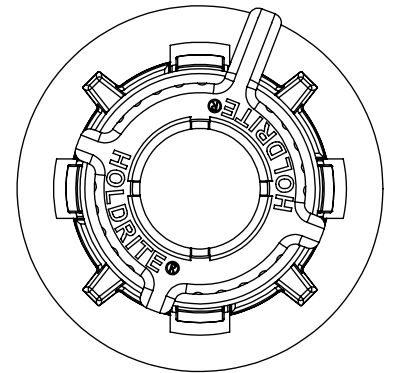
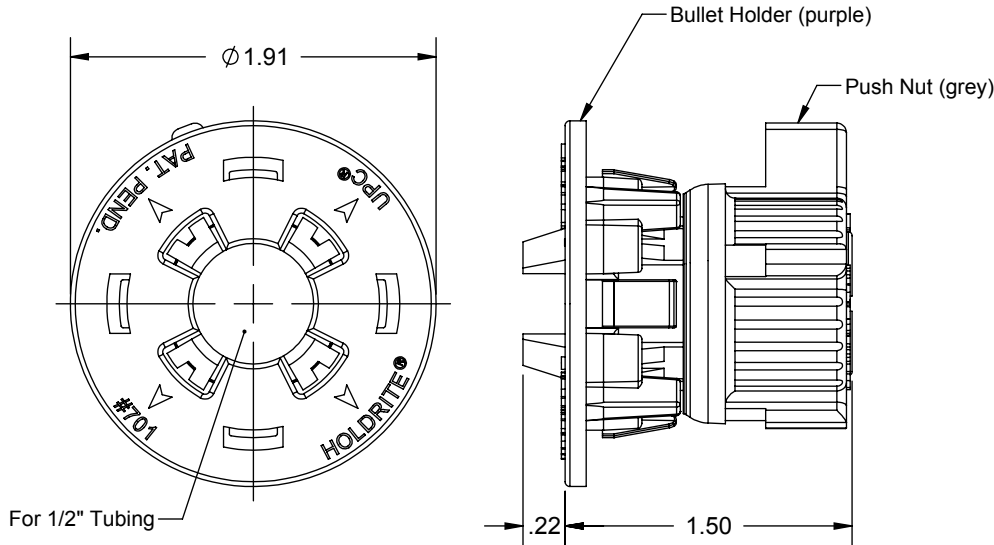
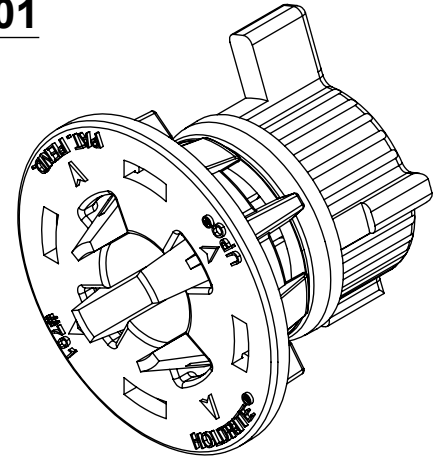


PRODUCT SPECIFICATION DRAWING HOLDRITE® LOCK-n-LOAD™ #701



The HOLDRITE® LOCK-n-LOAD™ #701 is a clamp that mounts into our #103, #709, #110-R or #721 Series Bracket. This clamp requires no hardware to install and is designed to firmly grip fixture stub-outs such as bullets or similar 1/2" CTS tubing. The HOLDRITE LOCK-n-LOAD #701 is for use with PEXRITE Brackets only.

Product Information:

- Material: Nylon
- Color: Purple (Bullet Holder), Grey (Push Nut)
- Temperature range: -10°F to +140°F (tentative)
- Load rating: 25 pounds
- UPC / IPC / IAPMO listed



THIS INFORMATION IS PROPRIETARY TO HOLDRITE AND IS SUBJECT TO CHANGE WITHOUT NOTICE. IT MAY NOT BE REPRODUCED IN PART OR WHOLE WITHOUT WRITTEN AUTHORIZATION.



CONVERTING MAKESHIFT METHODS INTO ENGINEERED SOLUTIONSSM
800-321-0316 OR 760-744-6944 / FAX: 760-744-0507 / WWW.HOLDRITE.COM
spec_701_Rev1

Product Submittal	
Job Name:	
Date:	
Part Number:	Qty:
Architect / Owner:	
Contractor:	
Notes:	