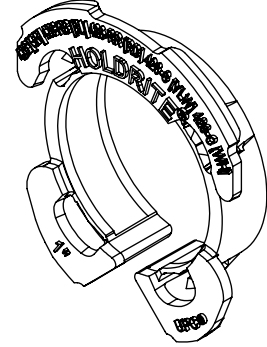
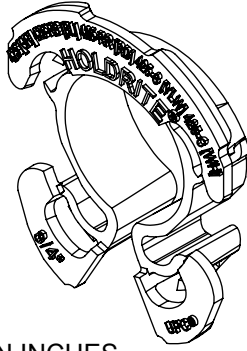
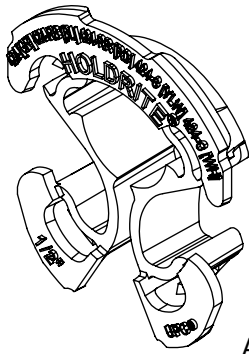
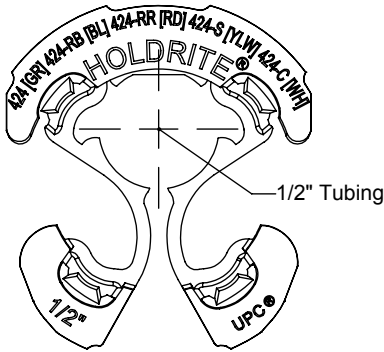
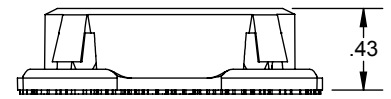
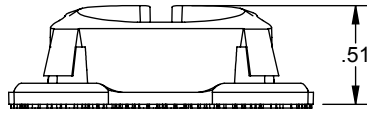
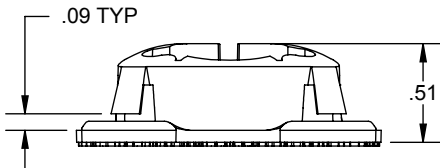


# PRODUCT SPECIFICATION DRAWING

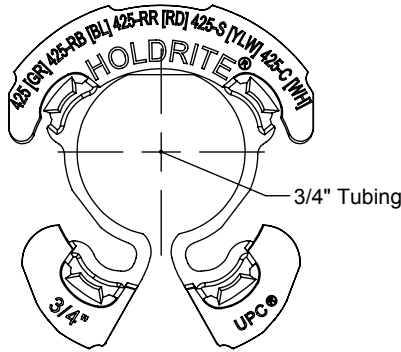
## HOLDRITE® FLAME FIGHTER™ #424-S, #425-S & #426-S Inserts (25/50 Plenum Rated)



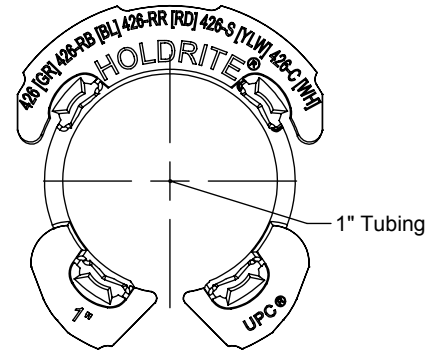
ALL DIMENSIONS IN INCHES



**#424-S**



**#425-S**



**#426-S**

For used with 1-11/32" or 1-3/8" round cut-outs in 14 to 25 gage sheet metal. Ideal for isolation of Copper, PEX or CPVC tubing. Material meets ASTM E-84 25/50 and UL94V-0 fire rating.

### Product Information:

- Material: Kynar Flex, Yellow, UL94V-0
- Temperature range: -20 °F to 200 °F
- Meets ASTM E-84 25/50 and UL94V-0
- UPC / IPC / IAPMO listed



THIS INFORMATION IS PROPRIETARY TO HOLDRITE AND IS SUBJECT TO CHANGE WITHOUT NOTICE. IT MAY NOT BE REPRODUCED IN PART OR WHOLE WITHOUT WRITTEN AUTHORIZATION.



CONVERTING MAKESHIFT METHODS INTO ENGINEERED SOLUTIONS™  
800-321-0316 OR 760-744-6944 / FAX: 760-744-0507 / WWW.HOLDRITE.COM  
spec\_424-S\_425-S\_426-S\_RevD

Product Submittal	
Job Name:	
Date:	
Part Number:	Qty:
Architect / Owner:	
Contractor:	
Notes:	