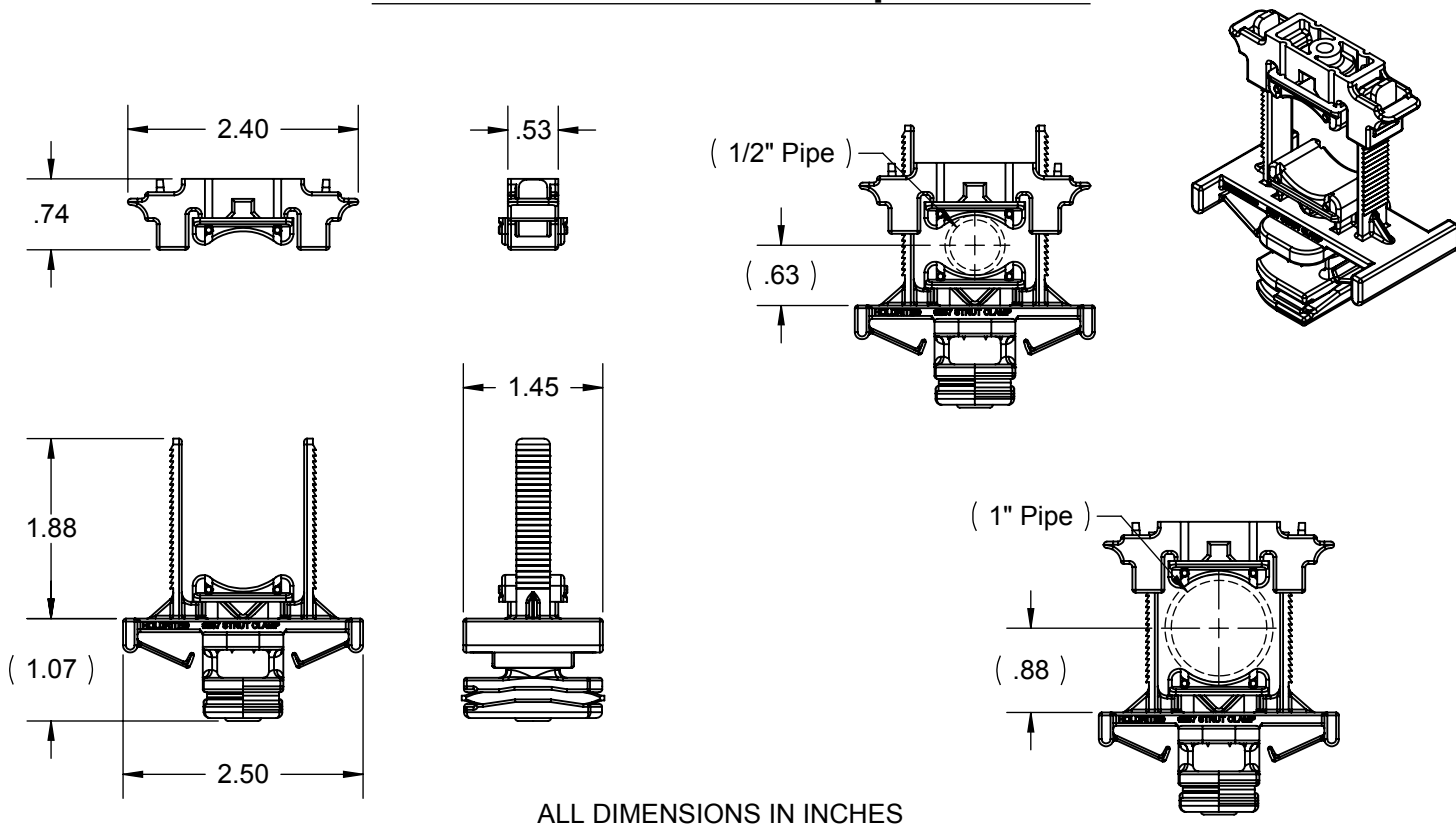


PRODUCT SPECIFICATION DRAWING

HOLDRITE® #Strut Clamp™ #257-P



The **HOLDRITE® Acoustical Strut Clamp™ #257-P** is a strong, sound rated variable closure clamp. Two acoustical inserts isolate the pipe from the support structure, reducing piping noise and vibration, while allowing normal pipe expansion and contraction. Clamp supports up to 1" CTS tubing sizes. Supports Copper, PEX, CPVC tubing, conduit, etc. Framework complies with UL94V-2 fire rating.

Product Information:

- Material:
 Top & Bottom Clamp: Nylon, medium blue, FR UL94V-2
 Pads: TPR, natural (off-white), 50 shore A
- Temperature range: -10°F to +180°F
- Load rating: 25 lbs in suspended mode, 200 lbs maximum in top mount
- UPC / IPC / IAPMO listed



THIS INFORMATION IS PROPRIETARY TO HOLDRITE AND IS SUBJECT TO CHANGE WITHOUT NOTICE. IT MAY NOT BE REPRODUCED IN PART OR WHOLE WITHOUT WRITTEN AUTHORIZATION.



CONVERTING MAKESHIFT METHODS INTO ENGINEERED SOLUTIONSSM

800-321-0316 OR 760-744-6944 / FAX: 760-744-0507 / WWW.HOLDRITE.COM
 spec_257-P_RevH

Product Submittal	
Job Name:	
Date:	
Part Number:	Qty:
Architect / Owner:	
Contractor:	
Notes:	