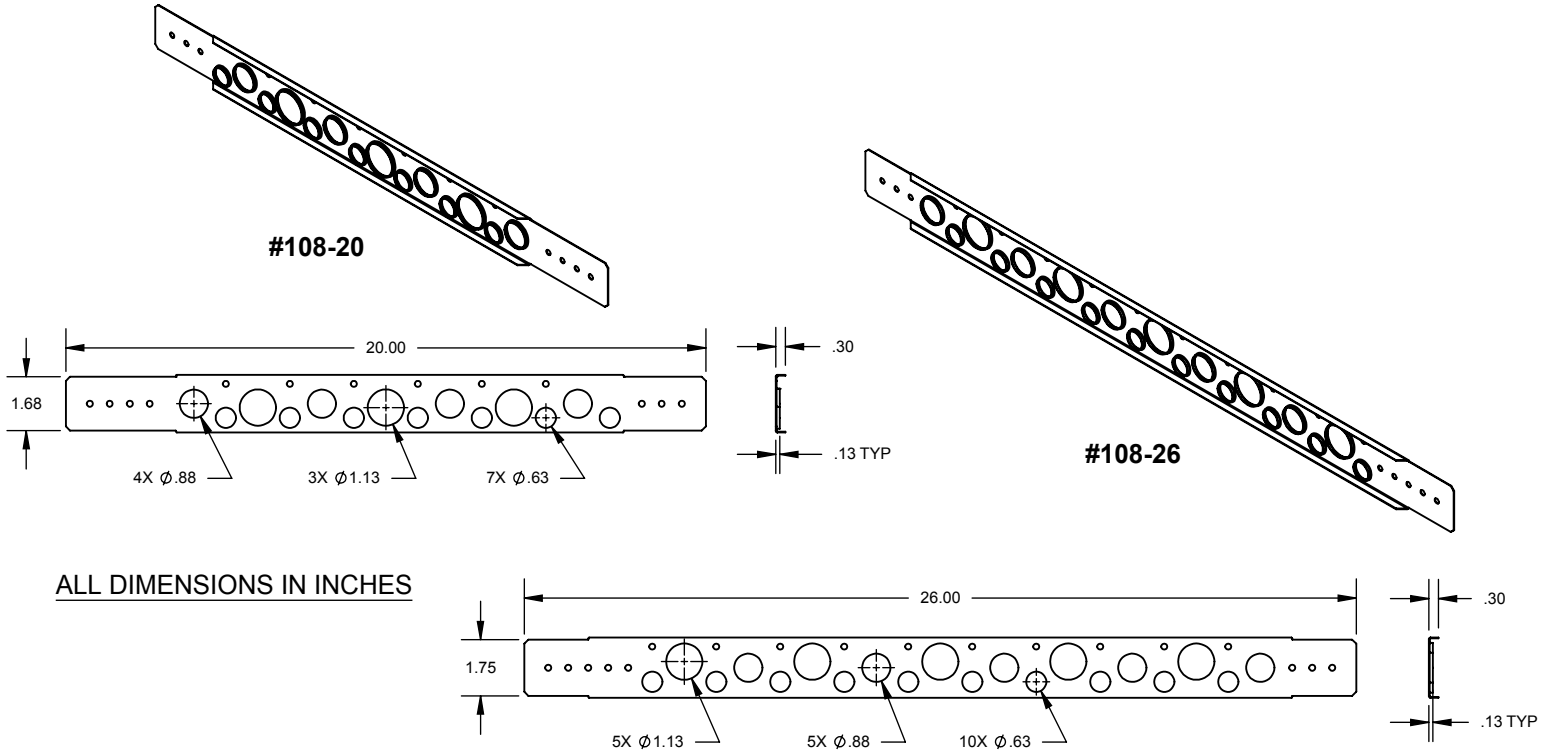


# PRODUCT SPECIFICATION DRAWING

## HOLDRITE® #108-20 & #108-26



The HOLDRITE #108-20 and #108-26 are Copper-Bonded™ steel brackets with holes for 1/2" pipes on 2" centers, holes for 3/4" and 1" pipes on 4" centers. Featuring a rolled-edge for added strength, and extruded holes for easier soldering. The #108-20 & #108-26 are designed to positions copper water supplies for urinals, lavatories and other fixtures. When soldering, heat the pipe, not the bracket.

### Product Information:

- Material: 24 gage CRS, Copper-Bonded™
- Load rating: 25 pounds
- UPC / IPC / IAPMO listed



THIS INFORMATION IS PROPRIETARY TO HOLDRITE AND IS SUBJECT TO CHANGE WITHOUT NOTICE. IT MAY NOT BE REPRODUCED IN PART OR WHOLE WITHOUT WRITTEN AUTHORIZATION.

# HOLDRITE®

CONVERTING MAKESHIFT METHODS INTO ENGINEERED SOLUTIONS<sup>SM</sup>  
 800-321-0316 OR 760-744-6944 / FAX: 760-744-0507 / WWW.HOLDRITE.COM  
 spec\_108-20\_-26\_RevF

Product Submittal	
Job Name:	
Date:	
Part Number:	Qty:
Architect / Owner:	
Contractor:	
Notes:	